

COST SUMMARY		
INTERIOR FURNISHING WORKS OF HEAD OFFICE OF ASSAM GRAMIN VIKASH BANK		
AT CHRISTIAN BASTI, G. S ROAD, GUWAHATI, ASSAM		
SUMMARY SHEET		
SL. NO	ITEM DESCRIPTION	AMOUNT (RS.)
A	INTERIOR FURNISHING WORKS	
1	CARPENTRY & INTERIOR WORKS	
2	ELECTRICAL & OTHER RELATED WORKS	
A	TOTAL OF INTERIOR FURNISHING WORKS	
B	NON - INTERIOR WORKS	
1	AIRCONDITIONING WORKS	
2	CIVIL & PLUMBING WORKS	
B	TOTAL OF NON- INTERIOR WORKS	
C	GRAND TOTAL (A + B)	

ESTIMATED BOQ FOR CIVIL WORKS					
SR.NO	DESCRIPTION	UNIT	QTY.	RATE	AMOUNT
A	INTERNAL CIVIL SCOPE OF WORKS				
1	DISMANTLING & DEMOLITION				
1	Dismantling 6" thk, brick wall carefully by using machine to cut & making good wall edges with 1:4 cement plaster including removal of debris from site.	S.F.T.	1850		
2	Dismantling and removing doors and windows with frame wherever required in a manner which facilitates easy fixing of new doors and windows without undue expense. the rate shall include removal of debris from site.	NOS.	18		
3	Dismantling marble, granite, kota, marble mosaic, ceramic tile flooring & dado including skirting and excavation up to 6" in plinth wherever required, etc. In a manner which facilitates laying of new flooring without undue extra expense. The rate shall include removal of debris from site.	S.F.T.			
4	Dismantling platforms & counters of marble, granite, kota, etc. Wherever required in a manner which facilitates laying of new flooring without undue extra expense. The rate shall include removal of debris from site.	S.F.T.	52		
5	Dismantling existing wall panelling, partitions and false ceiling with frame work . The rate shall include removal of debris from site	S.F.T.	12000		
6	Dismantling existing Electrical fittings, wires, Data cables, fittings etc. including removal of debris from site	L.S	1		
7	6" THK BRICK WALL WITH PLASTER- Constructing 6" thk. Brick wall in 1:6 cement mortar. Brick used shall be of best quality kiln burnt, having sharp edges & giving clear ringing sound when struck against each other. The rate shall be inclusive of plastering the walls with ¾" thk. 1:4 cement plaster on both sides. A 4 ½" R.C.C. Patti Beam shall run horizontally @ 3'-0" c/c. The	S.FT	1780		
8	Additional PCC in Flooring 1:2:4 for laying of tiles- While arriving at the rate for Flooring of Tiles, we have envisaged a PCC back filling of 3". If at any site, the thickness of PCC to be laid is coming more than 3", Bank / Architect should be informed before carrying out the work. The additional thickness will be paid in area measurement with a rate of Rs.12.50/Sft for every additional thickness of 1". The payment for the same will be considered only if the contractor	S.FT			
9	PLASTERING (Additional Plastering / Repaiing, patch up works)- Providing & applying cement sand plaster of 1:4 proportion to existing brick / RCC walls & ceilings in single coat of avg. ¾" thk. Finished rough to receive plaster of paris levelling coat. The rate shall include necessary scaffolding, etc. Complete	S.FT			
10	WATER PROOFING- Providing & laying water proofing treatment , by applying cement slurry mixed with water proofing cement compound consisting of applying (a) first layer of slurry of cement @ 0.488 kg/ sq.m mixed with water proofing cement compound @ 0.253 kg/ Sq.m. This layer will be allowed to air cure for 4 hours. (b) Second layer of slurry of cement @0.242 kg/ Sq.m mixed with water proofing cement compound @ 0.126 kg/ Sq.m. This layer will be allowed to air cure for 4 hours followed with water curing for 48 hours. The rate includes, preparation of surface, treatment and sealing of all joints, corners, junctions of pipes and masonry with	S.FT			
11	VITRIFIED TILES FLOORING, 600mm x 600mm type (approx.) - Providing and fixing VITRIFIED Tiles of approved make, shade and pattern as shown in the drwng. / as aproved by Bank/ Architect. In CM 1:4 in proper line and level with out spacers for maintaining the grid lines. Rate shall be inclusive of providing and laying necessary PCC and Cement Mortar for a thickness of 3" and joint filling compound of the same shade of the tiles and including pop covering on the new flooring for the protection of tiles with base covering plastic. NOTE : Recessed floor for 3M	S.FT.	500		
12	VITRIFIED TILE SKIRTING , 4" HIGH - Providing and laying VITRIFIED TILE skirting / risers of approved shade and make in CM 1:4 in proper line and level. The skirting should be flushed with the level of P. O. P. Punning on wall with 1/4" groove. Rate shall be inclusive of providing and laying necessary backing material and joint filling compound of the same shade of the tiles.	R.FT.			
13	VITRIFIED TILE DADO - Providing and fixing 24" x 24" approved quality, make & shade of VITRIFIED tiles as per pattern for dado from FFL using CM 1:4 in proper line and level. The rate shall include necessary backing material, water proofing and joint filling compound of the same shade as that of the tiles. All sanitary fittings shall be located on the joints or junctions of the	S.FT.	2600		

14	WASH BASIN COUNTER (2'-0" WIDE) (IN CORIAN FINISH) - Providing and laying Rcc platform of 2'-0" width (clear) and at 2'-8" height (top) above ffl, supported on wall as shown in the detail drawing and as directed by the architect. It shall then be finished with 12 mm thk Solid Surface (Corian) of approved shade and make in approved shape and style and as directed by the architect. Rate shall include the profile cutting and fixing of below counter wash basin and polishing the exposed edges of Solid Surfaces (Corian). A 2" fascia made out of Solid Surface (CORIAN) shall be provided in a curved manner or as directed by the architect as per the	R.F.T.	38		
15	PANTRY PLATFORM IN JET BLACK (WITH SINK & COCK) - Providing and laying platform of 2'-0" width (clear) and at 2'-8" height (top) above FFL. of approved 20 mm thick granite with bull nosed edges. It shall be supported on RCC slab with vertical brick wall supports. A 2" granite fascia should be provided below the bull nosed edge of granite platform. Rate shall be inclusive of making cutouts and polishing the edges for 18 " x 18 " S. S. Nirali sink without drain board (medium) or equivalent make). A flexible pipe from sink to the nahani trap shall be provided. Rate shall also include one jaguar continental C P SWAN NECK TAP with swinging casted spout	R.F.T.	16.75		
16	LUNCH PLATFORM (1' 6" WIDE) IN BLACK GALAXY - Providing and laying platform of 1'3" to 1'6" width (Clear width) and at 3 '6" height (finished top level) from floor of approved 20mm thick Granite with bull nosed edges. It shall be laid on BWR ply wood 19mm thick supported on Steel L angle bracket. The plat form should be cantilevered from the wall as shown in the drawing. 9" wide 19mm thick BWR ply wood to be provided below the entire lunch counter for tiffin and kitchen items. The ply surface to be painted with enamel paint after applying putty. OR alternatively the lunch platform to be made of RCC slab cantileved from the wall as per required shape and size and the Granite slab to be fitted over the slab properly with necessary	R.F.T.	24		
17	URINAL PARTITION IN GRANITE (BLACK GALAXY) - Providing and laying urinal partition of size (3'-0" x 1'-6" appox) of approved 20mm thick granite (DOUBLE SIDE POLISHED) with champhered and machine polished edge fixed as per the direction of the architect. It shall be supported on wall as shown in the drg. Rate shall include the profile cutting, fixing and polishing	S.F.T.	42		
18	GRANITE FRAMES TO TOILET / PANTRY DOORS - Providing & fixing 3/4" thk Granite for door frames in vertical jambs & soffit, with outer part of 4" width and inner part of 2" width fixed on walls with a difference of 1/2" for door shutter, including machine polish on exposed edges and rounding of corners, necessary backing material, and joint filling compound of same shade of	R.F.T.	160		
19	M.S.GRILLS (WINDOWS) - Providing and fixing MS Grills for windows / ventilators etc. using 12mm M. S. round or square bar grills at 4" C/C fixed as per the architects design. The edges to be fixed with 12x5mm MS flat. The rate shall be inclusive of all fittings etc. complete and with 2 coats of anti-rust paint	S.F.T.	66		
20	ALUMINIUM LOUVERS VENTILATOR FOR TOILETS (3'X 2' WITH CUT OUT FOR EXHAUST FAN), WITH ANODISED SECTIONS (As per Colour Specified by Bank) - Providing and fixing louvered Ventilators consists of 2" x 1" box type heavy duty(14 Guage) approved make aluminium anodised window frame. Adjustable alluminium louver system of same guage to have a 4" wide 6mm frosted glass for privacy. Provision for exhaust fan to be made and fixed frosted glass to be provided to adjustant to. Rate is inclusive all necessary fixtures and fittings, glass etc. complete in all respect.NOTE : Proper slots for exhaust fan should made in the lowered window in	S.F.T.	20		
21	ALUMINIUM SLIDING WINDOWS WITH ANODISED SECTIONS (As per Colour Specified by Bank) - Providing and fixing aluminium sliding powder coated / anodized window. The Frame should be 2" x 1 1/2" wide sections with tracks on all the sides & drain tray system for the bottom frame. The shutters should be of suitable 2" x 1" sections for top & bottom member & 1 5/8" x 1" for vertical with 6 mm. Thk. approved make clear float glass and beading shall be used. The tracks will be fixed on 2" x 1" aluminium BOX frame. - (Heavy Duty 2" thick frames(14 guage) - approved make). Note : rate shall be inclusive of necessary fittings, locks, handles, best	S.F.T.			
22	15mm DIA C.P.V.C. PIPE - Providing & fixing 15mm dia CPVC pipes for distribution in toilets / pantry including chase cutting, chase filling. The rate shall include all accessories like tees, unions, elbows, bends etc. required to make the system operational and complete	R.F.T.	486		
23	32mm DIA C.P.V.C PIPE - Providing & fixing 32 mm C.P.V.C pipes for distribution in toilets / pantry including chase cutting, chase filling. The rate shall include all accessories like tees, unions, elbows, bends etc. required to make the system operational & complete	R.F.T.	288		

24	DRAINAGE- Providing & fixing 3" dia PVC pipes of supreme/prince make or equivalent in position of required size with special fittings, traps, bends, ys, floor & nahani traps etc. Including chemical sealed joints as required at site making necessary connections with existing lines for w.c. & waste water lines, chambers to be constructed wherever necessary , unused lines for w.c. & waste water to be removed, the rate shall include all incidental work, cutting & making	RFT	242		
25	DRAINAGE- Providing & fixing 4" dia PVC pipes of supreme/prince make or equivalent in position of required size with special fittings, traps, bends, ys, floor & nahani traps etc. Including chemical sealed joints as required at site making necessary connections with existing lines for w.c. & waste water lines, chambers to be constructed wherever necessary , unused lines for w.c. & waste water to be removed, the rate shall include all incidental work, cutting & making	RFT	256		
26	SANITARY FITTINGS & FIXTURES- Providing & fixing following fixtures, the rate for the following shall be inclusive of all necessary fixtures, labour charges accessories & attachments to make them operational.				
27	FITTINGS - JAQUAR MAKE				
i	FOR CHAIRMAN'S & CONFERENCE ROOM TOILET				
a.	EWC - Rimless, Blind Installation Wall Hung WC with UF soft close slim seat cover, Hinges, Accessories set. Size : 360x500x335 mm. Cat No - KUS-WHT-35953BIUEFSM (Ivory Colour)	NOS.	2		
b	CONCEALED CISTERN - SINGLE PIECE SLIM CONCEALED CISTERN WITH FLOOR MOUNTING FRAME, INSTALLATION KIT AND "S-TYPE" DRAIN PIPE CONNECTION SET FOR WALL HUNG WC (WITHOUT FLUSH CONTROL PLATE). Cat No - JCS-WHT-2400ES	NOS.	2		
c	CONTROL PLATE KUBIX, Cat No.- JCP-CHR-352415	NOS.	2		
d	URINAL - URINAL (TOP INLET) WITH FIXING ACCESSORIES SET, SIZE:345X320X610 MM, Cat No.- URS-WHT-13257	NOS.	2		
e	SENSOR MINI CONCEALED TYPE FLUSHING VALVE FOR URINAL COMPLETE SET WITH INSTALLATION BOX (BATTERY OPERATED) Cat No - SNR-STL-51083	NOS.	2		
f	WASH BASIN - Counter Top Basin, Size:505x435x175 mm, Cat No.- SNR-STL-51083, KUS-WHT-35601	NOS.	2		
g	PILLAR COCK AUTO CLOSING SYSTEM WITH 65MM EXTENSION BODY & ELBOW OPERATED EXTENDED LEVER. Cat No - PRS-CHR-031165MFD	NOS	2		
h	KUBIX PRIME SENSOR FAUCET FOR WASH BASIN WITH PRE-MIXED WATER SUPPLY KIT (BATTERY OPERATED) Cat No - SNR-BCH-35019PMPK	NOS	2		
i	ANGULAR STOP COCK WITH WALL FLANGE, Cat No.- KUP-CHR-35053PM	NOS	2		
j	WASTE COUPL.32mm HALF THREAD, Cat No.- ALD-CHR-709	NOS	2		
k	BOTTLE TRAP (WITH INTERNAL PARTITION) 32mm SIZE WITH 300mm & 190mm LONG WALL CONNECTION PIPES & WALL FLANGE Cat No - ALD-CHR-7691300X190	NOS	2		
l	2 WAY BIB COCK WITH WALL FLANGE, Cat No.-KUP-CHR-35041PM	NOS	2		
m	HAND SHOWER (HEALTH FAUCET) WITH 8mm DIA 1.2 METER LONG FLEXIBLE TUBE AND WALL HOOK Cat No -ALD-CHR-573	NOS	2		
n	SOAP DISH HOLDER, Cat No.-ACN-CHR-1131N	NOS	2		
o	SINGLE TOWEL RAIL 600MM LONG, STAINLESS STEEL, Cat No.-AKP-CHR-35711PS	NOS	2		
p	ROBE HOOK TWO WAY (No. 1191N)	NOS.	2		
ii	FOR OTHER TOILET				
	SANITARY FIXTURES -PLAIN IVORY COLOUR				
	Providing & fixing following fixtures, the rate for the following shall be inclusive of all necessary fixtures, labour charges accessories & attachments to make them operational.				
	PARRY WARE / JOHNSON MAKE				
a	EWC - (S or P Trap according to site condition) - Cascade C0216 / C0217, Cistern Shell - C0711, Cistern Lid Dual Flush - C2054, Ultra Solid Seat Cover - C8140, Dual Flush fittings - C8099 (White)	NOS.	8		
b	URINAL - NEW MAGNUM - C0575 (White)	NOS.	9		
c	WASH BASIN - MAPLE COUNTER TOP WASH BASIN (GB 04) (White)	NOS.	13		
d	FITTINGS - JAGUAR CP CONTINENTAL ISI MARKED				
e	FLUSH VALVE FOR URINAL(No. 1093)	Each	9		
f	PUSH BUTTON STOP COCK FOR URINAL (No:077)	Each	10		
g	TWO WAY BIBCOCK (No. 041)	Each	8		
h	PILLAR COCK - SWAN NECK TAP (No. 123 or No:127) LONG BODY TYPE	Each	8		
i	STOP COCK (No. 069)	Each	21		
j	BOTTLE TRAP & WASTE COUPLING (No. 773 & 709)	Each	13		
k	1/2" FLEXIBLE PIPE	Each	30		
l	PVC NAHANI TRAP WITH COVER	Each	16		
m	JET SPRAY IN THE TOILETS (No:573)	Each	8		
n	TOILET PAPER HOLDER (No. 1151N)	Each	11		
o	ROBE HOOK TWO WAY (No. 1191N)	Each	8		
p	NAPKIN RING	Each	15		

q	SOAP DISH HOLDER	Each	13		
r	Soap Dispenser	Each	13		
28	MIRRORS IN TOILETS				
	Providing and fixing 6mm thk. of approved make clear mirror (First QUALITY) on 12mm thk. Marine ply. Mirror shall have a frame of 25mm x 25mm steam beach wooden moulding finished in mellamine. The rate shall be inclusive all necessary fixtures and fittings.	SFT	148		
TOTAL OF CIVIL & PLUMBING WORKS					

ESTIMATED BOQ FOR CARPENTRY WORKS					
SR.NO	DESCRIPTION	UNIT	QTY.	RATE	AMOUNT
	General Notes				
	The rate shall be include of frame work above false ceiling level. Measurement should be taken up to false ceiling level and visible portion only.				
	Basic rate of normal Laminate shall be considered as Rs 35/SFT				
	Basic rate of veneered wood Laminate shall be considered as Rs 75/SFT				
	Basic rate of Veneer shall be considered as 135/SFT				
	Basic rate of 6mm thk Corian shall be considered as Rs 800/Sft and that of 12 mm thk Corian as Rs 1100/Sft				
A	PARTITIONS				
1	FULLY GLAZED PARTITION - WITH TOUGHENED GLASS				
	Providing and fixing of Fixed Glass partition with 10mm thick toughened glass using Standard fittings of above - mentioned makes at the top and grouting at the bottom with U - Shaped Aluminium rails and EPDM gaskets including cutting, making holes in glass and fixing the fittings in floors, false ceiling etc. and making the same good with necessary screw, sealant wherever required. The top fittings to be fitted				
a	USING OZONE / HAFFLE / YALE / GODREJ MAKE FITTINGS	S.FT.	370		
2	FULL HT SOLID PARTITION				
	Providing and fixing partition framing shall consist of Heavy duty Aluminium Box Sections 50mm x 50mm @ 600mm c/c both ways Horizontally and Vertically. The vertical alternate frames to be fixed to the ceiling with necessary fixtures. The framing shall be finished with 8 mm thk. BWP ply on both side and finished with 1.00 mm thk. Laminate / Veneer finished with melamine polish. The shade of laminate / veneer and polishing finish to be got approved from the Architect. The skirting should be as per approved laminate/Veneer as per drawing and direction. Rate shall be inclusive of necessary hardware items, etc. Complete. The edge beadings with steam beach wood				
a	FINISHED WITH BOTH SIDE LAMINATE	S.FT.	710		
b	FINISHED WITH ONE SIDE LAMINATE & OTHER SIDE PLY	S.FT.	180		
c	FINISHED WITH BOTH SIDE VENEER	S.FT.	210		
d	FINISHED WITH ONE SIDE VENEER AND OTHER SIDE LAMINATE	S.FT.	18		
e	FINISHED WITH ONE SIDE VENEER-ONE SIDE PLY	S.FT.	480		
3	SEMI HT. SEMI GLAZED PARTITION IN LAMINATE				
	Specification same as 4 above but of low ht as per the drawing. All external surface and edges to be finish with 1mm thk laminate of approved shade & make. Providing and Fixing inserted Soft board / White boards / Glass maintaining the vertical surface lines and no extra measurements would be taken for the soft boards / white boards / Glass				
a	WITH BOTH SIDE LAMINATE	S.FT.	1388		
B	PANELLING				
1	PANELLING ON WALLS - with frame				
	Providing and fixing panelling on wall. Framing shall consist of Heavy duty Aluminium Box Sections 50mm x 25 mm x @ 600mm c/c Both ways horizontally and vertically on the wall.This framing would be covered by 8mm thk. BWP. Ply finished in approved 1.0 mm. Thk. Laminate / Veneer finished in melamine polish. Wooden moulding, lipping etc. as directed by the architect shall be provided wherever				
a.	WITH LAMINATE	S.FT.	602		
b.	WITH VENEER	S.FT.	180		
2	PANELLING ON COLUMNS - With out frame				
	Same as (1) Above work with out frame using 12mm thk BWP ply and surface finished with Laminate / Veneer as the case may be including polishine with melamine finish				
a.	WITH LAMINATE	S.FT.	1078		
b.	WITH VENEER (CRM, RM COLUMN PANELLING)	S.FT.	348		
3	PANELLING WITH 4 MM THK LECQUERED GLASS OF APPROVED SHADE	S.FT.			
	Providing and fixing of panelling with or without frame so as to receive a plain and even surface in exact plumb line , covered with 12mm thick BWP ply and finished with 4mm thick TEMPERED LECQUERED GLASS of approved shade and make as per the design . Rate shall be inclusive of 100 mm high skirting of siver metal laminate as and where required and as per the direction of the Consultant Architect/ Engineer.				
4	PANELLING WITH 6MM THK CORIAN OF APPROVED SHADE	S.FT.			
	Providing and fixing of panelling with or without frame so as to receive a plain and even surface in exact plumb line , covered with 12 mm thick BWP ply and finished with 6mm thick CORIAN of approved shade and make as per the design. Rate shall be inclusive of 100 mm high skirting of siver metal laminate as and where required and as per the direction of the Consultant Architect/ Engineer.				
3	PANELLING WITH 4 MM THK LECQUERED GLASS OF APPROVED SHADE	S.FT.	674		
	Providing and fixing of wooden panelling made out of salwood frame at 2' centre to centre bothways in section size 2"x2" & covered with 9mm thick commercial ply and finished with 6mm "Planileque" lacquered glass of approved shade and make as per the design . Rate shall be inclusive of 100 mm high skirting of siver metal laminate as and where required and as per the direction of the Consultant Architect/ Engineer.The item shall also include supply and fixing of vinyl sticker/ frosted film sticker of Bank of Baroda logo and the lettering for Learning Centre and other matter as directed by the archit as per consultation and finalisation from				
4	PANELLING ON WALL & CEILINGS WITH T.W BAFFLE/ BATTEN OF SIZE 18MM X 62.5MM PLACED @ 50MM C/C	S.FT.	108		
	Providing and fixing panelling on wall with staight T.W. batten, properly cleaned, levelled, and polished (so as to have an even and polished surface), of size 18mm x 62.5mm and height as mentioned in the detailed drawing and placed and fixed to walls/ partitions at an interval of 50mm c/c or as mentioned in the detailed drawing. Rate shall be inclusive of providing PU finish on to all the surfaces of the				
5	PANELLING WITH 12 MM THK CORIAN OF APPROVED SHADE	S.FT.	14		
	Providing and fixing of panelling with frame so as to receive a plain and even surface in exact plumb line , covered with 6 mm thick Marine ply and finished with 12 mm thick CORIAN of approved shade and make as per the design. Rate shall be inclusive of necessary plywood boxing and frames as required so as to cover the same with approved shade of corian as per design and pattern as mentioned in the detailed drawing and as directed by the architect. Basic rate of Corian to be considered as Rs 1100/ sft				
6	PANELLING WITH 4mm thk polished SS strips	RFT	882		
	Providing and fixing panelling on wall/ partition with 4mm thk polished SS strips of 304 grade - Bottomline make at palces as mentioned in the drawing and as directed by the architect. The rate includes cost of adhesives like fevicol,silicon, nails, screws and labour charges etc. all as per instructions of EIC / Architect				
7	PANELLING WITH 8/9MM THK MDF JAALI OF APPROVED SHADE AND PATTERN/ DESIGN IN CNC CUT	S.FT.	68		
	Providing & fixing of approved shaped and design CNC cutting 8/9 mm thk MDF board panels fixed to walls/ partitions and in places as directed by the architect (As per design approval from the architect) To be finished with putty finish spray paint (approved colour)				
D	CARPENTRY WORKS				
1	LOW HT. STORAGE (1'-6" DEPTH X 2'-6" HT.) (BACK CREDEENZA)				
	Providing and laying low ht. Storage units of sizes as mentioned above. They shall consist of a top of ¾" thk. BWP. Ply, ¾" thk. BWP. Ply sides and base, ¾" thk. Marine ply back, ¾" thk. BWP. Ply shutter with self closing higes of hafele make(full ovel open) & PVC lipping matching with approved laminate/Veneer on all the edges. All external surfaces to be finished in 1.0 mm laminate (suede finish)of approved make. Division of shutters shall be made equally according to the length of the storage. A ¾" thk. Fixed BWP. Ply shelf on batterns shall be provided at 16" intervals from the base. Suitable wooden moulding (as per Architects design) with mellamine shall be provided to the edge of the storage top. All inner surfaces including shutters shall be finished with 0.80mm thk laminate of approved shade and colour. Rate shall be inclusive of all necessary approved fittings like hinges(Hafele make), locks(Godrej make/Vijayan), 3" long brushed finish handles(kich -neki make-CHR103),tower bolts and any miscellaneous hardware items.				

a	2'-6" HIGH IN LAMINATE FINISH	S.F.T	1080		
b	2'-6" IN VENEER FINISH	S.F.T	92		
c	4'-0" HIGH IN LAMINATE FINISH	S.F.T			
2	FULL HT. STORAGE IN LAMINATE FINISH	S.F.T.	296		
	Providing and fixing storage units of full height as per drwng. They shall consist of 18mm thk.BWP. ply top, sides,back, bottom, shelves and shutters. The bottom of the storages shall be at 3" from FFL. The top of storages shall touch the false ceiling level or 7'-0" ht. The shutter with box type hinges of approved make & steam beach lipping finished with melamine with approved laminate on all the shutter edges. Division of the shutters shall be made equally according to the length of the storages (as approved by Bank/ architect). All the external surfaces shall be finished with 1.0mm thk. Laminate (suede finish) of approved make. 18mm thk. BWP. Ply shelves removable type supported on side steam beach wood battens on both sides at 16" interval (approximately / divided equally) shall be provided. All inner surfaces shall be finished with laminate including the shutters. Rate shall be inclusive of all necessary approved fittings like hinges, locks, 150mm long SS brushed finish handles,tower bolts, locks and any necessary hardware items. The top ply edge should be fitted with				
3	OVERHEAD STORAGE IN KITCHEN IN LAMINATE FINISH	S.F.T.	38		
	Providing and fixing over-head storages which consist of 18mm thk. BWP. ply shutter with box type hinges of approved make & Steam beach lipping with approved laminate on all the edges. The shutter should be made of 18mm thk. BWP. Ply top, sides, rear and bottom. All the external surfaces shall be finished with 1.0mm thk. Laminate (suede finish) of approved make. Division of the shutters shall be made equally according to the length of the storage. The edges of the shutters shall be provided with steam beach lipping. One Ply shelf of 18mm thick BWP.ply removable type supported on side steam beach wood battens on both sides (divided equally) shall be provided. All inner surfaces shall be finished with laminate including the shutters.. Rate shall be inclusive of all necessary approved fittings				
4	SHUTTERS BELOW GRANITE COUNTERS IN PANTRY/ KITCHEN IN LAMINATE FINISH	S.F.T.	128		
	Providing and fixing 19mm thk. BWR ply shutters with ply frame, skirting gap as shown in the drg. shall be maintained. Division of shutters shall be made equally according to the length of the counter. Shutters shall be hinged to the framework and finished with 1.0mm thk. Laminate (suede finish) of approved shade from outside, applied with approved oil paint from the inside and edges of shutters with steam beach lipping. Rate shall be inclusive of all necessary approved fittings like hinges, ball catch, handle, and any necessary hardware				
5	SIDE / CORNER TABLES				
	Providing and making corner / side tables of above mentioned size as per drwng. Table top shall consist of 12 mm. Thk.float glass with champered edge(bevelled edge) fitted to the frames with necessary arrangement. The base shall be made up of Steam beach wood frame as directed by the the Architect. It should be with 4 Nos of 35mmx35mm for vertical members tied to each other with horizontal				
a.	CORNER TABLES(1'-6" x 1'-6" x 1'-6"HT.)	NOS.	16		
b.	CENTER TABLES (1'-6" X 2'-6" X 1'-6"HT)	NOS.	4		
6	PIN-UP BOARDS	S.F.T.	188		
	Providing and fixing pinup boards. It consist 12mm thick soft boards of good density to be mounted over 12mm thick BWP. ply. The soft board will be covered with a plain fabric (approx Rs.250 /Rmts. of Dark Blue Colour) from front and edges. Suitable steam beach moulding 25mm x 25mm size to be fixed on all four sides and will be finished in melamine polish. Note : Only soft bords provided on other than the partitions will be measured and soft board made in the partitions will be the part of the partition measurement (rate) and not consider				
7	CONFERENCE TABLE WITH 6 MM THK CORIAN TOP AS PER DESIGN				
	Providing and making a table of over all size of top as mentioned above. It shall consist of 18mm thk. BWP. Ply top as per design finished with 6mm thk Corian of Merino Hanex Solid Surface of approved shade and colour, supported on 8-12 nos numbers of mullion boxes, as per design of size 18" x 10" made of 18mm thk. BWP finished with 1mm thk laminate of approved shade and Ply inter connected with boxing 10" x 6" (as approved by the architect) on top(below table top) and at bottom (on floor level), finished in laminate of approved shade. Table top to be finished with 6 mm thk Corian of Merino make- Hanex Solid Surface of approved shade and colour and other external surfaces with 1.0 mm thk laminate of approved shade.This supporting boxes shall be then covered with apron on all sides as per design with 19 mm thk plywood finished with approved shade of laminate. Additional legs/ supports in 19 mm thk BWP Ply and finished with approved shade of laminates to be provided at distances as mentioned in the detailed drawings and as per the direction of the				
a.	17 SEATER CONFERENCE ROOM TABLE - (5' x 20'-0") with Corian Table Top as per Design	NOS.	1		
8	6 SEATER DISCUSSION TABLE - (6'-0" x 3'-6" X 2'6"HT)	NOS.	1		
	Providing and making a table of over all size of top as mentioned above. It shall consist of ¾" thk. BWP. Ply top as per design (double edge on outer edge with 1 1/2" thk half round moulding on the edges) supported on ¾" thk. BWP. Ply verticals.supported on wooden base (as designed by the architect). Suitable wooden moulding as architect design with mellamine shall be provided to the edge of the top. All				
9	RECEPTION DESK DESK - (8'6" X2'6") with Corian Top AND FRONT BOXING AS PER DESIGN				
	Providing and making a table of over all size of top as mentioned above and as per design given. It shall consist of 18mm thk. BWP. Ply top finished with 6mm thk Corian of approved shade and make of MERINO Make with edge moulding and a 3 drawer unit with locks, handles etc. on the end of the table as shown in the drawing.(as approved by the architect). The drawer unit finished top should be at a lower level of 25mm below the finished counter top. The front modesty panel should be finished 18 mm BWP. ply with laminate (as approved colour / shade) with Metallic laminate. The customer side top should be at a height of 1 feet with 18mm thick ply above which GALAXY MARBLE (Engg.Marble) of approved colour to be provided. The inside of drawer units, and the tables should be finished with				
a.	IN CORIAN & LAMINATE FINISH	RFT	9		
10	TABLES/ WORK STATIONS/ COUNTERS				
a	OFFICERS/ CLERICAL WORK STATION COUNTER 2'-0" WIDE WITH PEDESTAL	R.F.T.	338		
	Providing and laying a running counter with pedestal ,key board tray , Wire manager, CPU Trolley & Foot Rest at every 4'-0" length for 2'-0" over all size of top . It shall consist of 3/4" thk. Comm. Ply top as per design (double edge on the front and back with 1 1/2" thk half round moulding on the edges) supported on ¾" thk. Comm. Ply verticals at every 4'-0" length. Suitable (as per Architects design) wooden moulding with mellamine shall be provided to the edge of the top. The top of the counter and all other external surfaces to be finished in 1.0 mm. thk. Laminate of approved shade & make. The Running Counter should also be provided with- 1no. Computer key board tray (either ready made / made to the order as per architects design using 3/4" thk comm ply base and 1" x 2" round edged moulding on the front fixed with telescopic/double(Hafele/ebco make) approved sliders) , 1no. pedestal(Modular Type) of size 392mm(L)x 450mm(D) x 680mm(H), either fixed or on castors . The pedestal/ drawer unit shall consist of two numbers of drawers and one filing box mounted on ebco/ haffle/ hettick make metal telescopic channel on either sides. It shall be provided with central lock mechanism with keys and handles of ebco/ haffle/ hettich make in the front to facilitate opening and closing of drawers .Drawers shall be made of 12mm ply finished with laminate outside & wood lipping, mounted on drawer slides. Rates should include all hardware like castors, brass hinges, ballcatches, fully extendable drawer slides, locks, handles etc., of approved make. All exposed edges to have wooden lipping stained to				
b	CHAIRMAN'S TABLE- Overall size : 8'-0" x 3'- 6"	NOS	1		
	Supply and fixing of Chairman's table with top made up of 25mm thk ply and finished with 4.0mm thk veneer in mellamine polish of approved shade and make on top as approved by the architect and wooden beading/ moulding all round melamine polished. The table to include pedestal with two pencil drawers of 100mm deep & a file shutter of 450mm, wire manager, an keyboard tray, CPU trolley. The works to include all hardware like castors, brass hinges, ballcatches, fully extendable drawer slides, locks, handles etc. of approved make.Locks to be of single control type. The front apron of the table shall be fixed with 8mm thk acrylic sheet fixed on 4 nos S.S Studs as per design and as directed by the architect. The clear acrylic sheet on the front apron of the table to be fixed with coloured logo of the bank as per design and size. All exposed surfaces to be finished with 4.0mm thk veneer in mellamine polish of approved shade and make and all inner surfaces including the inner surfaces of the drawers and side cadenza should be finished with 0.80mm thk balancing laminate of plain ivory colour in matte finish. Rates shall also be inclusive of 12 mm thk clear glass with bevelled edges on all sides to be				
c	General Manager's Table - Overall size : 6'-0" x 3' 0" IN LAMINATE FINISH	NOS	3		

	Supply and fixing of table with top made up of 19mm thk ply finished with veneered wood laminate of 1.0mm thk (basic cost of veneered laminate- Rs 75/ sft) on top as approved by the architect and wooden beading/ moulding all round melamine polished. The table to include two pencil drawers of 100mm deep & a file shutter of 450mm, a wire manager, a keyboard tray and 250mm wide CPU trolley. The works to include all hardware like castors, brass hinges, ballcatches, fully extendable drawer slides, locks, handles etc. of approved make. Locks to be of single control type. All exposed edges to have wooden lipping stained to match the desk and melamine finished. Design and detail of the table shall be as per Architects design. All the visible external surface to be with 1.0mm thk veneered wood laminate (basic cost of veneered laminate- Rs 75/ sft) of approved shade and make. Rates shall also be inclusive of 12 mm thk				
d	Chief Manager's Table - Overall size : 5'-0" x 2' 6" IN LAMINATE FINISH	NOS	12		
	Supply and fixing of table with top made up of 19mm thk ply finished with laminate of 1.0mm thk on top as approved by the architect and wooden beading/ moulding all round melamine polished. The table to include two pencil drawers of 100mm deep & a file shutter of 450mm, a wire manager, a keyboard tray and 250mm wide CPU trolley. The works to include all hardware like castors, brass hinges, ballcatches, fully extendable drawer slides, locks, handles etc. of approved make. Locks to be of single control type. All exposed edges to have wooden lipping stained to match the desk and melamine finished. Design and detail of the table shall be as per Architects design. All the visible external surface to be with 1.0mm thk laminate of approved shade and make. Rates shall also be inclusive of 12 mm thk clear				
e	Sr. Officer's Table - Overall size : 5'-0" x 2' 6" IN LAMINATE FINISH	NOS	7		
	Supply and fixing of table with top made up of 19mm thk ply finished with laminate of 1.0mm thk on top as approved by the architect and wooden beading/ moulding all round melamine polished. The table to include two pencil drawers of 100mm deep & a file shutter of 450mm, a wire manager, a keyboard tray and 250mm wide CPU trolley. The works to include all hardware like castors, brass hinges, ballcatches, fully extendable drawer slides, locks, handles etc. of approved make. Locks to be of single control type. All exposed edges to have wooden lipping stained to match the desk and melamine finished. Design and detail of the table shall be as per Architects design. All the visible external surface to be with 1.0mm thk laminate of approved shade and make. Rates shall also be inclusive of 12 mm thk clear				
f	SIDE CADENZA- OVERALL SIZE 3'-3"-3'-6" X 1'-3" X 2'-6"				
	Providing and laying side cadenza of above sizes and as mentioned in the drawing. It shall consist of 3/4" thk plywood top, side and bases and 1/4" thk back. The edges on top shall be provided with suitable (as per architect's design) wooden moulding with melamine finish. A pair of 3/4" wood shutters will be provided which will slide on 1" x1" wooden battens above skirting. 1" a3/8" deep vertical depression shall be made on each shutters to act as handle as shown in the drawing. All external surfaces should be finished in 1.0mm laminate / veneer of approved shade and make. A 3/4" thk fixed ply wood shelf on battens shall be provided at 16" intervals from the base. Rates shall be inclusive of necessary approved fittings like sliding rollers, locks, tower bolts and any other misc. hardware items				
i	IN LAMINATE FINISH -OVERALL SIZE 3'-6" X 1'-6" X 2'-6"	NOS	19		
ii	IN VEENERED WOODLAMINATE FINISH -OVERALL SIZE 3'-6" X 1'-6" X 2'-6"	NOS	3		
ii	IN VEENER FINISH - OVERALL SIZE 4'-0" X 1'-6" X 2'-6"	NOS	1		
11	DINING TABLE OF OVER ALL SIZE- 3'-6" DIA IN LAMINATE FINISH	NOS			
	Providing and making a table of over all size of top as mentioned above. It shall consist of 3/4" thk. BWP. Ply top as per design (double edge on outer edge with 1 1/2" thk half round moulding on the edges) supported on 3/4" thk. BWP. Ply verticals supported on wooden base (as designed by the architect). Suitable wooden moulding as architect design with melamine shall be provided to the edge of the top. All				
12	SHUTTERS WITH FRAME FOR ELECTRICAL PANELS	S.FT.	44		
	Providing and fixing 18mm thk. Com ply shutters with same ply frame. Division of shutters shall be made equally according to the length. Shutters shall be hinged to the framework and finished with 1.0mm thk. Laminate of approved colour and shade on outer side and inside finished with 2 coats of enamel paint of app colour and shade. Rate shall be inclusive of all necessary approved fittings like hinges, ball catch, 150 mm long SS Brush Finish handle, tower bolts, locks, Aluminium powder coated air vent grills and necessary hardware fittings				
13	KEY BOX	NOS.	2		
	Providing and fixing key box of size 1' 6"x1' 6"x 6" with all sides and back with 18mm thick BWP. Ply wood and lockable glass shutters in 18mm ply, with 5 mm glass. Necessary hooks to be provided inside the box. All exposed areas and inside to be finished with 1 mm thick laminate of approved shade. The edges of shutter and box to be lipped with steam beach beeding polished with melamine. Rate shall be inclusive of all necessary approved fittings like hinges, locks, hooks etc. and any necessary hardware items.				
14	BOXING FOR ROLLING SHUTTER				
a.	WITH LAMINATE FINISH	S.FT	118		
	Providing & fixing 3/4" BWR ply boxing for the rolling shutters. Necessary wooden framing shall be provided. The boxing shall be finished on all exposed sides by 1mm laminate and internally with enamel paint. Note : rate shall include all necessary hardware fittings, etc				
b.	PLY BOXING	S.FT	112		
	Providing & Fixing 3/4" BWR ply boxing for the rolling shutters / separation for boxing with out laminate finish above false ceiling painted with Enamel paint. Necessary framing shall be provided				
15	TRAP DOOR FOR ROLLING SHUTTERS WITH LAMINATE	S.FT	33		
	Providing and fixing trap doors consisting of 1/2" thk. BWP. ply shutters with a clear opening of 4.5" opening for smooth operation of shutters and rest is closed with mirror screws (for opening for servicing). The shutters shall be finished with approved 1mm laminate, frame of 2" x 1 1/2" wood sections shall be provided for proper support and strength. Rate shall be inclusive of necessary fittings like				
16	FALSE CEILING IN PLY WITH PAINT FINISH (PAINTING WILL BE MEASURED SEPARATELY)	S.FT.	56		
	Providing and fixing 12mm ply with necessary support from ceiling of 2"x2" Sal wood members provided at 2'-0" c/c and finished with paint of approved shade with necessary primer etc. as per the approved design. (Painting will be measured separately)				
17	FALSE CEILING IN PLYWOOD AND FINISHED WITH LAMINATE FINISH	S.FT.	98		
	Providing and fixing wooden ceiling with 12mm ply and necessary support from ceiling of 2"x1" Sal wood members provided at 2'-0" c/c as per design and as directed by the Engineer-in-charge/ architect				
18	FALSE CEILING IN PLY WITH VENEER IN MELLAMINE POLISH	S.FT.	70		
	Providing and fixing 12mm ply with necessary support from ceiling of 2"x1" Sal wood members provided at 2'-0" c/c and finished in veneer with mellamine polish of approved shade				
19	NOTICE BOARD	SFT.	96		
	Providing and fixing notice board size as required, directed (matching with the panel of the room) with openable shutter on the front. Made out of 19mm thick Steam beech veneered block board frame and outer frame in 2 1/2" x 1 1/2" Steam beech wood section, concealed hinges, locking arrangement, and glass of (5.5mm thick) with rear panel of SITATEX board, covered with fabric of approved shade. (Basic rate Rs.100/-per mtr, 48" width), fixed to back ply 6mm thick. All complete including melamine polish in stain of required shade. All complete as per approval of the Architect / employer				
E	DOORS				
1	ENTRANCE DOORS - WITH TOUGHENED GLASS (PATCH FITTINGS)				
	Providing and fixing frameless fully glazed 12mm thk toughened float glass fixed with necessary patch fittings (Dorma make) including cutting, making holes, cutouts in the glass of required shape and size to acBWPodate fittings and fixing the fittings in floors, soffits, jams including necessary fixtures, screws, sealant wherever required and SS cover over patch fittings. Rate shall include necessary etching film / LOGO, approved patch fitting locking systems, 1 pair of 12" long S. S. (C Shape) Handles of approved make, floor springs, and any necessary hardware items. (ABOVE MENTIONED MAKES Top Pivot, Top Patch Fittings, Bottom Patch fittings, Floor Spring, Corner lock with strike plate and Euro Profile Cilinder, C Shape Handle 25mm dia X 300mm length)				
a.	DOORS - WITH OZONE / HAFFLE / YALE / GODREJ MAKE FITTINGS	S.FT.	162		
2	DOORS ON WOODEN PARTITION / BR. WALLS WITH OR WITHOUT VISION PANEL				
a	SOLID DOORS- IN LAMINATE FINISH (with hardware fittings MAKE EVERITE / GOLDEN /HARDWIN /EVEREST) (WITH OR WITH OUT VISION PANEL AS PER DIRECTION OF the ARCHITECT				

	Providing and fixing solid doors of sizes as shown in the drawing. The door shutter shall of 35 mm thick flush shutter of approved make and finished with 1mm thick approved laminate on both sides. The edges finished with steam beach lipping. A door frame of 3.5" x 2" steam beach section shall be provided finished in mellamine. Rate shall include Dead lock (Godrej Make), floor springs / door closure (as the case may be), door stopper, a pair of handles 12" SS Brushed finished, 5" hinges 4 Nos., buffers, tower bolts, etc with necessary				
i	With Door Closure	S.F.T.	168		
b	SOLID DOORS- IN VENEER FINISH (with hardware fittings MAKE EVERITE / GOLDEN /HARDWIN /EVEREST) (WITH OR WITH OUT VISION PANEL AS PER DIRECTION OF the ARCHITECT				
	Providing and fixing solid doors of sizes as shown in the drawing. The door shutter shall of 35 mm thick flush shutter of approved make and finished with Veneer finished with melamine polish on both sides. The edges finished with steam beach lipping. A door frame of 3.5" x 2" steam beach section shall be provided finished in mellamine. Rate shall include Dead lock (Godrej Make), floor springs / door closure (as the case may be), door stopper, a pair of handles 12" SS Brushed finished, 5" hinges 4 Nos., buffers, tower bolts, etc with necessary				
i	With Door Closure with ONE SIDE LAMINATE AND OTHER SIDE VEENER IN MELLAMINE POLISH	S.F.T.	18		
ii	same as above as 3 (b) but finished with one side laminate and one side veneer in mellamine polish with Door closer	S.F.T	18		
c	TOILET DOORS (2'-6" X 7'-0" SIZE) (with hardware fittings MAKE EVERITE / GOLDEN /HARDWIN /EVEREST)	S.F.T	262		
	Providing and fixing solid doors of sizes as shown in the drawing. The door shutter shall of 35 mm thick flush shutter of approved make and finished with 1mm thick approved laminate on both sides. The edges finished with steam beach lipping with melamine polish. A door frame of 2" x 3.5" Steam Beach wood section shall be provided finished in enamel paint. Rate shall include approved door closure, door stopper, a pair of handles 9" SS Brushed finished, 5" hinges 4 Nos., buffers, tower bolts, etc with necessary hardware items and with or				
F	FALSE CEILING AND POP WORKS				
1	FALSE CEILING - GYP BOARD	S.F.T.	5350		
	Providing and fixing ½" thk. Gypsum India board false ceiling at levels as shown in the drg. From FFL. Rate shall be inclusive of all Gypsum India components contained G.I. perimeter channels of size 0.55 thick having one flange of 20mm and another flange of 30mm and a web of 27mm alongwith perimeter of ceiling, screw fixed to brickwall/partition with the help of nylon sleeves and screws, at 610mm centres. The suspending G.I.intermediate channels of size 45mm, 0.9mm thick with two flanges of 15mm each from the soffit at 1220mm centres with ceiling angle of width 25mm x 10mm x 0.55 thick fixed to soffit with G.I. cleat and steel expansion fastners at every 610mm c/c. Ceiling sections of 0.55mm thickness having knurled web of 51.5mm and two flanges of 26mm each with lips of 10.5mm are then fixed to intermediate channel with the help of connecting clip and in direction perpendicular to the intermediate channel at 457mm centres. 12.5mm tapered edge Gypboard is then screw fixed to ceiling section with 25mm drywall screws driver or drilling machine with suitable attachment. The boards are to be jointed and finished so as to have a flush look which includes filling and finishing the tapered and square edge of the boards with jointing compound & joint paper tape. Rate shall be inclusive of Cut outs for A/c machiness, spot lights, fire detectors, A/C Soffit fans and accessories etc. All fixtures should adhere to the respective manufacturer's guidelines. Material to be used as per specification.				
2	WALL PUTTY	S.F.T.	6000		
	Providing and applying Wall Putty on walls and columns (average 12mm thk). The rate shall include scrapping, levelling and preparing the surface. The rate shall be inclusive of all types of grooves above the skirting, around the window and door frames. If the average thickness is found to 8mm~6mm or less, then Wall Putty will be considered as pulti finish - at the rate of - 50% the quoted rate (Make: Birla / Asian / ...)				
3	POP PLUNING FOR GYPSUM CEILING	S.F.T.	5200		
	Providing and applying POP Pluning on Gypsum Cming (average 6mm thk). The rate shall include scrapping, levelling and preparing the surface. The rate shall be inclusive of all types of grooves above the skirting, around the windows and door frames. If the average thickness is found to be 4mm or less than POP will be considered as a putti finish and the rate shall be 50% of the quoted rate				
4	MODULAR FALSE CEILING - ARMSTRONG / equivalent make	S.F.T.	3400		
	Providing and fixing Armstrong (Fine Fissured Micro Look with Tagular Edge using 15mm Grid sections) false ceiling of size 24"x24" at levels as shown in the drwg. from FFL. Rate shall be inclusive of providing the total system with installation etc.. The contractor has to maintain all tiles in good order and replace the defected tiles (at his own cost) before handing over the site for Branch Operations (till ...)				
G	PAINTING WORKS				
1	PLASTIC EMULSION	S.F.T.	6000		
	Providing & applying plastic emulsion paint on walls, columns & ceilings. The rate shall include scrapping, levelling & preparing the surface. Primer coat + (minimum) 3 coats to get evenly spread quality finish (roller finish) of approved make , quality & finish shall be provided.				
2	LUSTRE PAINT IN GYPSUM FALSE CEILING	S.F.T.	5200		
	Providing & applying Luster Paint on walls, columns & ceilings. The rate shall include scrapping, levelling & preparing the surface. Primer coat + (minimum) 3 coats to get evenly spread quality finish (roller finish) of approved make, quality & shade shall be provided.				
3	DISTEMPER PAINT	S.F.T.	8000		
	Providing & applying distemper paint of approved make, quality & shade as per the architects direction on wooden or metal surfaces. The rate shall include scrapping, levelling & preparing the surface, primer coat.				
4	ENAMEL PAINT IN ROLLING SHUTTER	S.F.T.	678		
	Providing & applying 1 st quality oil paint of approved make, quality & shade. The rate shall include scrapping, levelling & preparing the surface with primer quote.				
5	TEXTURED FINISH IN RECEPTION AREA	S.F.T.	198		
	Providing & applying a coat of textured finish on walls and columns. The rate shall include scrapping, levelling & preparing the surface. Primer coat + (minimum) 3 coats of approved make, quality & shade shall be provided.				
H	MISC. ITEMS				
1	ROLLER BLINDS, VERTICAL BLINDS, FILM etc.				
a	VERTICAL BLINDS	S.F.T.	1380		
	Supplying and Fixing VERTICAL BLINDS Vista/Mac/Parytex make. Blinds made using 100% polyester with acrylic polymer coating, of the shade and colour as approved by the Arcitect/ Bank ffficial(only for external windows. In case of front facia necessary approval need to be obtained).				
b	ROLLER BLINDS-	S.F.T.	498		

	<p>Providing and fixing of Vista or Equivalent Roller Blinds having openness factor 3%, Weighted composition 75% PVC,25% Polyester with fabric thickness 0.6 to 0.7mm, 250cm of maximum width at 470 gsm(+ or - 5%) fabric weight conforming to the Fire resistance NFPA 701,BS 5867 part - 2 type A, with required colour fastness to light grade of 6 & UV Blockage up to 97% and Hardware consist of Control unit, Idler, Head rail, Roller tube, Bottom rail, Operating chain and Fixing brackets & clamps complete as per the hardware specifications as described below .The cost inclusive of supply,transport and fixing of Roller Blinds all complete making good to window /opening as per the directions of Engineer-In- Charge.</p> <p>Control unit: The Control unit is made of high strength reinforced plastic. The clutch is of wrap spring design. High carbon steel springs are provided to transmit motion from driving to driven members of clutch Mechanism. Clutch is operated directionally by the use of endless beaded chain. Clutch never needs any Adjustment.</p> <p>Idler: Idler is of high strength reinforced plastic, consisting of a center shaft. The idler is mounted on the Bracket by using a plastic lock. The metal sleeve inside the plastic lock provides bearing surface for the Center shaft, which rotates freely, providing smooth, quiet and long wearing operation.</p> <p>Roller tube: It is an anodized extruded tube of high strength alloy. Control unit and Idler are fixed to the either ends of the tube. The fabric of the blind is fitted to the tube with heavy duty adhesive tape.</p> <p>Bottom rail: It is an aluminum extruded rail with a groove for fixing the fabric and power coated in white. It is fixed to the bottom of the fabric and the purpose of it is, to keep the fabric in tension and straight. The fabric is fitted to the tube using plastic insert. The end caps of the tube are ABS.</p> <p>Operating chain: This is made of 4.5mm plastic beads molded on 2.2mm thick polyester chord. The pitch of the beads is 5mm. The chain drives the sprockets of the controlunit to close and open the blind. The pitch of the chain corresponds to the sprocket in perfect match for trouble free operation.</p> <p>Fixing brackets & clamps: These are used to fix the blind to the wall or ceiling. 'L' bracket is made of mild steel and zinc plated. The clamp is made up of spring steel of thickness 0.7mm and zinc plated.</p> <p>Roller tube : It is Aluminum alloy Extruded grooved tube, which is anodized. Size- 32mm- O.D.; weight - 0.27 ke/mtr / Size- 38mm- O.D.; weight - 0.38 kglmtr Alloy & temp- 6063-T6 Fabric is fitted on the tube with double sided tape.</p>				
2	3M SYNTHETIC DOOR MATS (4'-0" x 2'-0")	NOS.	12		
	Providing & laying in place Synthetic Door Mats (3M) of sizes not less than 4' x 2'.				
2	POSTERS & DANGLERS	NOS.	88		
	Providing & Fixing the Poster Holders & Dangles (Supplied by the Banks Vendor) as directed by the Bank Staff / Architect on the walls/ panels / glazing etc. complete in all respect with-out spoiling the décor.				
3	Frosting film/Sun control film				
i	FROSTING FILM	S.FT.	66		
	Providing and fixing Non-reflective matte, frosted, scratch resistant, high performance resin coated polyester film with required frosting pattern on the glass surface complete as per the directions of EIC/ Architect (Payment shall be made for the finished area of the film actually provided. No deduction shall be made for openings upto 0.1 Sq.m. area each and nothing shall be paid extra for making such openings.)				
ii	Sun Control Film	S.FT.	470		
	Providing and fixing in position Sun control film of approved make and shade with required frosting pattern on the glass surface complete as per the directions of EIC/ Architect (Payment shall be made for the finished area of the film actually provided. No deduction shall be made for openings upto 0.1 Sq.m. area each and nothing shall be paid extra for making such openings.)				
	Garware make - Grey 5				
	3M - CRYSTAL GLASS FINISHES 7725 SE325				
4	M.S. SLOTTED ANGLE STORAGE	S.FT.	105		
	Providing and making M.S. slotted angle storage using angles of 18 gauge thickness and shelves of 20 gauge designed as per the specifications of standard manufacturers. Shelves shall be provided at 1'-6" c/c & supported on frames on all four sides with vertical supports as per manufacturers' standard specifications.				
5	WOODEN FLOORING AT CHAIRMAN'S CHAMBER & CONFERENCE ROOM	S.FT.	1100		
	152mm(Width) x 1200mm(Length) as per design and as directed by the architect, with veneer thickness upto 0.60mm and core material being High Density Fibre Board in brushed/ matt finish, having a 10 years warranty on the use. The product should comply to EN14354. The Board should be constructed in 3 layers in order to minimise expansion and contraction with in the floor boards and the direction of the fibres within each layers should be oriented in such a manner that each layer is aligned at an angle of 90 degree with the other. It should fulfill the classification of Class G as per the fire classification.				
6	COLOURED ACRYLIC SHEET LOGO FO THE BANK, BACK LIT				
	Supplying , fabricating and installation of Canara Bank's Logo of 2 Nos of Triangle (Blue and Yellow Colour) made of coloured acrylic sheet 5-6mm thk in box section, and as per the sizes as mentioned in the detailed drawings . This Coloured Acrylic sheet box logo should be fixed with strip light fitted from inside , as per the direction of the architect.				
i	OVERALL SIZE 750MM X 750MM	NOS	4		
ii	OVERALL ZIZE 450MM X 450 MM	NOS	2		
7	Wallpaper	SFT	210		
	Providing and fixing in position Wallpaper fixed with approved make of adhesive of approved Make and Design as Specified by the Architect				
8	SKINNING ON WALL/ PARTITION/ PANELLING	SFT	156		
	Providing and fixing skinning on prepared surface with laminated customised Vinyl on Sunboard depicting the tradition of assam as per the design as approved by the architect, of approved quality & make for partitions,panelling, soffit etc.of required width and size as per drawing including cost of making openings for switches, AC facias etc. The rate includes cost of polishing, adhesives like fevicol or other				
9	DISMANTELLING & DEMOLISHION RELATED TO CARPENTRY WORKS ON 1ST & 2ND FLOOR	LS	1		
	Dismantelling works includes dismantelling of partition , panelling works,False ceilings, removal of doors, windows, counters, tables etc. Dismantelling of platforms , counters, skirting, and as all as may be required for preparing the site for the interior furnishing work of the premises. The rate shall include removal of debris from the site				
10	COLOURED VINYL FILIM OVER WALLS/ PILLARS/ PARTITIONS	SFT	782		
	Supplying and Fixing coloured flex/ Wall paper/ Film of approved shade, pattern and design as approved by the architect <u>(shades to be selected from shutterstock.com)</u> on finished walls/ partitions/ceilings/pannelling, as directed by the architect with approved make of adhesive				
11	DRY PLANTER BOX WITH POT & PLANTS	NOS	24		
	Providing and fixing dry Planters Boxes of avg. size 350mm x 350mm x 300- 450mm(H); The Planter Box shall be made out of 2 nos 18 mm thk. sandwiched plywood - sides finished in both inner and outer surfaces with 1.0mm thk laminate of approved shade and all exposed side edges of Ply/ board shall be covered with teak wood beading finished with matching Deco paint to give it similar finish.				
12	ARTIFICIAL WALL HANGING CREEPERS	RFT	250		
	Supplying and Fixing washable Sphinx Artificial Leaves Garlands/Creepers For Decoration, Made up of polyester fabric, commonly used for decoration of reception area and walls				
13	CNC CUTTING ON MDF BOARD FOR WALLS & CEILING	SFT	36		
	Providing & fixing of approved shaped CNC cutting MDF board ceiling inplaces as directed by the architect (As per design approval from the architect) To be finished with nutty finish spray paint (approved colour)				
14	10MM GLASS SHELVES- 250-300MM WIDE	RFT	88		
	Providing and fixing 10mm thk Clear Glass Shelves, 250-300MM WIDE in mirror polished edges as per design. The Glass selves should be fixed with the help of Stainless Steel F Type Glass Shelf Bracket Square 12 Inches, with screws to walls / partitions/ pannelling, at an interval of 24-20" as per design and as directed by the architect				

15	LAMINATED COLLAGE PRINTING	SFT	156		
	Supplying fixing and placing in position PVC Vinyl poster of approved design and pattern. The Vinyls poster should be sandwiched between 2 nos 4/5 mm thk clear acrylic sheet (one in front and the other in the back) . The poster should be fixed on the wall/ partition with 8-10 Nos S.S Studs as per design and as directed by the architect.				
	GRAND TOTAL				

ESTIMATED BOQ FOR ELECTRICAL WORKS					
PART A: MAIN PANEL					
Sl. No	Description	Unit	Qty	Rate	Amount
A	PANELS				
1	SWITCH FUSE UNIT				
	Supply, installation, testing & commissioning of 125A IC TPN SFU with 125A HRC fuses (L&T / EE make) 440 V 3 phase & neutral 50 c/s AC23 duty on MS angle iron frame fabricated out of 40 mm. x 40 mm. x 5 mm MS angle duly painted with cable end boxes, earthing, name plate danger board fixing accessories etc.	set	1		
2	MAIN LT PANEL				
	Supply and Installation of main LT panel, floor mounted, front operated, dead back, totally enclosed vermin proof, indoor, non-drawout, cubicle type power dist. panel fabricated out of 2mm thick CRCA sheet having gasketed hinged door on each cubicle, fully powder coated / enamel painted after seven tank treatment, incorporating horizontal and vertical sleeved copper / aluminium busbars 'complete with all internal wiring, danger board, two earthing lugs, cable chamber etc. as required 'housing below mentioned switchgears / meters				
	Note :- GA & Control Drawing of the panel shall be approved by the Client / Consultant before fabrication. (Panel shall be manufactured from CPRI approved manufacturer only.) All test certificates for Panel shall be submitted alongwith the delivery of Panel at site.The Rate shall be inclusive of all costs of site clearance, transportation etc.)				
	INCOMER:				
	200A, (36kA) 415V 50Hz FP RCBO complete with neutral & accessories as incomer with O/L, S/C protections	set	1		
	4P Voltage Surge Protector / Arrestor including LED indicators alongwith necessary accessories- 1 No.				
	OUTGOINGS:				
	160A,TPN, MCCB as outgoing complete with neutral & accessories (1st Floor)-1 No.				
	100A,TPN, MCCB as outgoing complete with neutral & accessories (2nd Floor Floor)-1 No.				
	3 Nos., 40/32A,DP, MCB as outgoing complete with neutral & accessories (For Signage - 1 no., Spare - 2 no.s)				
	BUSBAR:				
	200A TPN electrolytic Copper Bus Bar of uniform cross-section (25mm x 5mm) – 1 set.				
	Accessories				
	On-load changeover switch – 1 No.,Digital Ammeter - 2 Nos.,Digital Voltmeter - 2 Nos.,Digital Energy meter - 2 Nos.,CT -2 Sets,Switch Fuse Unit - 6 Nos.,Selector Switch - 4 Nos.,Indicating Lamp 2 Set				
	METERING:				
	Load Manager with RS 485 port indicating Pf, KW, KVA, KVAR with class A CT- 1 no				
2	INBUILT APFC PANEL				
	With inbuilt solid state automatic power factor correction arrangement having microprocessor based control circuit and thyristor switching power circuit having a required capacity of 30KVAR having capacitor bank in steps of [(1 x 10 KVAR) + (1 x 5 KVAR)+ (1 x 3 KVAR) + (1 x 2 KVAR)], including main MCCB, MCB's, APFC relay, contactors, capacitors, indicating lamps, etc. complete with all necessary hardware & accessories as mentioned below :				
	INCOMER				
	1 No. 100A, FP, 36kA, MCCB with Thermal Magnetic release, of approved make with built in over load (O/L), short circuit (S/C) protection. The Breaker shall be suitable for 415 Volts 50 Hz., AC supply. The breaker shall have breaking capacity of 25 KA for 1 Sec. (For APFC Panel Main Incomer - 1 no.)				
	BUSBARS				
	1 Set of 150 Amps uniformly rated, continuous duty, 415V AC, 3- Phase & Neutral electrolytic grade 99.95% Purity Tinned Copper bus- bars with colour coded heat sink sleeves supported on SMC type grip supports. The Horizontal / Vertical sections of the busbars should all be uniformly rated for 150 Amps.				
	1 Set of 25 x 5 mm copper busbars of high conductivity electrolytic quality shall be provided throught out the panel for its earthing.				
	INSTRUMENTS				
	1 no. 0-500V Digital Voltmeter of suitable size & 1 no. suitable size Digital Ammeter	Set	1		
	1 Set of phase indicating lamps, LED type, RYB.				
	1 Set of 2A 10kA C curve SP control MCB				
	1 no. 4 stage microprocessor based digital type APFC relay				
	1 set overvoltage, undervoltage, phase protection relay.				
	4 set On, Off push button, auto manual selector switch.				
	4 set On, Off LED type indication lamp				
	OUTGOING				
	2 Nos. 100A, TPN, D curve, MCB				
	2 Nos. 25A, TPN, D curve, MCB				
	1 No. 2 kVAR MPP heavy duty capacitor with capacitor duty contactor & 7% detuned harmonic filter.				
	1 No. 3 kVAR MPP heavy duty capacitor with capacitor duty contactor & 7% detuned harmonic filter.				
	1 No. 5 kVAR MPP heavy duty capacitor with capacitor duty contactor & 7% detuned harmonic filter.				
	1 Nos. 10 kVAR MPP heavy duty capacitor with capacitor duty contactor & 7% detuned harmonic filter.				

	The panel shall be provided with required nos of louvers in the capacitor chamber for its cooling. Also required nos of ventilation fans with auto sensing thermostat shall be provided in the panel.				
	The switching of capacitors shall take place at zero crossing level to reduce harmonics and improve capacitor life.				
	Full Set as above				
B	CABELS / MAINS				
1	Supply & Installation of 1100V grade armoured cable having sector / circular shaped aluminium / copper conductor PVC insulated cores, laid up, PVC tape wrapped inner sheathed, GI strip / wire armoured and overall extruded PVC sheathed conforming to IS: 1554, laid on wall / ceiling using GI clamps & spacers as per route shown at site and further as directed by Consultant at site in the following sizes :-				
	NOTE :- All Armoured cables shall be provided with temporary labelling at every mtrs & then finally with metal identification tags showing the size & the location from/to the respective Panel/ DB, at both the ends.				
1.1	3 1/2 C x 120 Sq.mm Aluminium (Main cable from Supply Point to SFU)	Mtrs	66		
1.2	3 1/2 C x 95 Sq.mm Aluminium (Main cable from SFU to Main Electrical LT Panel)	Mtrs	56		
1.3	3 1/2 C x 50 Sq.mm Aluminium (Main Electrical LT Panel to Main VTPN DB)	Mtrs	38		
A	TOTAL of MAIN PANEL WORKS				0
PART B: FIRST FLOOR ELECTRICAL WORKS					
Sl. No	Description	Unit	Qty	Rate	Amount
Section A					
1	MAIN SWITCH				
1.1.	S.I.T.C of following MCCB Unt with MCCB in sheet steel enclosure on M.S. angle frame / M.S. legs on wall complete with interconnection, mending good damages to original finish, painting, etc. as required.				
	160A 4P 25 KA MCCB	No.	1		
2	S.I.T.C. of Factory Manufactured Single/ 3 Phase & Neutral Double Door Distribution board made out of 16 SWG sheet steel enclosure with cutouts for operating MCB/MCCB/RCCB etc. knobs & consisting of Phase, Neutral & Earth Busbars with tapped holes, phase barriers, & covers with removable plates on Top & bottom for Incoming & Outgoing Cables. D.B.'s shall be flush mounting type for both single & three phase.				
2.1.	S.I.T.C. of TPN 8 way Single Door Vertical Distribution Board with following M.C.B./M.C.C.B./RCCB & cable end boxes at Input & Output. [Main VTPN]				
a	4 Pole, Type C, 160 Amp 25 KA RCBO. as Incomer - 1 no.s 45A DP "C" Class RCBO for input to LDB- 1 Nos. 63A TPN "C" Class RCBO for input to Raw PDB- 1 Nos. (Water Dispenser, Mobile Charger & Ancillary services Load) 63A TPN "C" Class MCB for input to ACDB- 2 Nos. 63A DP "C" Class MCB for Inverter INPUT AND OUTPUT- 2 Nos, Note- Rates Shall be inclusive of S.I.T.C. 3X 50 sqmm Armoured aluminium cable from the Main LT panel to the main DB including 4 X16 Sq.mm. F.R.L.S. Copper Flexible wires with 2 X 10 Sgmm Copper Earth Wires in Rigid MS conduit from 100 A MCCB in Metal Box (Metering Cabinet) at the output of Br. Meter to Main DB and any other ancillary items as directed by Engineer-in-Charge/ Architect.	No.	1		
Section B					
3	MCB DISTRIBUTION BOARD				
	Supplying, installation, testing and commissioning of surface/recess mounting, 220/415 volts prewired MCB distribution boards with all switchgears as specified below, of sheet steel, dust protected, duly phosphatized and powder painted, inclusive of 200 amps tinned uniformly rated electrolytic copper bus-bar, common neutral link, earth bar, din bar for mounting MCB/MCCB/RCCBs detachable gland/knock out plates and with built in loose wire box, and superior make terminal connectors for all incoming and outgoing circuits, duly prewired with adequate size of FR MS insulated copper conductor upto the terminal connector/neutral link and ready for installation as specified below:				
3.1.	S.I.T.C. Of L.D.B. [MCB DB- LIGHT] (LIGHT DB)				
a.1.	S & I of 18 Way SPN, DB for distribution to all Light points of different areas (as indicated in the circuit diagram), having below mentioned switchgears (Earth bar inside these DB should be insulated from the body) - 1 No. 45A, 100 mA, DP RCBO as incomer , 16 Nos 6A SP MCB as outgoing	No.	1		
	Note- Rates Shall be inclusive of S.I.T.C. of 3X 2.5 Sq.mm. F.R.L.S. copper flexible wires in 19/20 mm. MS conduit from Main D.B To L.D.B				
b	S.I.T.C. Of P.D.B. [MCBDB-POWER] (Raw Power DB)				
b.1.	S.I.T.C. of TPN 8 way Single door D.B. with Incomer TPN 30 mA 63Amp R.C.B.O - 1 No . 16 Amp SP M.C.B. - 18 No and with all wiring connections. (Max 4 Points to be looped on one MCB, 5 Nos. in Low Power Utility) Note- Rates Shall be inclusive of S.I.T.C. of 3 X 4 Sq.mm. F.R.L.S. Copper Flexible wires in Rigid MS conduit from Main DB to Power DB	No.	1		
c	S.I.T.C OF U.P.S. D.B. : (MCBDB-UPS MAIN)				

c.1.	S.I.T.C. of 8 way Single Door SPN D.B. with Incomer 100 Milliamp & 63 Amp DP R.C.B.O. - 1 No . 40 Amp D.P. M.C.B. - 3 No with all wiring connections. Note- Rates Shall be inclusive of S.I.T.C. of 3 X 6 Sq.mm. F.R.L.S. Copper Flexible wires in Rigid MS conduit from Main DB to MCBDB-UPS-Main. (body to be earthed)	No.	1		
d	S.I.T.C OF U.P.S. D.B. : (MCBDB-UPS WORKSTATION)				
d.1.	S.I.T.C. of 8 way Double Door TPN D.B. with Incomer 100 Milliamp & 63 Amp DP R.C.B.O. - 1 No . 16 Amp S.P. M.C.B. -16 No with all wiring connections.(Max. 2 work-Station Points to be looped on one MCB, 3 nos. in exceptional case.) Note- Rates Shall be inclusive of S.I.T.C. of 3 X 4 Sq.mm. F.R.L.S. Copper Flexible wires in Rigid MS conduit from Main DB to MCBDB-UPS-1. (body to be earthed)	No.	2		
e	S.I.T.C. Of ACDB [MCB DB- AC]				
e.1	S.I.T.C. of 4 way Double door TPN Distribution Board with all wiring connections. Incomer : -63A 3P 100mA RCBO : - 1 No. Outgoing : - 16A SP MCB : - 9 Nos. Note- Rates Shall be inclusive of S.I.T.C. of 4 x 6.0mm² + 2x4.0 mm² F.R.L.S. copper flexible wires in 19/20 mm. Medium Gauge MS conduit from Main Panel To ACDB	No.	2		
SECTION-C					
4	POINT WIRING				
4.1	Supply & Installation of concealed point wiring using 3 x 1.5 sqmm stranded FRLS copper conductor in M.S Conduit including the cost of circuit wiring from the relevant DB's with 3x 1.5 sq mm stranded FRLS copper conductor in M.S Conduit . PIN GRIP Lugs should be used for connection/ terminations at both the ends with proper colour coding of phase, neutral and earth wire (Phase R,Y,B Neutral-Black & Earth - Green Colour). The rate shall also include concealed M.S Box, Cover Plate and Switches of grid plate type switches and sockets of approved shade and make as approved by Bank / Architect. Each circuit should not have more than 8 points / 800 W in one loop as per the following configuration.				
a (i)	Primary light points including the cost of 6A switch	Pts	102		
(ii)	Primary light points including the cost of 6A switch in UPS Power	Pts	12		
b	Secondary 6A Plug point on switch board. [SO]	Pts	44		
c	16/6 A Plug Point directly taken from DB for hotplate/geyser / zerox / fridge [P]	Pts	3		
d	20A AC Points consisting of 16A socket near the AC and Switch on Switch Board with 3 x 6 sqmm stranded FRLS copper conductor in M.S Conduit	Pts	18		
e	Exhaust fan/ Wall Fan point consisting of 6A socket near fan and switch on light switch board	Pts	40		
f	Wiring for Signages with 2R x2.5 Sq.mm and 1 Rx 1.5 Sq.mm, PVC insulated copper conductor flexible cable to be connected to the SPN D/D consumer along with a Timer and Contactor unit installed in Electrical Room room	Set	1		
g	S.I.T.C. of call bell with bell point .	Nos.	4		
4.2	COMPUTER/ RAW POWER WIRING				
Note- All sockets should be placed below the workstations as mentioned in the drawings but the controlling switch should fixed above the work stations and at place as directed by the architect					
a	Supply & Installation of concealed UPS or stabilized power plug points on workstations / table for computers using 3 x 2.5 sqmm stranded FRLS copper conductor in M.S Conduit including the cost of circuit wiring from the relevant DB's with 3 x 4.0 sq mm stranded FRLS copper conductor in M.S Conduit . PIN GRIP Lugs should be used for connection/ terminations at both the ends with proper colour coding of phase, neutral and earth wire (Phase R,Y,B Neutral-Black & Earth - Green Colour). Each point shall consist of 3 Nos of 6A/16A 2 / 3 Pin sockets and 1 No 16A switch, wired together forming one point. Switches and sockets to be of approved shade and make. (Only 2 tables served by one circuit from UPS DB/ Not more than 2 points shall be permitted per loop) Cost is inclusive of necessary cutting the walls/ partitions and carrying all the wires through M.S Conduit and againg finishing the walls with Putty/ Cement/ POP to receive the final paint.. [SOC]	Pts	72		
b	S & I of points similar to above but to be used as raw power point on the tables consisting of one 6/16A socket with switch of other color and flexible cable of black color & circuit taken from Raw Power DB (4 tables served by one circuit from LDB/PDB) Taken Above False ceiling and through walls/ partitions inside M.S. Conduits as raceways are not provided. Cost is inclusive of necessary cutting the walls and including M.S. Conduits as required for taking the wires.	Pts	72		
SECTION-D					
5	EARTHING				
5.1	Earthing with Copper earth plate 600 x 600 x 3 mm thick including all accessories, and providing masonry enclosure with cover plate having locking arrangement and watering pipe of 2.7 meter long etc with charcoal/ coke and salt as required. Rates shall be inclusive of Providing & fixing 25 mm x 5 mm Cu strip on surface or in recess for connection as required.	Each	2		
SECTION-E					
6	LIGHTING FIXTURES (Bajaj or equivalent)				
6.1	S & I of lighting fixtures as per the details given below including necessary hardware such as clamps,nuts, bolts, nails, screws and suspension chains as required for fixing the fixtures in position as directed by architect / Consultant.				

a	DOWN LIGHT - Round LED recess-mounted designer panel with aluminium die cast housing , Item Code- BAJAJ BGSLO SLEEK 18W WH RD , Wattage-18W, CCT- 4000 K, or equivalent as approved by the Engineer-incharge/ Architect. [DL]	Each	26		
b	PANEL LIGHT - Sauber Ultra Slim LED Panel made from extruded aluminium housing frame (recess / pendant) 2ft x 2ft , Item Code- BAJAJ BZRSQ 30W GZi , Wattage-30W, CCT- 4000 K, or equivalent as approved by the Engineer-incharge/ Architect. [PL]	Each	45		
d	1200 MM TUBE LIGHT - LED batten tubes, Glaze LED Batten, High quality aluminium extruded with decorative end caps, Item Code-LGLZ01x020XN , Wattage-20W, CCT- 4000 K, or equivalent as approved by the Engineer-incharge/ Architect. [TL]	Each	10		
g	600 MM TUBE LIGHT - LED batten tubes, Glaze LED Batten, High quality aluminium extruded with decorative end caps, Item Code-LGLZ01x010XN , Wattage-10W, CCT- 4000 K, or equivalent as approved by the Engineer-incharge/ Architect. [FL]	Each	5		
h	RGB Strip light cuttable type of overall length 5M with drivers and remote	SET	4		
6.2	Supply and fixing of 10" - 12" PVC exhaust fans with louvers.[EF]	EACH	5		
6.4	Supplying including fitting fixing of following star rated Plastic Blade, new 400-450 mm dia bracket/wall fan of Ivory Colour , complete with all accessories of following sweeps with making necessary connection cable, as approved by the Deptt.s etc. as required complete and as directed by the Department				
	a) 400- 450 mm sweep	EACH	44		
7	WIRING FOR DATA AND VOICE OUTLETS				
7.1	Supplying, laying and termination of 4 pair Copper solid, twisted pair G600 CAT--6 cables through specified dia MS conduits / raceways. Cables must meet and exceed category 6/ class E standards requirements in ISO/IEC11801, CENELEC EN50173 & TIA 568-B2-1. and providing & terminating with RJ-45 (Krone make) with face plates / I/O Ports in suitable modular / MS box from server / EPABX room to individual work stations and terminating other end with RJ-45 connector including numbering with ferule. Note- Rates shall be all inclusive as mentioned in the description above and the payment for the same item shall be made on the number of points provided based on the above description. Rates shall be inclusive of 5'-0" long patch chord with crimping on both ends				
a	RJ-45 for data points (THROUGH False ceiling and wall)	points	74		
7.2	Providing and laying Cat 5 cable (Make: D-Link) for voice through specified dia PVC conduits / raceways for voice and providing & terminating with RJ-11 (Krone make) with face plates / I/O Ports in suitable modular / MS box from server / EPABX room to individual work stations and terminate the other end with RJ-11 connector or on a Crone module with numbering of each cable with Ferule. Note- Rates shall be all inclusive as mentioned in the description above and the payment for the same item shall be made on the number of points provided based on the above description				
	Note- All Voice outlet should be fixed above the work stations and at place as directed by the architect				
a	RJ-11 for Voice (THROUGH FALSE CEILING AND WALL)	points	41		
7.3	Supplying, laying and fixing of PVC telephone flexible wire through specified dia PVC conduits / raceways of following size:				
a	2-pair	mtr.	800		
7.4	SS Network Rack with Cat 6 Jack Panel for atleast 40 DATA Points	No.	2		
7.5	19", 3U SS Rack Mount Recessed Frame for Voice Terminations	No.	2		
B	TOTAL OF ELECTRICAL & OTHER RELATED WORKS FOR 1ST FLOOR				
PART C: SECOND FLOOR ELECTRICAL WORKS					
Sl. No	Description	Unit	Qty	Rate	Amount
Section A					
1	MAIN SWITCH				
1.1.	S.I.T.C of following MCCB Unt with MCCB in sheet steel enclosure on M.S. angle frame / M.S. legs on wall complete with interconnection, mending good damages to original finish, painting, etc. as required.				
	100A 4P 25 KA MCCB	No.	1		
2	S.I.T.C. of Factory Manufactured Single/ 3 Phase & Neutral Double Door Distribution board made out of 16 SWG sheet steel enclosure with cutouts for operating MCB/MCCB/RCCB etc. knobs & consisting of Phase, Neutral & Earth Busbars with tapped holes , phase barriers, & covers with removable plates on Top & bottom for Incoming & Outgoing Cables . D.B.'s shall be flush mounting type for both single & three phase.				
2.1.	S.I.T.C. of TPN 6 way Double Door Vertical Distribution Board with following M.C.B./M.C.C.B./RCCB & cable end boxes at Input & Output. [Main VTPN]				
a	4 Pole ,Type C, 100 Amp 25 KA RCBO. as Incomer - 1 no.s				
	45A DP "C" Class RCBO for input to LDB- 1 Nos.				
	45A DP "C" Class RCBO for input to Raw PDB- 1 Nos. (Water Dispenser, Mobile Charger & Ancillary services Load)				
	63A TPN "C" Class MCB for input to ACDB- 2 Nos.				
	63A SP "C" Class MCB for Inverter INPUT AND OUTPUT-1Nos,				
	Note: Rates Shall be inclusive of S.I.T.C. 3X 50 sqmm Armoured alluminium cable from the Main LT panel to the main DB including 4 X16 Sq.mm. F.R.L.S. Copper Flexible wires with 2 X 10 Sqmm Copper Earth Wires in Rigid MS conduit from 100 A MCCB in Metal Box (Metering Cabinet) at the output of Br. Meter to Main DB and any other ancillary items as directed by Engineer-in-Charge/ Architect.	No.	1		

Section B					
3	MCB DISTRIBUTION BOARD				
	Supplying, installation, testing and commissioning of surface/recess mounting, 220/415 volts prewired MCB distribution boards with all switchgears as specified below, of sheet steel, dust protected, duly phosphatized and powder painted, inclusive of 200 amps tinned uniformly rated electrolytic copper bus-bar, common neutral link, earth bar, din bar for mounting MCB/MCCB/RCCBs detachable gland/knock out plates and with built in loose wire box, and superior make terminal connectors for all incoming and outgoing circuits, duly prewired with adequate size of FR MS insulated copper conductor upto the terminal connector/neutral link and ready for installation as specified below:				
3.1.	S.I.T.C. Of L.D.B. [MCB DB- LIGHT] (LIGHT DB)				
a.1.	S & I of 12 Way SPN, DB for distribution to all Light points of different areas (as indicated in the circuit diagram), having below mentioned switchgears (Earth bar inside these DB should be insulated from the body) - 1 No. 45A, 100 mA, DP RCBO as incomer , 10 Nos 6A SP MCB as outgoing	No.	1		
	Note- Rates Shall be inclusive of S.I.T.C. of 3X 2.5 Sq.mm. F.R.L.S. copper flexible wires in 19/20 mm. MS conduit from Main D.B To L.D.B				
b	S.I.T.C. Of P.D.B. [MCBDB-POWER] (Raw Power DB)				
b.1.	S.I.T.C. of SPN 16 way Single door D.B. with Incomer Double pole 30 mA 45 Amp R.C.B.O - 1 No . 16 Amp SP M.C.B. - 12 No and with all wiring connections.(Max. 2 Points to be looped on one MCB. 3 nos. in exceptional case.)	No.	1		
	Note- Rates Shall be inclusive of S.I.T.C. of 3 X 4 Sq.mm. F.R.L.S. Copper Flexible wires in Rigid MS conduit from Main DB to Power DB				
c	S.I.T.C OF U.P.S. D.B. : (MCBDB-UPS WORKSTATION)				
c.1.	S.I.T.C. of 12 way Single Door SPN D.B. with Incomer 100 Milliamp & 63 Amp DP R.C.B.O. - 1 No . 16 Amp S.P. M.C.B. -10 No with all wiring connections.(Max. 2 work-Station Points to be looped on one MCB, 3 nos. in exceptional case.)	No.	2		
	Note- Rates Shall be inclusive of S.I.T.C. of 3 X 4 Sq.mm. F.R.L.S. Copper Flexible wires in Rigid MS conduit from Main DB to MCBDB-UPS-1. (body to be earthed)				
d	S.I.T.C. Of ACDB [MCB DB- AC]				
d.1	S.I.T.C. of 6 way Double door TPN Distribution Board with all wiring connections. Incomer : -63A 3P 100mA RCBO : - 1 No. Outgoing : - 16A SP MCB : - 14 Nos.	No.	1		
	Note- Rates Shall be inclusive of S.I.T.C. of 4 x 6.0mm² + 2x4.0 mm² F.R.L.S. copper flexible wires in 19/20 mm. Medium Gauge MS conduit from Main Panel To ACDB				
SECTION-C					
4	POINT WIRING				
4.1	Supply & Installation of concealed point wiring using 3 x 1.5 sqmm stranded FRLS copper conductor in M.S Conduit including the cost of circuit wiring from the relevant DB's with 3x 1.5 sq mm stranded FRLS copper conductor in M.S Conduit . PIN GRIP Lugs should be used for connection/ terminations at both the ends with proper colour coding of phase, neutral and earth wire (Phase R,Y,B Neutral-Black & Earth - Green Colour). The rate shall also include concealed M.S Box, Cover Plate and Switches of grid plate type switches and sockets of approved shade and make as approved by Bank / Architect. Each circuit should not have more than 8 points / 800 W in one loop as per the following configuration.				
a (i)	Primary light points including the cost of 6A switch	Pts	62		
(ii)	Primary light points including the cost of 6A switch in UPS Power	Pts	13		
b	Secondary 6A Plug point on switch board. [SO]	Pts	23		
c	16/6 A Plug Point directly taken from DB for hotplate/geyser / zerox / fridge [P]	Pts	6		
d	20A AC Points consisting of 16A socket near the AC and Switch on Switch Board with 3 x 6 sqmm stranded FRLS copper conductor in M.S Conduit	Pts	14		
e	Exhaust fan/ Wall Fan point consisting of 6A socket near fan and switch on light switch board	Pts	30		
f	Wiring for Signages with 2R x2.5 Sq.mm and 1 Rx 1.5 Sq.mm, PVC insulated copper conductor flexible cable to be connected to the SPN D/D consumer along with a Timer and Contactor unit installed in Electrical Room room	Set	1		
g	S.I.T.C. of call bell with bell point .	Nos.	2		
4.2	COMPUTER/ RAW POWER WIRING				
	Note- All sockets should be placed below the workstations as mentioned in the drawings but the controlling switch should fixed above the work stations and at place as directed by the architect				

a	Supply & Installation of concealed UPS or stabilized power plug points on workstations / table for computers using 3 x 2.5 sqmm stranded FRLS copper conductor in M.S Conduit including the cost of circuit wiring from the relevant DB's with 3 x 4.0 sq mm stranded FRLS copper conductor in M.S Conduit . PIN GRIP Lugs should be used for connection/ terminations at both the ends with proper colour coding of phase, neutral and earth wire (Phase R,Y,B Neutral-Black & Earth - Green Colour). Each point shall consist of 3 Nos of 6A/16A 2 / 3 Pin sockets and 1 No 16A switch, wired together forming one point. Switches and sockets to be of approved shade and make. (Only 2 tables served by one circuit from UPS DB/ Not more than 2 points shall be permitted per loop) Cost is inclusive of necessary cutting the walls/ partitions and carrying all the wires through M.S Conduit and ageing finishing the walls with Putty/ Cement/ POP to receive the final paint.. [SOC]	Pts	45		
b	S & I of points similar to above but to be used as raw power point on the tables consisting of one 6/16A socket with switch of other color and flexible cable of black color & circuit taken from Raw Power DB (4 tables served by one circuit from LDB/PDB) Taken Above False ceiling and through walls/ partitions inside M.S. Conduits as raceways are not provided. Cost is inclusive of necessary cutting the walls and including M.S. Conduits as required for taking the wires.	Pts	45		
SECTION-D					
5	EARTHING				
5.1	Earthing with Copper earth plate 600 x 600 x 3 mm thick including all accessories, and providing masonary enclosure with cover plate having locking arrangement and watering pipe of 2.7 meter long etc with charcoal/ coke and salt as required. Rates shall be inclusive of Providing & fixing 25 mm x 5 mm Cu strip on surface or in recess for connection as required.	Each	2		
SECTION-E					
6	LIGHTING FIXTURES (Bajaj or equivalent)				
6.1	S & I of lighting fixtures as per the details given below including necessary hardware such as clamps,nuts, bolts, nails, screws and suspension chains as required for fixing the fixtures in position as directed by architect / Consultant.				
a	DOWN LIGHT - Round LED recess-mounted designer panel with aluminium die cast housing , Item Code- BAJAJ BGSLO SLEEK 18W WH RD , Wattage-18W, CCT- 4000 K, or equivalent as approved by the Engineer-incharge/ Architect. [DL]	Each	22		
b	PANEL LIGHT - Sauver Ultra Slim LED Panel made from extruded aluminium housing frame (recess / pendant) 2ft x 2ft , Item Code- BAJAJ BZRSQL 30W GZi , Wattage-30W, CCT- 4000 K, or equivalent as approved by the Engineer-incharge/ Architect. [PL]	Each	40		
d	1200 MM TUBE LIGHT - LED batten tubes, Glaze LED Batten, High quality aluminium extruded with decorative end caps, Item Code-LGLZ01x020XN , Wattage-20W, CCT- 4000 K, or equivalent as approved by the Engineer-incharge/ Architect. [TL]	Each	7		
g	600 MM TUBE LIGHT - LED batten tubes, Glaze LED Batten, High quality aluminium extruded with decorative end caps, Item Code-LGLZ01x010XN , Wattage-10W, CCT- 4000 K, or equivalent as approved by the Engineer-incharge/ Architect. [FL]	Each	6		
h	RGB Strip light cuttable type of overall length 5M with drivers and remote	SET	6		
i	2.5"- 3.0" Dia , 3W SMD Downlight/ Cabinet Light	Each	40		
j	Decorative Pendent Light - Cooper Finishing Pendent Lamp-E-27 LED 5WX 1, Item Code- KCH-COP-MD150031251C, or equivalent as approved by the Engineer-incharge/ Architect. [DPL]	Each	4		
6.2	Supply and fixing of 10" - 12" PVC exhaust fans with louvers.[EF]	EACH	8		
6.3	Supplying including fitting fixing of following star rated A.C. Ceiling fan complete with all accessories like down rod, canopy etc. of following sweeps with making necessary connection cable, as approved by the Deptt.s etc. as required complete and as directed by the Department [Without regulator]. (ORIENT PSPO make / Usha make/ CROMPTON make/ATC/ V GAURD make). Rates shall be inclusive of providing and fixing of M.S. fastner hooks for fixing the fan from the ceiling .				
	a) 1200 mm sweep [F]	EACH	5		
6.4	Supplying including fitting fixing of following star rated Plastic Blade, new 400-450 mm dia bracket/wall fan of Ivory Colour , complete with all accessories of following sweeps with making necessary connection cable, as approved by the Deptt.s etc. as required complete and as directed by the Department				
	a) 400- 450 mm sweep	EACH	22		
7	WIRING FOR DATA AND VOICE OUTLETS				
7.1	Supplying, laying and termination of 4 pair Copper solid, twisted pair G600 CAT--6 cables through specified dia MS conduits / raceways. Cables must meet and exceed category 6/ class E standards requirements in ISO/IEC11801, CENELEC EN50173 & TIA 568-B2-1. and providing & terminating with RJ-45 (Krone make) with face plates / I/O Ports in suitable modular / MS box from server / EPABX room to individual work stations and terminating other end with RJ-45 connector including numbering with ferule. Note- Rates shall be all inclusive as mentioned in the description above and the payment for the same item shall be made on the number of points provided based on the above description. Rates shall be inclusive of 5'-0" long patch chord with crimping on both ends.				
a	RJ-45 for data points (THROUGH False ceiling and wall)	points	45		
7.3	Providing and laying Cat 5 cable (Make: D-Link) for voice through specified dia PVC conduits / raceways for voice and providing & terminating with RJ-11 (Krone make) with face plates / I/O Ports in suitable modular / MS box from server / EPABX room to individual work stations and terminate the other end with RJ-11 connector or on a Crone module with numbering of each cable with Ferule. Note- Rates shall be all inclusive as mentioned in the description above and the payment for the same item shall be made on the number of points provided based on the above description.				

	Note- All Voice outlet should be fixed above the work stations and at place as directed by the architect				
a	RJ-11 for Voice (THROUGH FALSE CEILING AND WALL)	points	26		
7.3	Supplying, laying and fixing of PVC telephone flexible wire through specified dia PVC conduits / raceways of following size:				
a	2-pair	mtr.	400		
7.4	SS Network Rack with Cat 6 Jack Panel for atleast 40 DATA Points	No.	1		
7.5	19" , 3U SS Rack Mount Recessed Frame for Voice Terminations with Cat 6 Jack Panel, 24 Port (VOICE)	No.	1		
8	EPBX SYSTEM				
8.1	Disconnection of EPABX System from existing premises and re-connection of the same to new premises at place as directed by the architect/ bank with all accessories as related to EPBX system	LS	1		
8.2	Digital Phone	No.	3		
8.3	Push Button Telephone	No	15		
9	OUTLETS FOR POP UP BOX				
	Supply, installation, testing and commissioning of LEGRAND make Aluminium floor adaptor power outlets of 3 module pop-up box with LEGRAND ARTEOR 1 no. of 6 A, 240V modular socket (Shuttered) controlled by 1 no. 6 A modular switch, module plates etc. in complete. The pop-up boxes are to be flushed and concealed inside the furniture surface along with making good to the furniture to uphold the architectural beauty. The outlets are to be terminated and wired by 2 X 2.5 sq mm (P+N) + 1 X 2.5 sq mm (E) FRLS Copper conductor of 1.1 KV grade from the Power DB through pre laid conduits/ raceways upto a maximum of 20 mtrs.	NOS	5		
10	GLOW SIGN BOARD	SFT	240		
	Fabrication, supplying, installation and commissioning of LED signage board with timer in M.S frame of ASSAM GRAMIN VIKASH BANK letter in English, and Assamese of size as directed by the architect/ bank's official with white acrylic and ACP sheets. LED of each letter shall be of 12V waterproof LEDs (preferably Samsung and Havells Cables). LED for each letter having 3 row equally spaced. Colour of emission will be Green Colour with white background. The structure to be installed on the top of the Office building and shall be capable to withstand 200 km/hr wind velocity. All materials shall be as per the technical specifications of the tender and got approved before start of fabrication and installation.				

C	TOTAL OF ELECTRICAL & OTHER RELATED WORKS FOR 2ND FLOOR				
----------	--	--	--	--	--

PART D: MUSIC & PA SYSTEM WORKS IN CONFERENCE ROM					
--	--	--	--	--	--

Sl. No	Description	Unit	Qty	Rate	Amount
1	Supply, installation, testing and commissioning of public address/ music system comprising of the following:				
a	SITC of solid state Amplifier of 240 W, RMS output including necessary control wires, jacks etc. any other accessories as required in complete.	Nos	1		
b	SITC of DVD player with USB support	Nos	1		
c	SITC of 6-9 W ceiling mounted speakers with line matching transformers with decorative grills, mounting bracket etc. other accessories as required in complete.	Nos	6		
d	SITC of twin twisted 24/0.2 SWG flexible tinned copper PVC insulated and screened Copper cables for speakers connections, volume control etc. through pre-laid conduits.	Mtr	120		
e	SITC of 2 zone call station	Nos	1		
f	SITC of lapel microphone	Nos	1		
g	SITC of Bosch make MW1-LTX-Fx Wireless Belt-pack Transmitter	Nos	1		
h	SITC of Bosch make MW1-LTX-Fx Wireless Belt-pack Compatible Receiver	Nos	1		
i	S & I of TV socket point flush mounted on wall / partition including cabling with RG-6 co-axial cable in 2mm thick PVC conduit till outside the building with connectors	No	5		

D	TOTAL OF MUSIC & PA SYSTEM				
----------	---------------------------------------	--	--	--	--

PART E: CCTV SYSTEM					
----------------------------	--	--	--	--	--

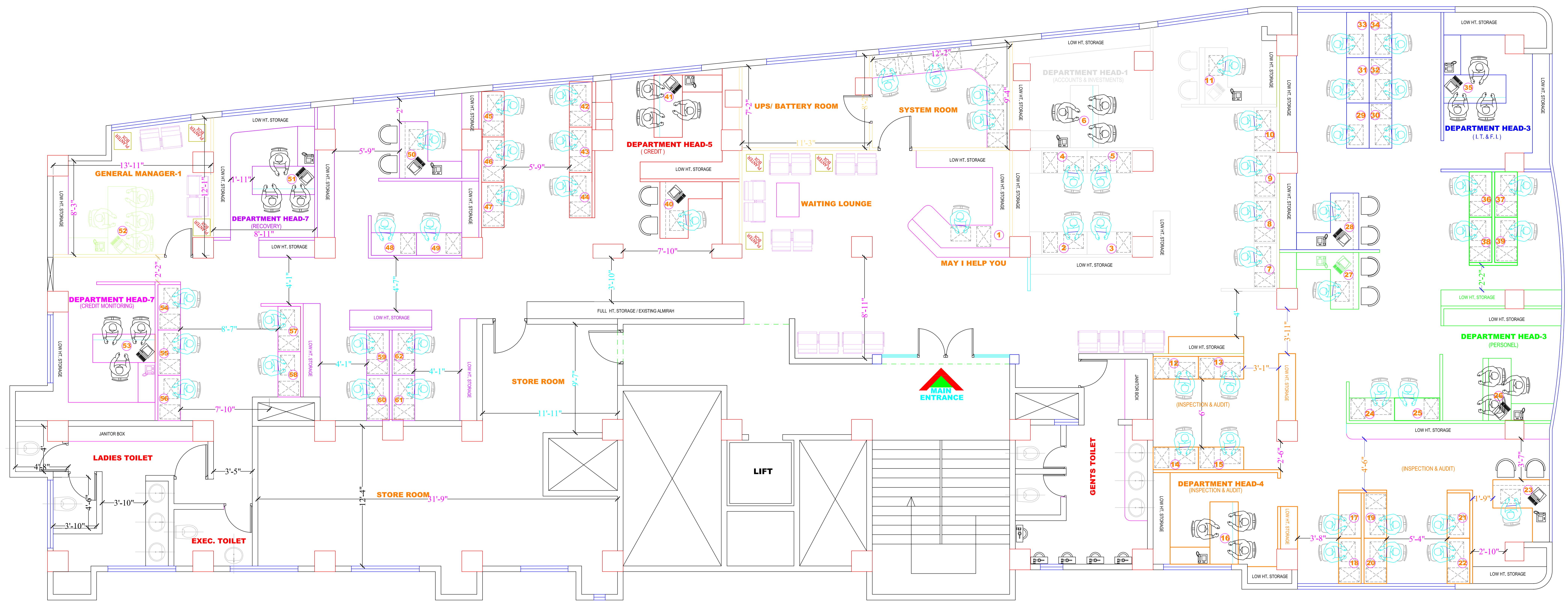
Sl. No	Description	Unit	Qty	Rate	Amount
1	CCTV SYSTEM				
	Supply and Laying of following works as per the requirement and specifications of the Security Vendor				
a	SITC of fixed dome indoor Colour Varifocal Lens Camera having 0.20 lux level requirement in night mode with the following components / sub assemblies as per specifications, complete with power supply unit, necessary brackets for fixing in the false ceiling etc. as required.(The camera shall be UL/ EN/ FCC certified) a. 1/3" progressive scan CCD image sensor Day/Night camera with inbuilt DSP, advanced features like High resolution of minimum 640 x 480, AGC, BLC, extended sensitivity, support on screen display etc. b. 1/3" Image format varifocal lens (4 to 8 mm)	Nos	12		
b	SITC of Advanced dynamic 12 channel digital event recording system with Digital multiplexer, DVR, Video Motion Detection & Video management System features suitable for CCTV cameras and as specified in the technical specifications inclusive of the rack cost and inclusive of 8 TB storage Memory for 12.5 frames second at 4CIF (704 X 576) resolution. TCP/IP connectivity, dual streaming and H.264 compression.	Nos	1		
c	SITC of coaxial FRLS RG 6 cable for CCTV system.	Mtr	1100		
d	SITC of 2C x 1.5 sq mm FRLS cable .	Mtr	1100		
e	SITC of cam power supply	Nos	12		

f	Supply & Installation of suitable stand for monitor of CCTV	Nos	1		
E	TOTAL OF CCTV WORKS				
PART F: FIRE ALARM SYSTEM					
Sl. No	Description	Unit	Qty	Rate	Amount
1	FIRE ALARM SYSTEM				
a	Supply, installation, testing and commissioning of Single Loop Intelligent, Addressable Main Fire Alarm Control panel suitable for operation on 230 V, 1 Ph, 50 Hz, AC supply with sufficient number control relay modules, Data entry, necessary programming and comprising following as per specifications complete as required:- a) Intelligent Detection Panel:- i) Microprocessor based central processing unit of at least 16 bit device, EPROM, non volatile memory with real time clock for communication and controlling the Intelligent / Addressable devices and history buffer of 3000 events with time and date stamp. ii) Capable of integrating 125 Detectors and 125 Modules. iii) operator interface, control and annunciation panel with back-lit alphanumeric liquid crystal display, system status LED, two level password access and with alphanumeric keypad. iv) One no. printer port to connect printer and other similar accessories. v) Suitable capacity maintenance free battery with 24 hours backup in normal conditions and 30 minutes in alarm condition alongwith battery charger. vi) The housing cabinet shall be corrosion proof, with manufacture standard finish, attack rated door, door lock and transparent viewing on front panel alongwith painting with rust-resistant prime coat complete as required vii) shall be UL/FM/VDS listed.	No.	1		
b	Supply, installation, testing and commissioning of intelligent addressable Smoke and Heat Detector (Multisensor 3D) with Standard base, Junction box,connector for loop in and loop out, insect resistant screen, built-in tamper resistant features including connection etc. with inbuilt isolator modules and other accessories as required Detectors shall be UL/FM/VDS listed.	Nos.	54		
c	Supply, installation, testing and commissioning of intelligent addressable reponse indicators	Nos.	20		
d	Supply, installation, testing and commissioning of intelligent addressable manual call point	Nos.	2		
e	Supply, installation, testing & commissioning of Intelligent Addressable type low intensity dualtone electronic hooter with control module. Sound output of 90-100 db at 1 mtr suitable for indoor application with 24 V DC supply including necessary connections, shall be UL/FM/VDS listed.	Nos.	2		
f	Supply, installation, testing & commissioning of Intelligent Addressable monitor modules with standard base, junction box, connector for loop in and loop out, built in tamper resistant features etc for integrating third party inputs, shall be UL/FM/VDS listed	No.	1		
h	Supply and laying 2 x 1.5 sq mm (14 SWG), 1.1 KV grade flame retardant copper conductor PVC cable with steel braiding and overall shielded with aluminium mylar tape including connection etc. as required.	Metres	1000		
i	Supply, installation, testing and commissioning of 2 Kg ABC type eco-friendly fire extinguishers with necessary wall bracket arrangements.	Nos.	6		
j	Supply, installation, testing and commissioning of 2 Kg Co2 gas type eco-friendly fire extinguishers with necessary wall bracket arrangements.		4		
F	TOTAL OF FIRE ALARM SYSTEM				
TOTAL OF ELECTRICAL & OTHER RELATED WORKS (A + B + C + D + E + F)					

ESTIMATE FOR SUPPLY & INSTALLATION OF CASSETTE & HI-WALL TYPE AIR-CONDITIONERS

Part A:	Description's of Items.	Unit.	Qty.	Rate.	Amount.
1	Hi-Wall INVERTER Type Split Air-Conditioners (Non-VRF)				
	S.I.T.C. of 1.5 Tr hi wall type BEE rated 5 star inverter technology split air conditioner with full function wireless remote and auto restart feature, with indoor/outdoor unit, gas charge, Copper condenser coils and Copper cooling coils company provided copper refrigerant pipe complete in all respects. Acceptable makes AC: Daikin/Toshiba/O General /Carrier/Blue Star/Voltas/Hitachi				
	Note: The Rates shall be inclusive of Standard Installation of all type of machines including indoor & outdoor machine erection, first Oil & Gas charging, installation & commissioning Including top and plug, vacuumising, nitrogen pressure testing (as applicable). The rate shall include 4.0 mtr. of refrigerant pipe with nitrile insulation & electrical cabling for each machine				
i	1.0TR SPLIT TYPE AIR-CONDITIONER, INVERTER TYPE, 5 STAR RATING.	SET.	1		
ii	1.5TR SPLIT TYPE AIR-CONDITIONER, INVERTER TYEP, 5 STAR RATING.	SET.	3		
iii	2.0TR SPLIT TYPE AIR-CONDITIONER, INVERTER TYEP, 5 STAR RATING.	SET.	-		
2	S.I.T.C of wall mounted hi lo cut off stabiliser with TDR, voltage range 140-280V, complete in all respects. Stabilizer: Servel/ V Gaurd/ Marc/ Stambh/ Inmag/Microtek/Servokon. of KVA as mentioned below				
i	3KVA VOLTAGE SYABILIZER.	SET.	1		
ii	4KVA VOLTAGE SYABILIZER.	SET.	3		
iii	5KVA VOLTAGE SYABILIZER.	SET.	-		
3	CASSETTE TYPE AIR CONDITIONERS				
	Supply, installation, testing and commissioning of Higher Efficient models of 4 Way CASSETTE TYPE AIR CONDITIONERS Machines conforming to latest Indian Standards and suitable for operation on 230 Volts +10%, three Phase, 50 Hz AC supply with Scroll compressor, Refrigerant and capable to perform cooling, dehumidifying, Air Circulating, auto mode, auto swing, anti bacteria filtering, ventilation and with remote control with Cool/Fan/Dry/Auto mode, sleep mode & on/off timer with suitable thermostat. The rate should include installation charges after making appropriate changes in existing false ceiling. Heavy ready made/fabricated MS Stand to house the out door unit as per site conditions including carpentry work, minor civil work and material including copper piping of hard & prime quality of min. 22 G up to 5 meters with class "o" Nitrile insulation 12mm ,cabling from indoor to outdoor unit, heavy gauge PVC drain piping with insulation as per site requirement. The copper piping, drains piping and electrical cabling should be fixed with clamps and no loose piping/cabling is allowed. The rates inclusive of all repairs of civil and carpentry work The out door unit				
	Note- Rates shall be inclusive of Laying control FRLS copper wire of sizes 2.5* 3 core/1.5* 4 core /2.5* 4 core pulled through rigid MS conduits of 20mm Dia 1.5 mm thick from outdoor unit to indoor unit as required to complete the work in all respect				
	2.0TR CASSETTE TYPE AIR-CONDITIONER:	SET.	12		
	4.0TR CASSETTE TYPE AIR-CONDITIONER:	SET.	-		
Part-A Total Amount Exclusive of GST:					
Installation & Commissioning of the Unit with Accessories:					
Part B:	Description's of Items.	Unit.	Qty.	Rate.	Total.
1	Copper pipe with nitrel insulation for A.C.	RMtr.	220		
2	32/25 NB Drain line with hard PVC.	Mtr.	134		
3	Electrical Control Cable.	Mtr.	225		
4.(a)	Installation, Testing and commissioning of Cassette type A.C.	Nos	12		
4.(b)	Installation, Testing and commissioning of Split type A.C.	Nos	4		
5. (a)	Outdoor Stand for Split type A.C.				
	Supply and installation of robust MS angle, MS flat fabricated floor/wall mounting stand suitable for outdoor units of hi wall Split ACs, painted with one coat of primer and two coats of synthetic enamel outdoor type paint including its grouting and making good of damages. complete in all respects	Nos	4		
5. (b)	Outdoor Stand for Cassette type A.C.				
	Supply and installation of robust MS angle, MS flat fabricated floor/wall mounting stand suitable for outdoor units of hi wall Split ACs, painted with one coat of primer and two coats of synthetic enamel outdoor type paint including its grouting and making good of damages. complete in all respects	Nos	12		
6	Gas charging in the old split Ac's dismantled from the old premises re-installed at the new premises including making good of damages, complete in all respects.	Kgs	12		

7	RE-INSTALLATION/ SHIFTING OF FOLLOWING ACS				
i	Hi-Wall Type Split Air-Conditioners				
	Dismantling and re-installation/ shifting along with gas charging including servicing, repair and running maintenance of following Split type Acs of different makes comprising of floor and wall mounted condensing units including all the scope of work specified above complete as required including repair of Voltage Stabilizer/ Auto Electronic controller (Note:- Copper piping and drain piping shall be measured and paid for separately):	Nos	5		
ii	CASSETTE TYPE AIR CONDITIONERS				
	Uninstallation and taking down existing Cassette Type Air-conditioners of different tonnages with all accessories including outdoor unit, outdoor stand, drain pipe, copper pipe, voltage stabiliser etc and reinstalling , testing & commissioning the same A.C at different location as directed by the architect. Rates shall be inclusive of transportation as will be required to carry the materials from AGVB existing HO premises to the new premise at Christian basti, Guwahati	Nos	4		
Part-B Total Amount Exclusive of GST					
Total Installation Cost: (Part A+Part B)					
8	AMC for 4 years (after warranty period) Exclusive of GST				
1		1st year	LS	1	
2		2nd year	LS	1	
3		3rd year	LS	1	
4		4th year	LS	1	
TOTAL COMPREHENSIVE AMC FOR 04 YEARS					
Total Project Cost: (Part A+Part B+Part C)					



TOTAL SEATING CAPACITY PROVIDED- 62

PROPOSED FURNITURE LAYOUT PLAN

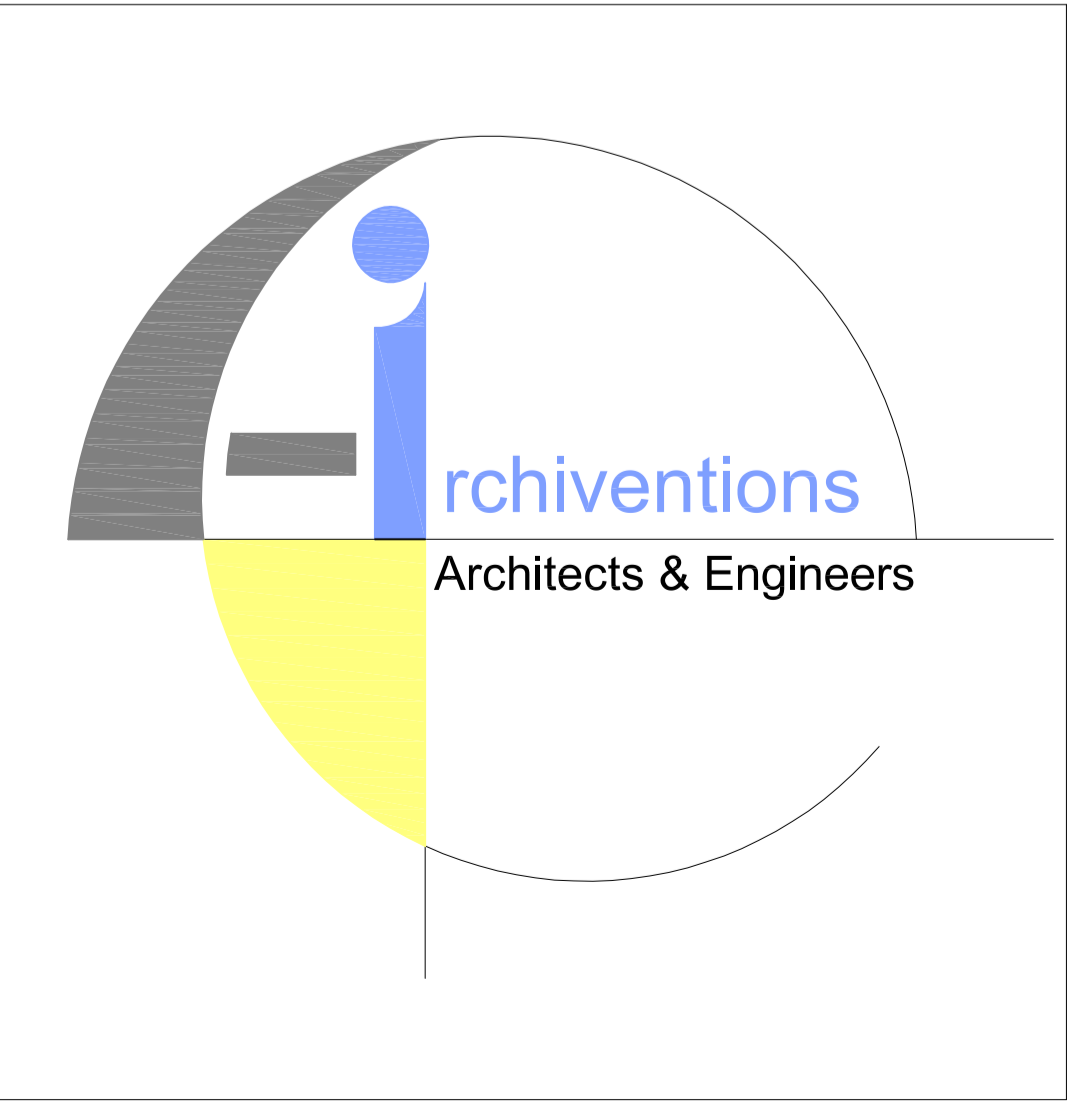
FOR HEAD OFFICE OF ASSAM GRAMIN VIKAS BANK AT GUWAHATI, ASSAM

COLOUR CODE	DEPARTMANT NAME
	CREDIT
	RECOVERY
	CREDIT MONITORING
	ACCOUNTS & INVESTMENTS
	INSPECTION & AUDIT
	PERSONEL
	I. T. & F. I.
	P & D AND C. S. (2ND FLOOR)
	VIGILANCE (2ND FLOOR)

FLOOR PLANS

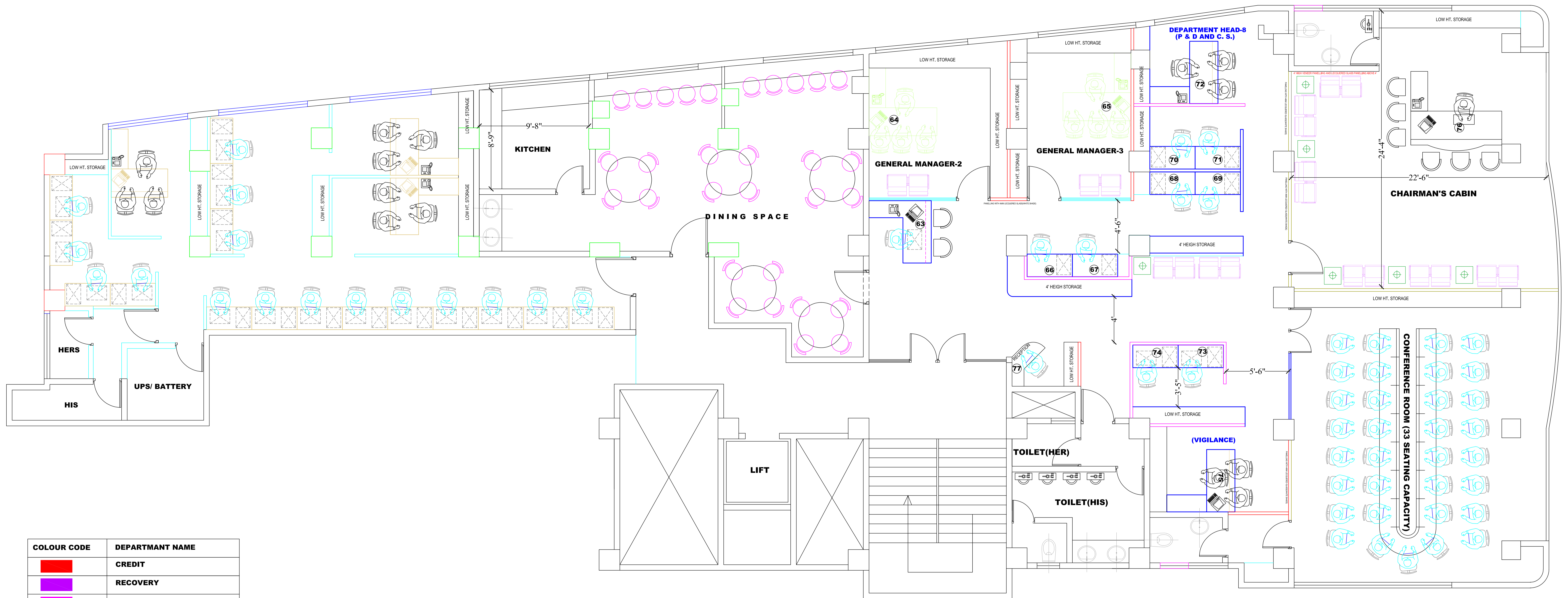
CLIENT ASSAM GRAMIN VIKAS BANK GUWAHATI HEAD OFFICE BHANGAGARH, G. S ROAD	Description of Proposal. PROPOSED LAYOUT PLAN FOR HEAD OFFICE OF ASSAM GRAMIN VIKAS BANK AT BHANGAGARH, GUWAHATI (FIRST FLOOR PLAN) CARPET AREA- 5235 SQ. FT (APPROX)				
NOTE- M/S ARCHIVENTIONS- ARCHITECTS & ENGINEERS RESERVES THE COPYRIGHT OF THE DRAWING AND HENCE IT SHOULD NOT BE REPRODUCED OR USED WITHOUT THE PRIOR PERMISSION FROM ARCHIVENTIONS. HOWEVER THE CLIENT MAY USE THE DRAWING FOR FURTHER APPROVAL AND TENDERING PURPOSE FOR THE SAID PROJECT					
JOB NO.	DATE	SCALE	DEALT BY	CHKD BY	DRG NO.
		N.T.S	HANNAN ALI	AR. DEBOJYOTI DEBROY	ARC-01

SIGN & STAMP



FIRM NAME & ADDRESS
ARCHIVENTIONS
Architects , Planners & Interior Designers
C.O.A. Regd. No.- CA / 2004 / 32922
Associate Member, IIA Regdn No- 17418
ADDRESS
Above Kalita Enterprises, 1st Floor
Bank of India Zoo Road Branch Building
Zunali, R.G. Baruah Road, Guwahati-781024
Ph- +91-361-2970463 / +91-9854062928
email- debojyoti@archiventions.com

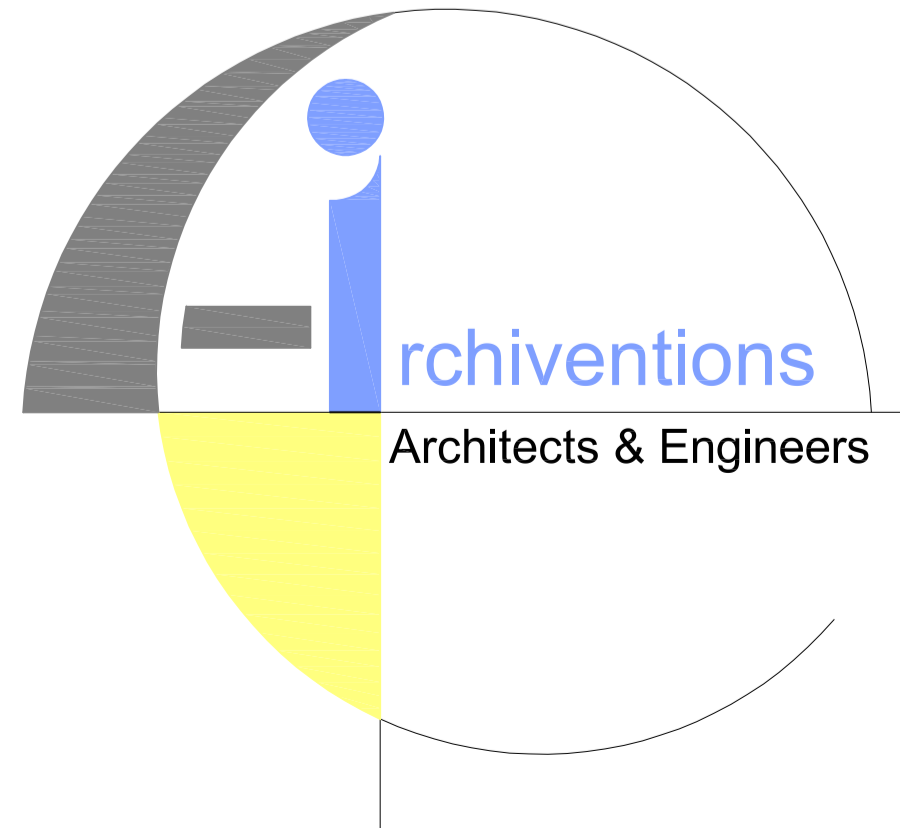
G. S. ROAD



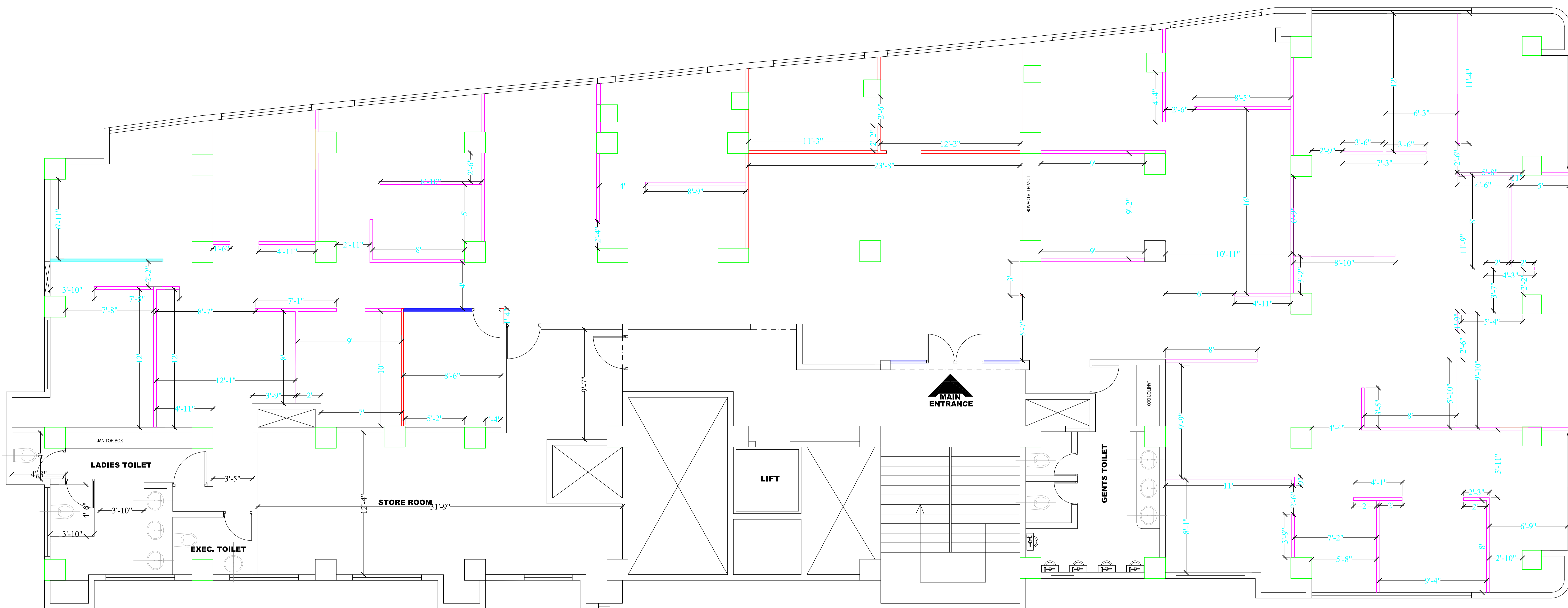
COLOUR CODE	DEPARTMANT NAME
	CREDIT
	RECOVERY
	CREDIT MONITORING
	ACCOUNTS & INVESTMENTS
	INSPECTION & AUDIT
	PERSONEL
	I. T. & F. I.
	P & D AND C. S. (2ND FLOOR)
	VIGILANCE (2ND FLOOR)

PROPOSED FURNITURE LAYOUT PLAN

FOR HEAD OFFICE OF ASSAM GRAMIN VIKAS BANK AT GUWAHATI, ASSAM

<p>CLIENT</p> <p>ASSAM GRAMIN VIKAS BANK GUWAHATI HEAD OFFICE BHANGAGARH, G. S ROAD</p>	<p>Description of Proposal.</p> <p style="text-align: center;">PARTITION LAYOUT FOR HEAD OFFICE OF ASSAM GRAMIN VIKAS BANK AT BHANGAGARH, GUWAHATI</p> <p style="text-align: center;">(SECOND FLOOR PLAN)</p> <p style="text-align: right;">CARPET AREA- 4195 SQ. FT (APPROX)</p> <p style="font-size: small; color: red;">NOTE- M/S ARCHIVENTIONS- ARCHITECTS & ENGINEERS RESERVES THE COPYRIGHT OF THE DRAWING AND HENCE IT SHOULD NOT BE REPRODUCED OR USED WITHOUT THE PRIOR PERMISSION FROM ARCHIVENTIONS. HOWEVER THE CLIENT MAY USE THE DRAWING FOR FURTHER APPROVAL AND TENDERING PURPOSE FOR THE SAID PROJECT</p>	<p>SIGN & STAMP</p>	 <p>rchiventions Architects & Engineers</p>	<p>FIRM NAME & ADDRESS</p> <p>ARCHIVENTIONS</p> <p style="font-size: small;">Architects , Planners & Interior Designers C.O.A. Regd. No.- CA / 2004 / 32922 Associate Member, IIA Regdn No- 17418</p> <p>ADDRESS</p> <p style="font-size: small;">Above Kalita Enterprises, 1st Floor Bank of India Zoo Road Branch Building Zunali, R.G. Baruah Road, Guwahati-781024 Ph- +91-361-2970463 / +91-9854062928 email- debojyoti@archiventions.com</p>												
<p>FLOOR PLANS</p>	<table border="1" style="width: 100%; border-collapse: collapse; font-size: x-small;"> <thead> <tr> <th>JOB NO.</th> <th>DATE</th> <th>SCALE</th> <th>DEALT BY</th> <th>CHKD BY</th> <th>DRG NO.</th> </tr> </thead> <tbody> <tr> <td></td> <td></td> <td style="text-align: center;">N.T.S</td> <td style="text-align: center;">HANNAN ALI</td> <td style="text-align: center;">AR. DEBOJYOTI DEBROY</td> <td style="text-align: center;">ARC-02</td> </tr> </tbody> </table>	JOB NO.	DATE	SCALE	DEALT BY	CHKD BY	DRG NO.			N.T.S	HANNAN ALI	AR. DEBOJYOTI DEBROY	ARC-02			
JOB NO.	DATE	SCALE	DEALT BY	CHKD BY	DRG NO.											
		N.T.S	HANNAN ALI	AR. DEBOJYOTI DEBROY	ARC-02											

G. S. ROAD



TOTAL SEATING CAPACITY PROVIDED- 62

PROPOSED PARTITION LAYOUT PLAN

FOR HEAD OFFICE OF ASSAM GRAMIN VIKAS BANK AT GUWAHATI, ASSAM

- FULL HEIGHT SOLID PARTITION
- FULL HEIGHT PARTLY GLAZED PARTITION
- SEMI HT SEMI GLAZED/ SOLID PARTITION
- FULL HEIGHT TOUGHENED GLASS PARTITION

CLIENT
ASSAM GRAMIN VIKAS BANK
 GUWAHATI HEAD OFFICE
 BHANGAGARH, G. S ROAD

FLOOR PLANS

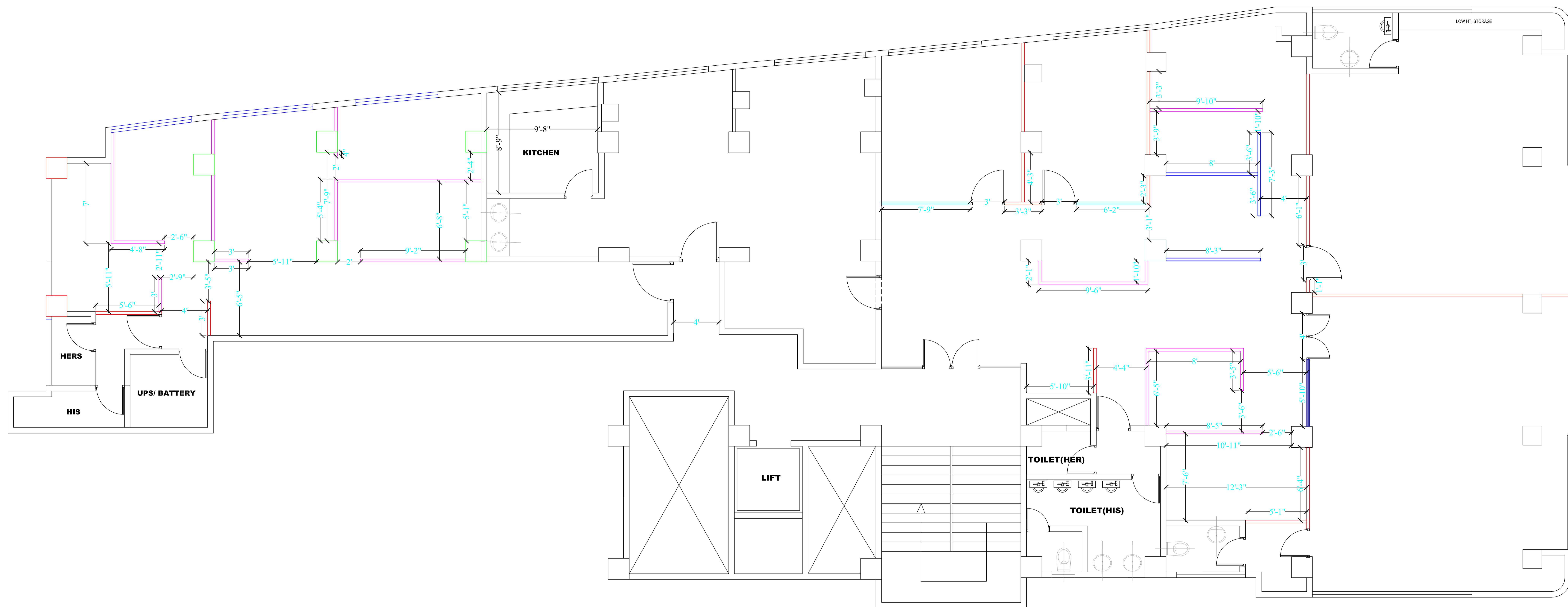
Description of Proposal.					
PROPOSED LAYOUT PLAN FOR HEAD OFFICE OF ASSAM GRAMIN VIKAS BANK AT BHANGAGARH, GUWAHATI					
(FIRST FLOOR PLAN)			CARPET AREA- 5235 SQ. FT (APPROX)		
<small>NOTE- M/S ARCHIVENTIONS- ARCHITECTS & ENGINEERS RESERVES THE COPYRIGHT OF THE DRAWING AND HENCE IT SHOULD NOT BE REPRODUCED OR USED WITHOUT THE PRIOR PERMISSION FROM ARCHIVENTIONS. HOWEVER THE CLIENT MAY USE THE DRAWING FOR FURTHER APPROVAL AND TENDERING PURPOSE FOR THE SAID PROJECT</small>					
JOB NO.	DATE	SCALE	DEALT BY	CHKD BY	DRG NO.
		N.T.S	HANNAN ALI	AR. DEBOJYOTI DEBROY	ARC-03

SIGN & STAMP



FIRM NAME & ADDRESS
ARCHIVENTIONS
 Architects , Planners & Interior Designers
 C.O.A. Regd. No.- CA / 2004 / 32922
 Associate Member, IIA Regdn No- 17418

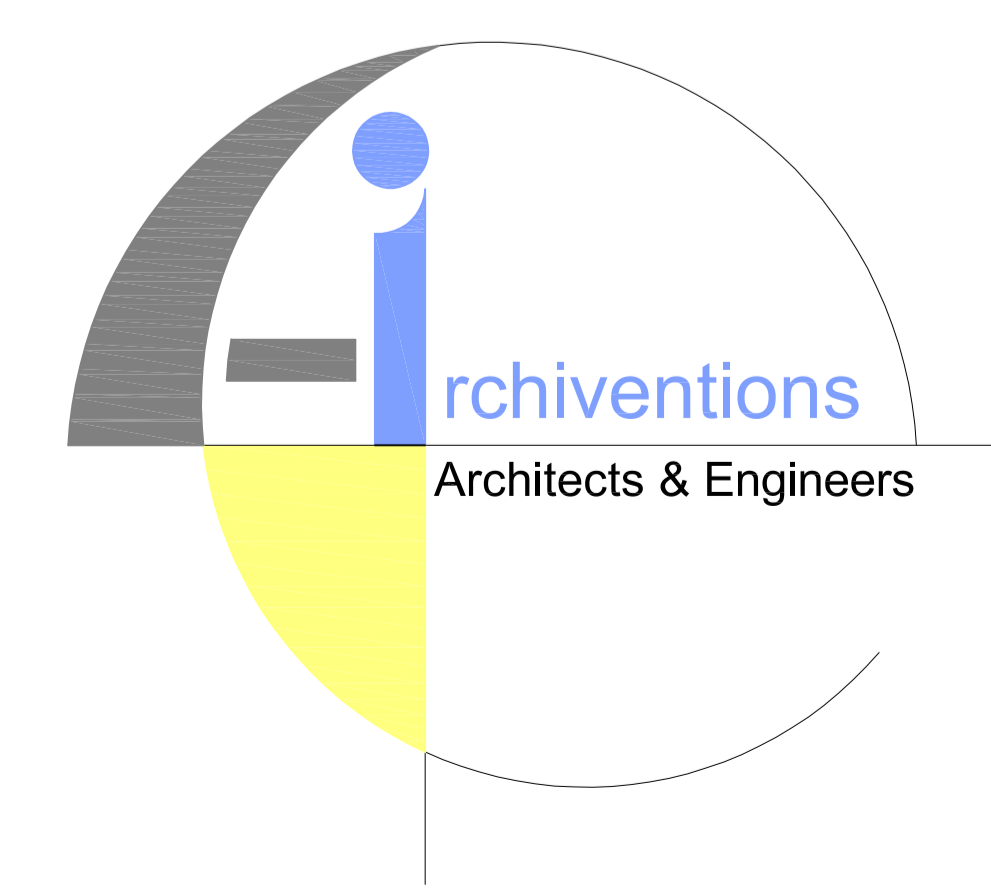
ADDRESS
 Above Kalita Enterprises, 1st Floor
 Bank of India Zoo Road Branch Building
 Zunali, R.G. Baruah Road, Guwahati-781024
 Ph- +91-361-2970463 / +91-9854062928
 email- debojyoti@archiventions.com



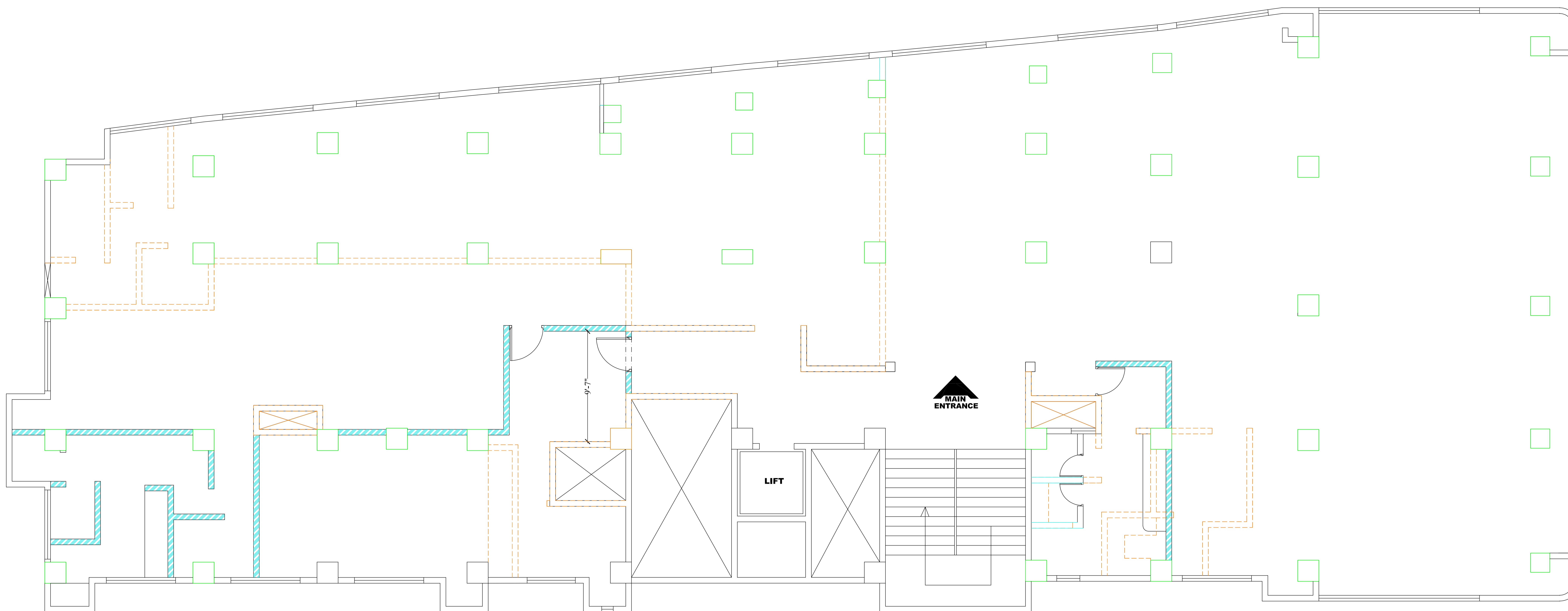
	FULL HEIGHT SOLID PARTITION
	FULL HEIGHT PARTLY GLAZED PARTITION
	SEMI HT SEMI GLAZED/ SOLID PARTITION
	FULL HEIGHT TOUGHENED GLASS PARTITION

PROPOSED PARTITION LAYOUT PLAN

FOR HEAD OFFICE OF ASSAM GRAMIN VIKAS BANK AT GUWAHATI, ASSAM

<p>CLIENT</p> <p>ASSAM GRAMIN VIKAS BANK GUWAHATI HEAD OFFICE BHANGAGARH, G.S ROAD</p>	<p>Description of Proposal.</p> <p>PARTITION LAYOUT FOR HEAD OFFICE OF ASSAM GRAMIN VIKAS BANK AT BHANGAGARH, GUWAHATI (SECOND FLOOR PLAN)</p> <p style="text-align: right;">CARPET AREA- 4195 SQ. FT (APPROX)</p> <p style="font-size: small; color: red;">NOTE- M/S ARCHIVENTIONS- ARCHITECTS & ENGINEERS RESERVES THE COPYRIGHT OF THE DRAWING AND HENCE IT SHOULD NOT BE REPRODUCED OR USED WITHOUT THE PRIOR PERMISSION FROM ARCHIVENTIONS. HOWEVER THE CLIENT MAY USE THE DRAWING FOR FURTHER APPROVAL AND TENDERING PURPOSE FOR THE SAID PROJECT</p>	<p>SIGN & STAMP</p>			<p>FIRM NAME & ADDRESS</p> <p>ARCHIVENTIONS Architects , Planners & Interior Designers C.O.A. Regd. No.- CA / 2004 / 32922 Associate Member, IIA Regdn No- 17418</p> <p>ADDRESS Above Kalita Enterprises, 1st Floor Bank of India Zoo Road Branch Building Zunali, R.G. Baruah Road, Guwahati-781024 Ph- +91-361-2970463 / +91-9854062928 email- debojyoti@archiventions.com</p>												
<p>FLOOR PLANS</p>	<table border="1" style="width: 100%; border-collapse: collapse; font-size: x-small;"> <thead> <tr> <th>JOB NO.</th> <th>DATE</th> <th>SCALE</th> <th>DEALT BY</th> <th>CHKD BY</th> <th>DRG NO.</th> </tr> </thead> <tbody> <tr> <td></td> <td></td> <td>N.T.S</td> <td>HANNAN ALI</td> <td>AR. DEBOJYOTI DEBROY</td> <td>ARC-04</td> </tr> </tbody> </table>	JOB NO.	DATE	SCALE	DEALT BY	CHKD BY	DRG NO.			N.T.S	HANNAN ALI	AR. DEBOJYOTI DEBROY	ARC-04				
JOB NO.	DATE	SCALE	DEALT BY	CHKD BY	DRG NO.												
		N.T.S	HANNAN ALI	AR. DEBOJYOTI DEBROY	ARC-04												

G. S. ROAD



- EXISTING BRICK WALLS TO BE DISMANTELLED
- EXISTING BRICK WALLS
- NEW BRICK WALLS TO BE CONSTRUCTED

PROPOSED LAYOUT SHOWING NEW BRICK WALL & EXISTING BRICK WALL TO BE DEMOLISHED FOR HEAD OFFICE OF ASSAM GRAMIN VIKAS BANK AT GUWAHATI, ASSAM

CLIENT	Description of Proposal.				
ASSAM GRAMIN VIKAS BANK GUWAHATI HEAD OFFICE BHANGAGARH, G.S ROAD	PROPOSED LAYOUT SHOWING NEW BRICK WALL & EXISTING BRICK WALL TO BE DEMOLISHED OF ASSAM GRAMIN VIKAS BANK AT BHANGAGARH, GUWAHATI (FIRST FLOOR PLAN) CARPET AREA- 5235 SQ. FT (APPROX)				
FLOOR PLANS	NOTE- M/S ARCHIVENTIONS- ARCHITECTS & ENGINEERS RESERVES THE COPYRIGHT OF THE DRAWING AND HENCE IT SHOULD NOT BE REPRODUCED OR USED WITHOUT THE PRIOR PERMISSION FROM ARCHIVENTIONS. HOWEVER THE CLIENT MAY USE THE DRAWING FOR FURTHER APPROVAL AND TENDERING PURPOSE FOR THE SAID PROJECT				
	JOB NO.	DATE	SCALE	DEALT BY	CHKD BY
			N.T.S	HANNAN ALI	AR. DEBOJYOTI DEBROY
				DRG NO.	ARC-05

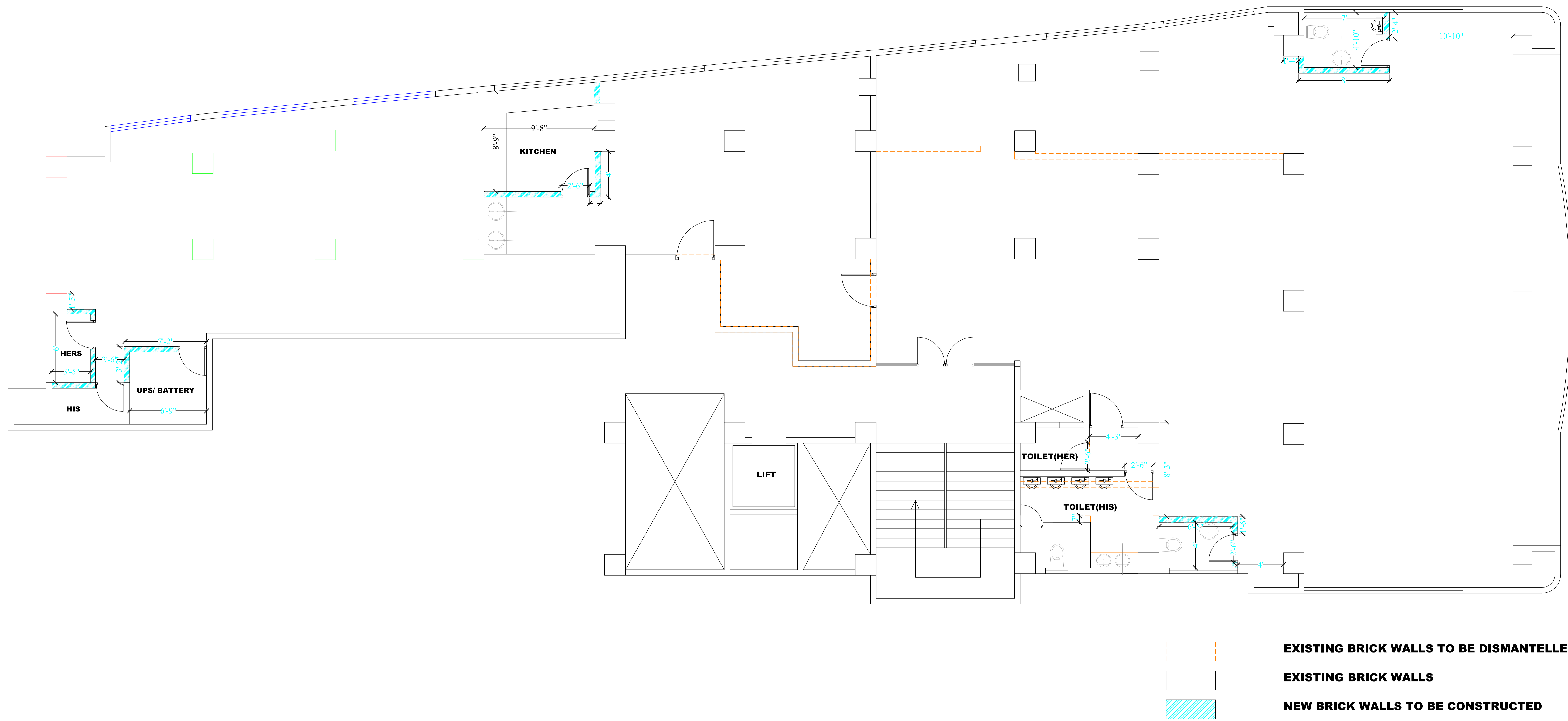
SIGN & STAMP



FIRM NAME & ADDRESS

ARCHIVENTIONS
Architects , Planners & Interior Designers
C.O.A. Regd. No.- CA / 2004 / 32922
Associate Member, IIA Regdn No- 17418

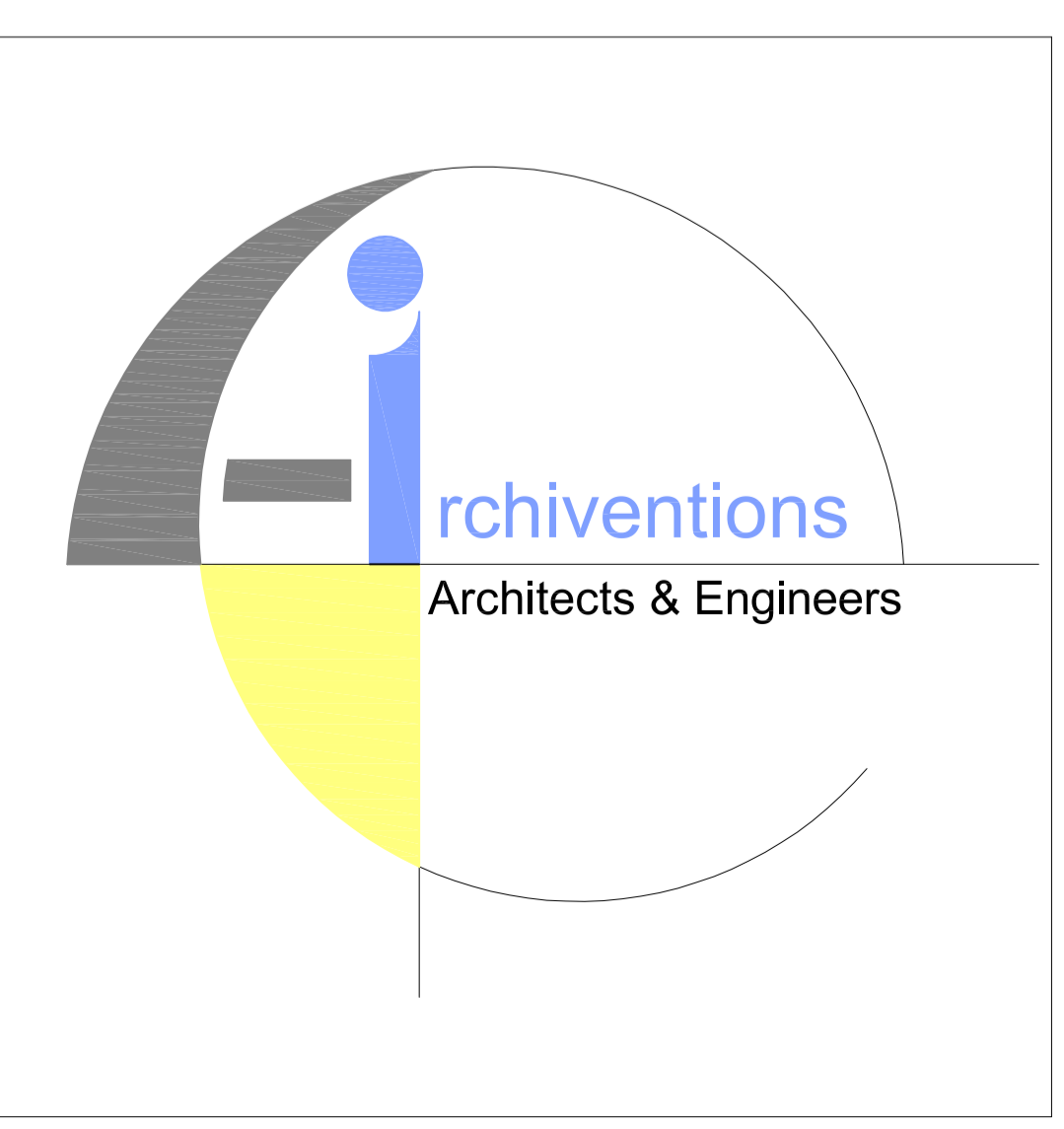
ADDRESS
Above Kalita Enterprises, 1st Floor
Bank of India Zoo Road Branch Building
Zunali, R.G. Baruah Road, Guwahati-781024
Ph- +91-361-2970463 / +91-9854062928
email- debojyoti@archiventions.com



**PROPOSED LAYOUT SHOWING NEW BRICK WALL & EXISTING BRICK WALL TO BE DEMOLISHED
FOR HEAD OFFICE OF ASSAM GRAMIN VIKAS BANK AT GUWAHATI, ASSAM**

CLIENT	Description of Proposal.				
ASSAM GRAMIN VIKAS BANK GUWAHATI HEAD OFFICE BHANGAGARH, G.S ROAD	PROPOSED LAYOUT SHOWING NEW BRICK WALL & EXISTING BRICK WALL TO BE DEMOLISHED OF ASSAM GRAMIN VIKAS BANK AT BHANGAGARH, GUWAHATI (FIRST FLOOR PLAN)				
	CARPET AREA- 5235 SQ. FT (APPROX)				
FLOOR PLANS	NOTE- M/S ARCHIVENTIONS- ARCHITECTS & ENGINEERS RESERVES THE COPYRIGHT OF THE DRAWING AND HENCE IT SHOULD NOT BE REPRODUCED OR USED WITHOUT THE PRIOR PERMISSION FROM ARCHIVENTIONS. HOWEVER THE CLIENT MAY USE THE DRAWING FOR FURTHER APPROVAL AND TENDERING PURPOSE FOR THE SAID PROJECT				
	JOB NO.	DATE	SCALE	DEALT BY	CHKD BY
			N.T.S	HANNAN ALI	AR. DEBOJYOTI DEBROY
				DRG NO.	ARC-06

SIGN & STAMP

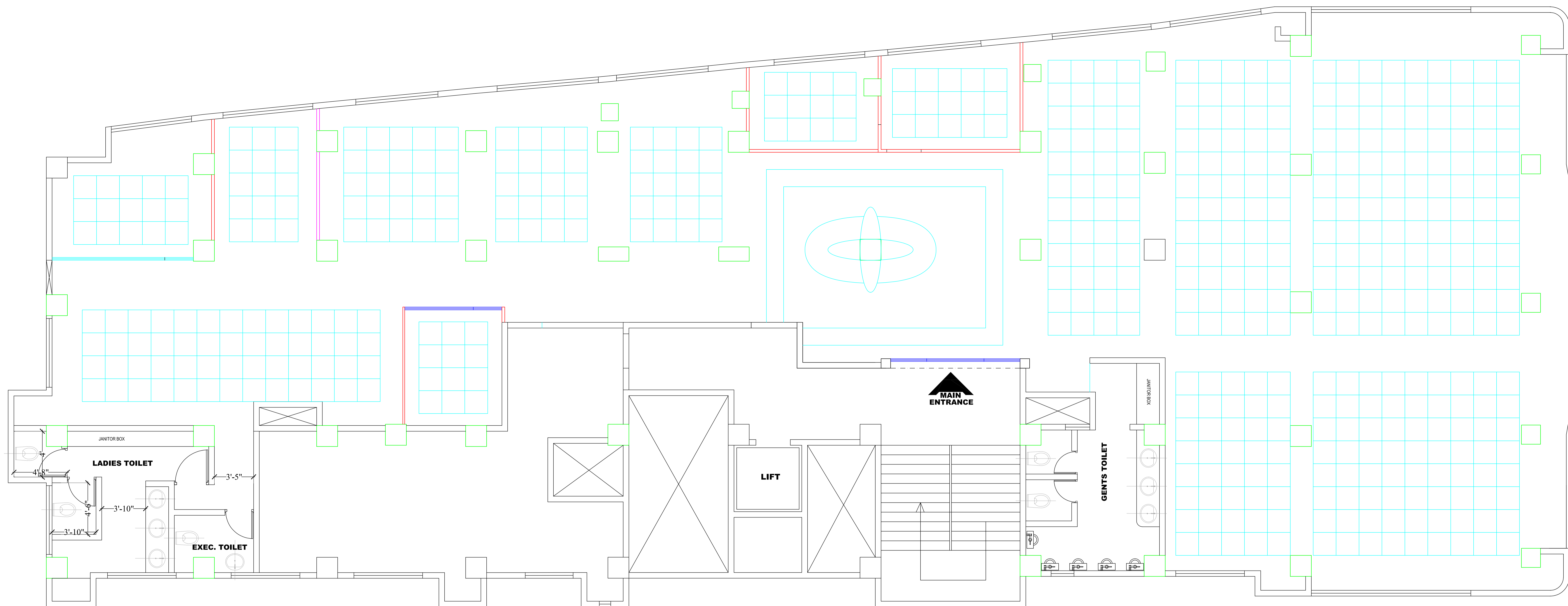


FIRM NAME & ADDRESS

ARCHIVENTIONS

Architects , Planners & Interior Designers
C.O.A. Regd. No.- CA / 2004 / 32922
Associate Member, IIA Regdn No- 17418

ADDRESS
Above Kalita Enterprises, 1st Floor
Bank of India Zoo Road Branch Building
Zunali, R.G. Baruah Road, Guwahati-781024
Ph- +91-361-2970463 / +91-9854062928
email- debojyoti@archiventions.com



P R O P O S E D F A L S E C E I L I N G L A Y O U T P L A N

FOR HEAD OFFICE OF ASSAM GRAMIN VIKAS BANK AT GUWAHATI, ASSAM

CLIENT ASSAM GRAMIN VIKAS BANK GUWAHATI HEAD OFFICE BHANGAGARH, G.S ROAD	Description of Proposal. <h3 style="text-align: center;">PROPOSED FALSE CEILING LAYOUT PLAN</h3> <h4 style="text-align: center;">OF ASSAM GRAMIN VIKAS BANK'S H.O AT GUWAHATI</h4> <p style="text-align: center;">(FIRST FLOOR PLAN) CARPET AREA- 5235 SQ. FT (APPROX)</p> <p style="font-size: small; text-align: center; color: red;">NOTE- M/S ARCHIVENTIONS- ARCHITECTS & ENGINEERS RESERVES THE COPYRIGHT OF THE DRAWING AND HENCE IT SHOULD NOT BE REPRODUCED OR USED WITHOUT THE PRIOR PERMISSION FROM ARCHIVENTIONS. HOWEVER THE CLIENT MAY USE THE DRAWING FOR FURTHER APPROVAL AND TENDERING PURPOSE FOR THE SAID PROJECT</p>												
FLOOR PLANS	<table border="1" style="width: 100%; border-collapse: collapse;"> <tr> <th style="width: 15%;">JOB NO.</th> <th style="width: 15%;">DATE</th> <th style="width: 15%;">SCALE</th> <th style="width: 15%;">DEALT BY</th> <th style="width: 15%;">CHKD BY</th> <th style="width: 15%;">DRG NO.</th> </tr> <tr> <td></td> <td></td> <td style="text-align: center;">N.T.S</td> <td style="text-align: center;">HANNAN ALI</td> <td style="text-align: center;">AR. DEBOJYOTI DEBROY</td> <td style="text-align: center;">ARC-07</td> </tr> </table>	JOB NO.	DATE	SCALE	DEALT BY	CHKD BY	DRG NO.			N.T.S	HANNAN ALI	AR. DEBOJYOTI DEBROY	ARC-07
	JOB NO.	DATE	SCALE	DEALT BY	CHKD BY	DRG NO.							
		N.T.S	HANNAN ALI	AR. DEBOJYOTI DEBROY	ARC-07								

SIGN & STAMP



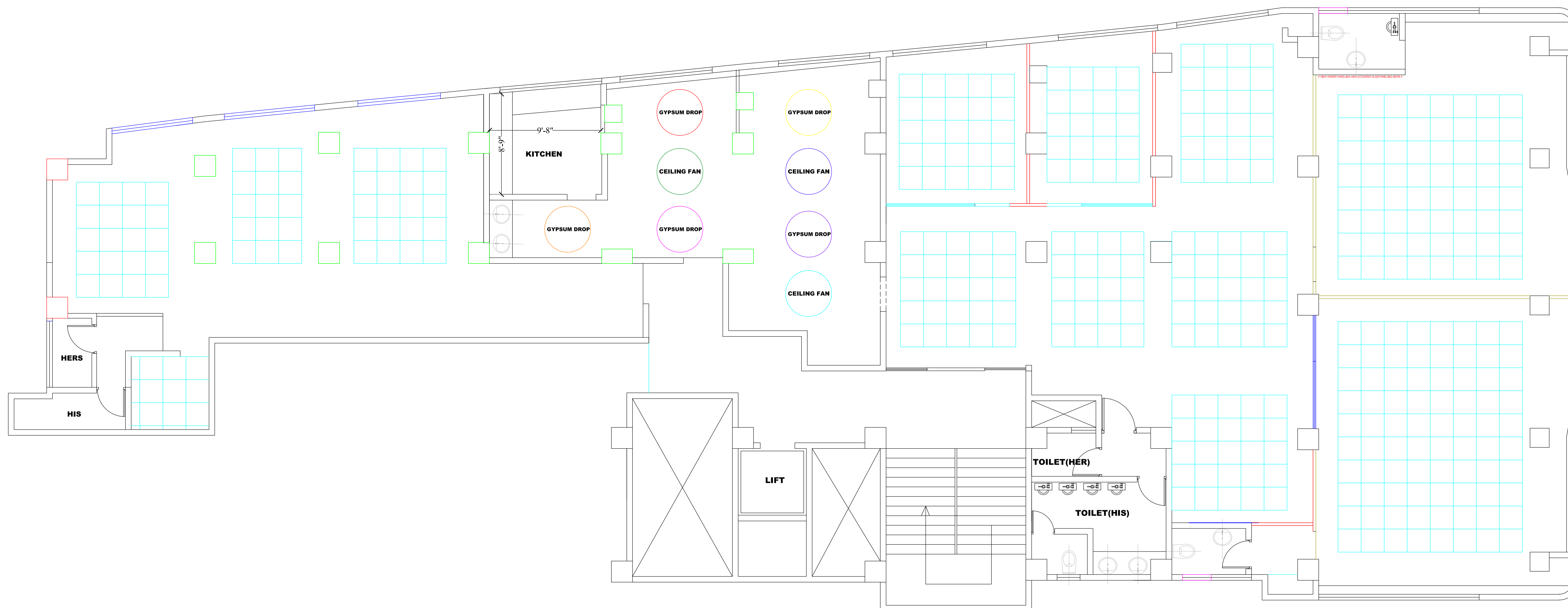
FIRM NAME & ADDRESS

ARCHIVENTIONS

Architects , Planners & Interior Designers
 C.O.A. Regd. No.- CA / 2004 / 32922
 Associate Member, IIA Regdn No- 17418

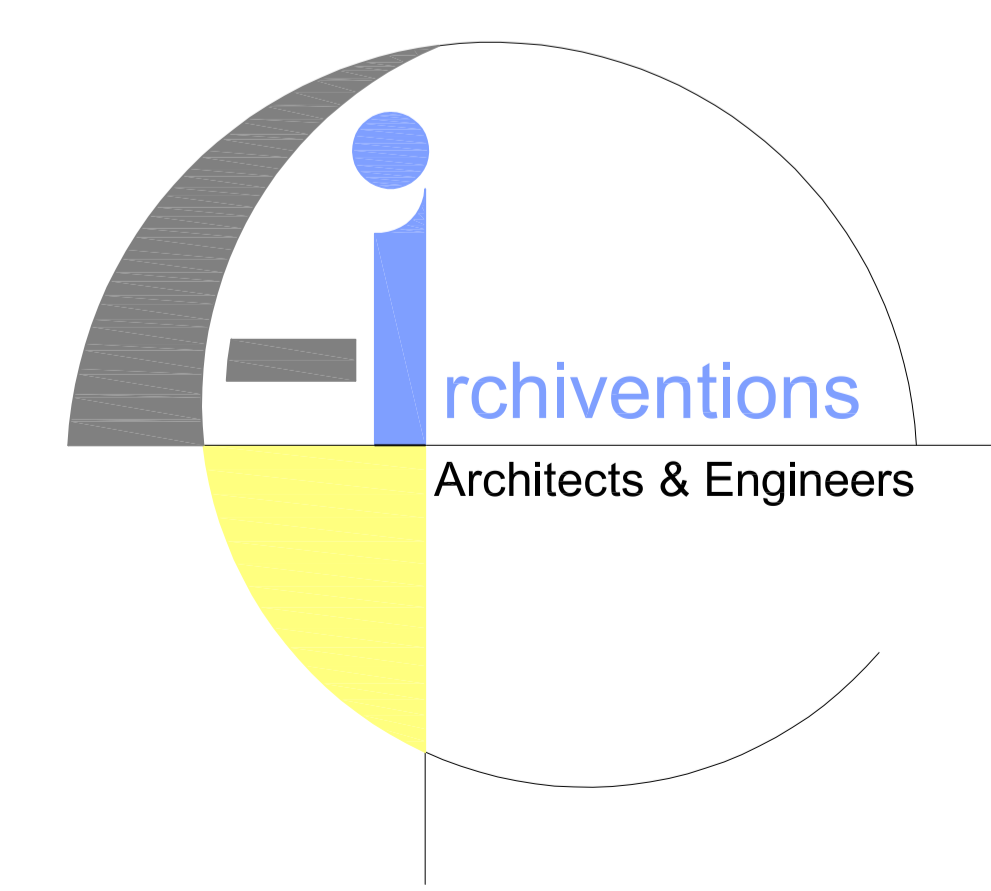
ADDRESS

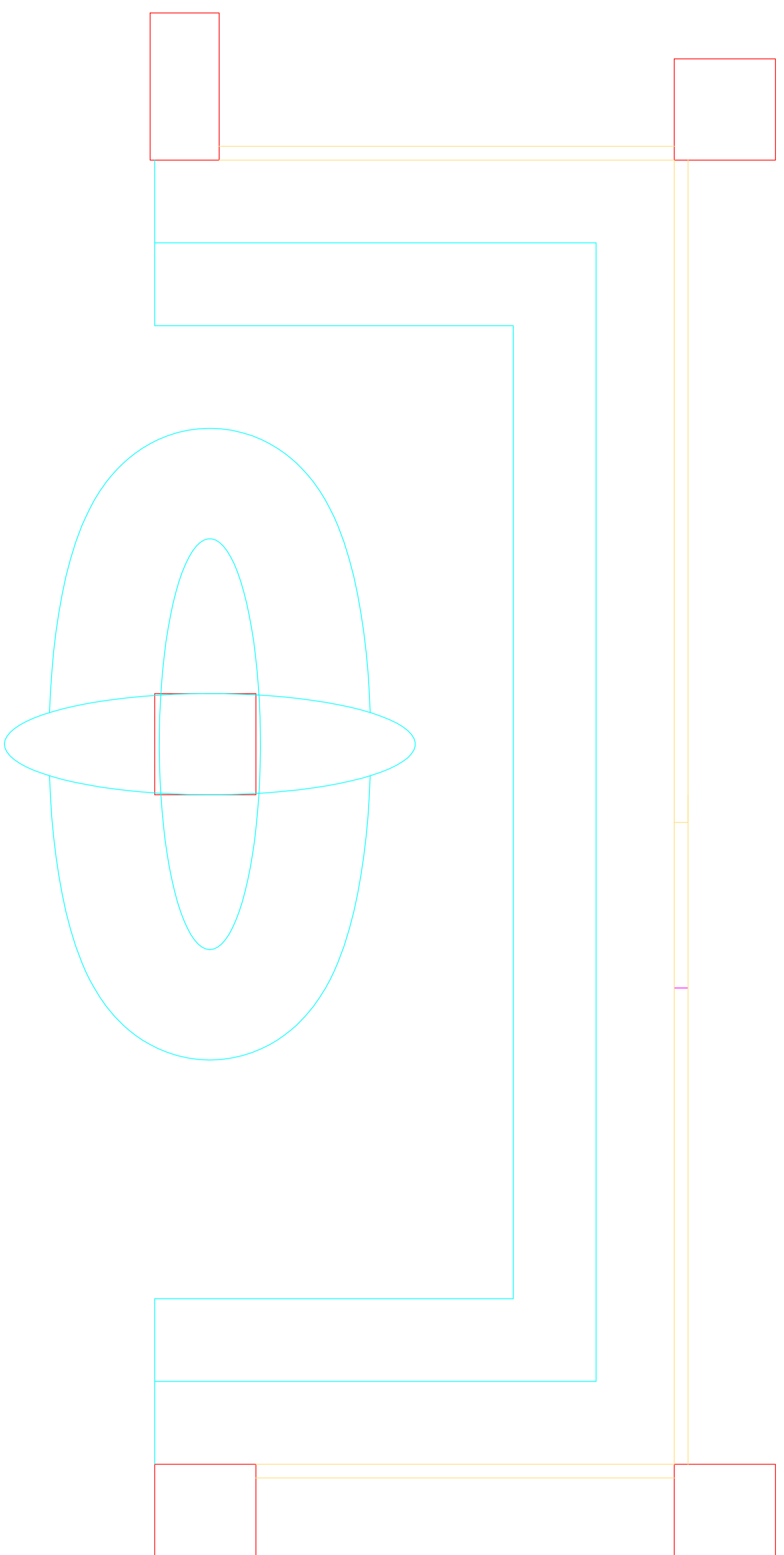
Above Kalita Enterprises, 1st Floor
 Bank of India Zoo Road Branch Building
 Zunali, R.G. Baruah Road, Guwahati-781024
 Ph- +91-361-2970463 / +91-9854062928
 email- debojyoti@archiventions.com



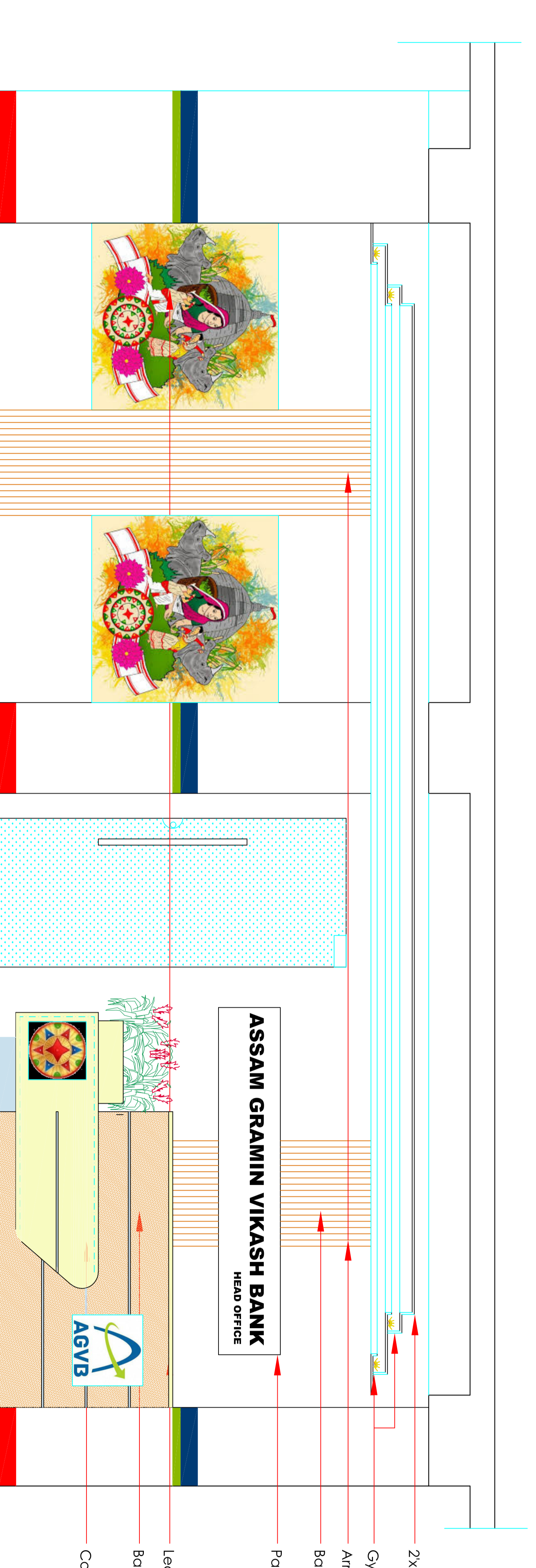
P R O P O S E D F A L S E C E I L I N G L A Y O U T P L A N

FOR HEAD OFFICE OF ASSAM GRAMIN VIKAS BANK AT GUWAHATI, ASSAM

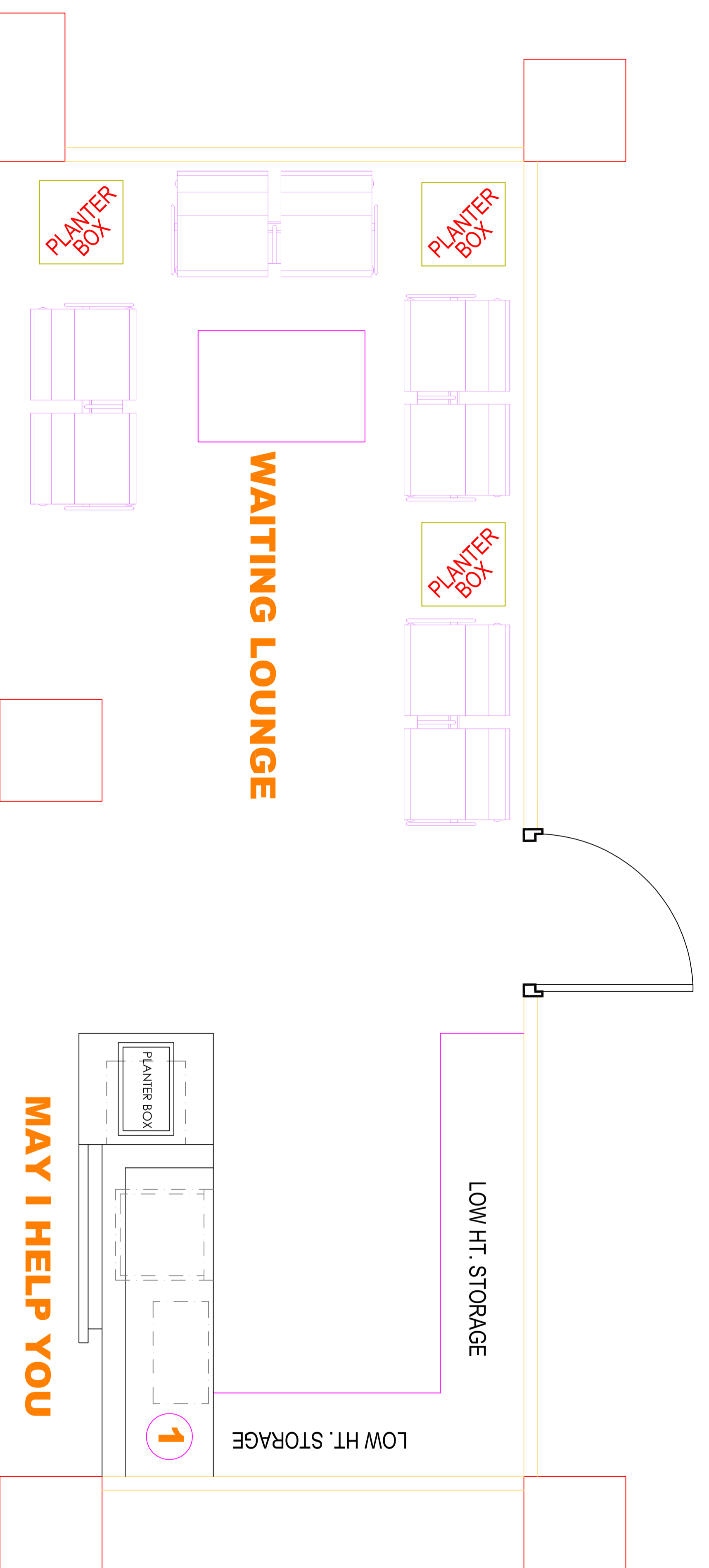
<p>CLIENT</p> <p>ASSAM GRAMIN VIKAS BANK GUWAHATI HEAD OFFICE BHANGGARH, G.S ROAD</p>	<p>Description of Proposal.</p> <p style="text-align: center;">PROPOSED FALSE CEILING LAYOUT PLAN OF ASSAM GRAMIN VIKAS BANK'S H.O AT GUWAHATI</p> <p style="text-align: center;">(SECOND FLOOR PLAN) CARPET AREA- 4195 SQ. FT (APPROX)</p> <p style="font-size: small; color: red;">NOTE- M/S ARCHIVENTIONS- ARCHITECTS & ENGINEERS RESERVES THE COPYRIGHT OF THE DRAWING AND HENCE IT SHOULD NOT BE REPRODUCED OR USED WITHOUT THE PRIOR PERMISSION FROM ARCHIVENTIONS. HOWEVER THE CLIENT MAY USE THE DRAWING FOR FURTHER APPROVAL AND TENDERING PURPOSE FOR THE SAID PROJECT</p>	<p>SIGN & STAMP</p>	 <p>ARCHIVENTIONS Architects & Engineers</p>	<p>FIRM NAME & ADDRESS</p> <p>ARCHIVENTIONS Architects , Planners & Interior Designers C.O.A. Regd. No.- CA / 2004 / 32922 Associate Member, IIA Regdn No- 17418</p> <p>ADDRESS Above Kalita Enterprises, 1st Floor Bank of India Zoo Road Branch Building Zunali, R.G. Baruah Road, Guwahati-781024 Ph- +91-361-2970463 / +91-9854062928 email- debojyoti@archiventions.com</p>												
<p>FLOOR PLANS</p>	<table border="1" style="width: 100%; border-collapse: collapse;"> <thead> <tr> <th style="width: 15%;">JOB NO.</th> <th style="width: 15%;">DATE</th> <th style="width: 15%;">SCALE</th> <th style="width: 15%;">DEALT BY</th> <th style="width: 15%;">CHKD BY</th> <th style="width: 15%;">DRG NO.</th> </tr> </thead> <tbody> <tr> <td></td> <td></td> <td style="text-align: center;">N.T.S</td> <td style="text-align: center;">HANNAN ALI</td> <td style="text-align: center;">AR. DEBOJYOTI DEBROY</td> <td style="text-align: center;">ARC-08</td> </tr> </tbody> </table>	JOB NO.	DATE	SCALE	DEALT BY	CHKD BY	DRG NO.			N.T.S	HANNAN ALI	AR. DEBOJYOTI DEBROY	ARC-08			
JOB NO.	DATE	SCALE	DEALT BY	CHKD BY	DRG NO.											
		N.T.S	HANNAN ALI	AR. DEBOJYOTI DEBROY	ARC-08											



FALSE CEILING LAYOUT OF RECEPTION AREA



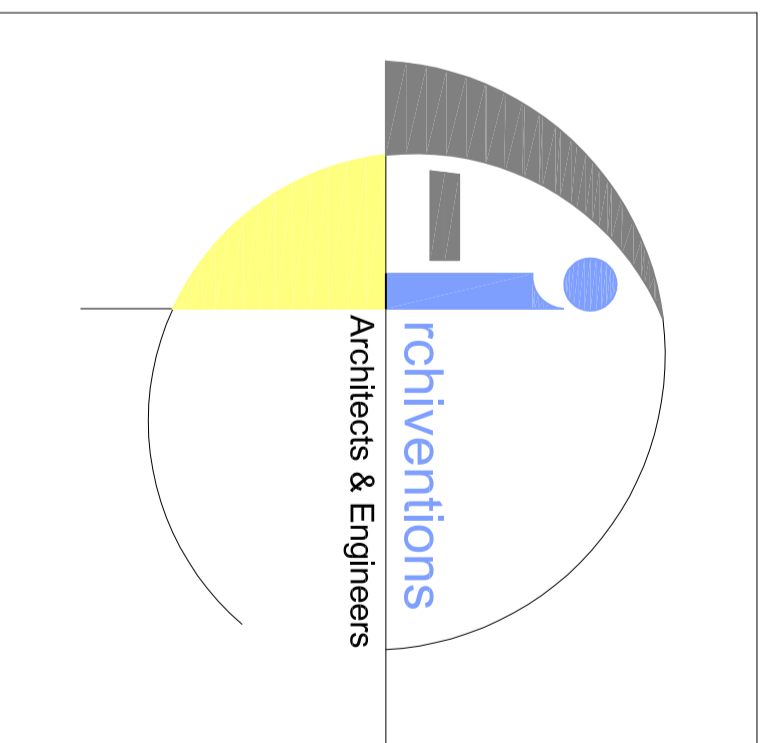
SECTIONAL ELEVATION OF RECEPTION AREA



LAYOUT OF RECEPTION AREA

CLIENT		Description of Proposal:	
ASSAM GRAMIN VIKAS BANK GUWAHATI HEAD OFFICE BHANGAGARH, G. S ROAD		DETAIL OF RECEPTION AREA OF ASSAM GRAMIN VIKAS BANKS H.O AT GUWAHATI	
<small>NOTE: IAS ARCHITENTIONS, ARCHITECTS & ENGINEERS RESERVES THE COPYRIGHT OF THE DRAWING AND, HENCE IT SHOULD NOT BE REPRODUCED OR USED WITHOUT THE PRIOR PERMISSION FROM ARCHITENTIONS. HOWEVER THE CLIENT MAY USE THE DRAWING FOR FURTHER APPROVAL AND TENDERING PURPOSE FOR THE SAID PROJECT.</small>			
JOB NO.	DATE	SCALE	DATE BY
		N.T.S	HANMANJALI
		CHKD BY	DRG. NO.
		A.S. DEBOJOYTI DEBROY	ARC-08

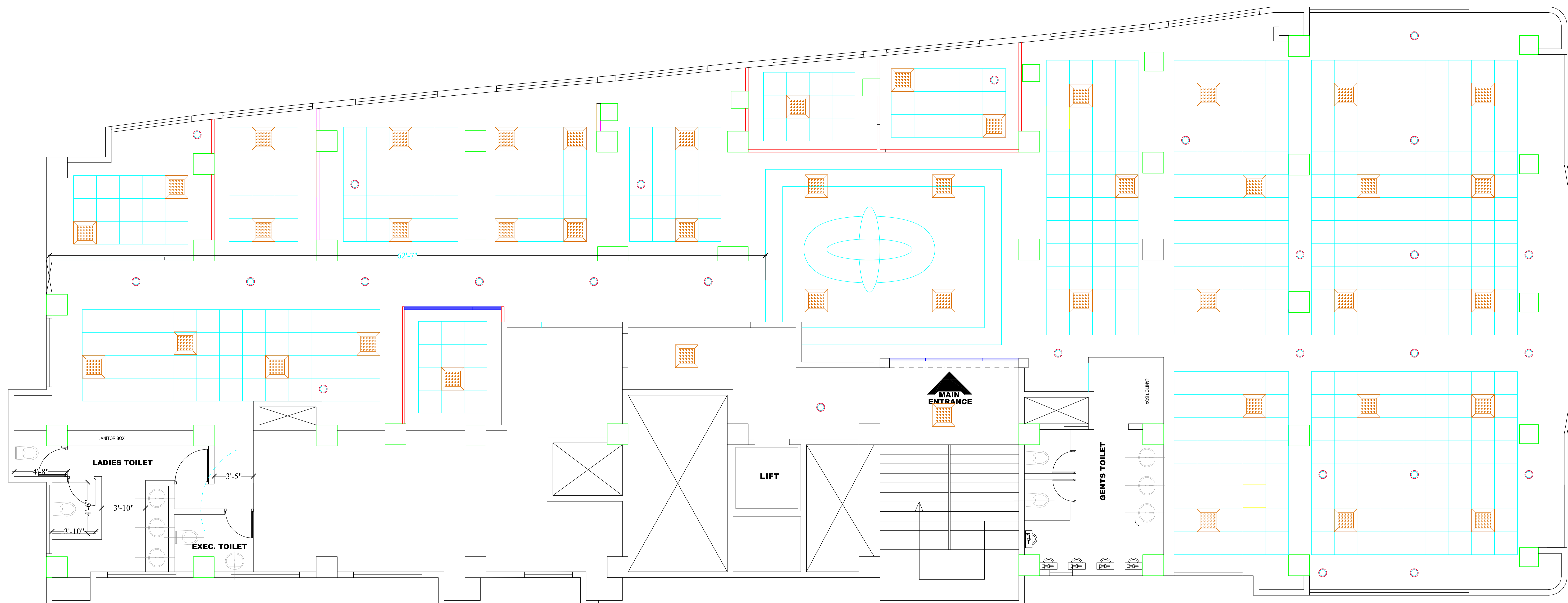
SIGN & STAMP



FIRM NAME & ADDRESS

ARCHITENTIONS
Architects, Planners & Interior Designers
C.O.A. Regd. No.- CA / 2004 / 32922
Associate Member, IIA Regdn No.- 17418

ADDRESS
Above Kallia Enterprises, 1st Floor
Bank of India Zoo Road Branch Building
Zunail, R.G. Baruan Road, Guwahati-781024
Ph- +91-361-2970463 / +91-9854062928
email- debojoyoti@architentions.com



TOTAL SEATING CAPACITY PROVIDED- 62

PROPOSED LIGHT POSITIONS PLAN

FOR HEAD OFFICE OF ASSAM GRAMIN VIKAS BANK AT GUWAHATI, ASSAM

- FULL HEIGHT SOLID PARTITION
- FULL HEIGHT PARTLY GLAZED PARTITION
- SEMI HT SEMI GLAZED/ SOLID PARTITION
- FULL HEIGHT TOUGHENED GLASS PARTITION

CLIENT
ASSAM GRAMIN VIKAS BANK
 GUWAHATI HEAD OFFICE
 BHANGAGARH, G.S ROAD

Description of Proposal.
PROPOSED LAYOUT PLAN FOR HEAD OFFICE
OF ASSAM GRAMIN VIKAS BANK AT BHANGAGARH, GUWAHATI
 (FIRST FLOOR PLAN) CARPET AREA- 5235 SQ. FT (APPROX)

SIGN & STAMP

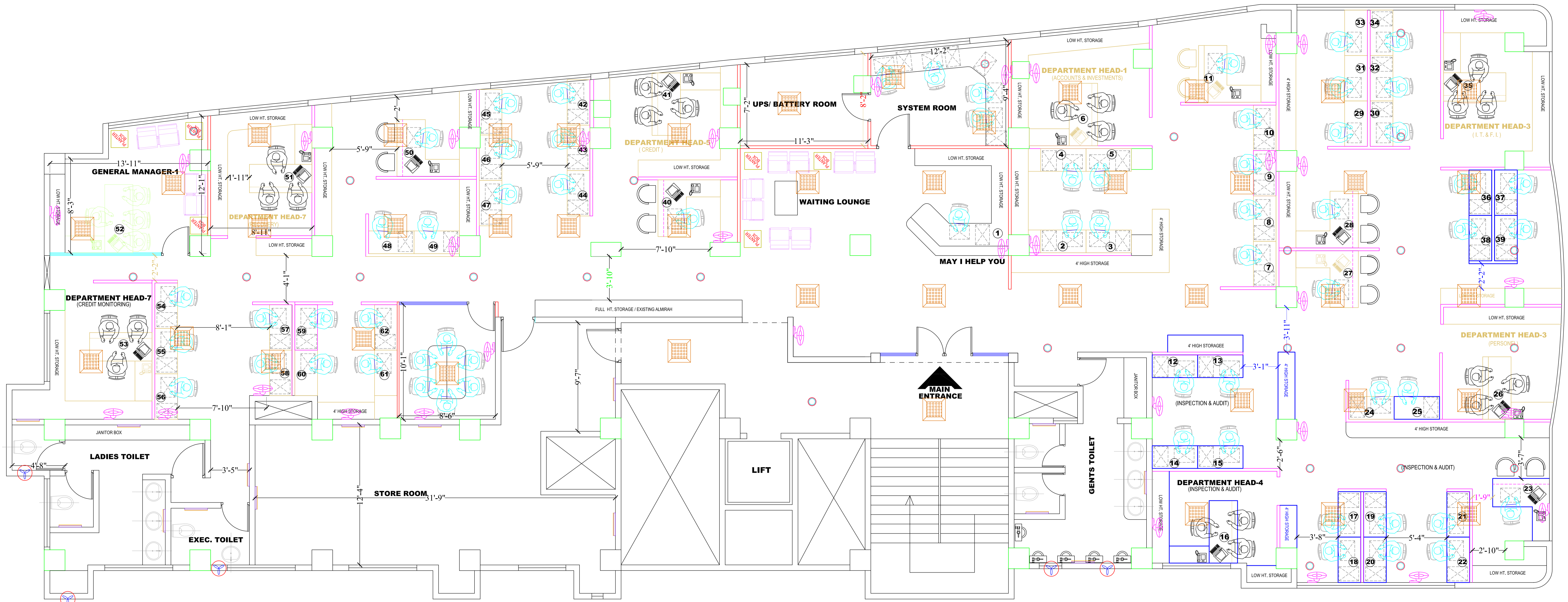


FIRM NAME & ADDRESS
ARCHIVENTIONS
 Architects , Planners & Interior Designers
 C.O.A. Regd. No.- CA / 2004 / 32922
 Associate Member, IIA Regdn No- 17418
ADDRESS
 Above Kalita Enterprises, 1st Floor
 Bank of India Zoo Road Branch Building
 Zunali, R.G. Baruah Road, Guwahati-781024
 Ph- +91-361-2970463 / +91-9854062928
 email- debojyoti@archiventions.com

FLOOR PLANS

NOTE- M/S ARCHIVENTIONS- ARCHITECTS & ENGINEERS RESERVES THE COPYRIGHT OF THE DRAWING AND HENCE IT SHOULD NOT BE REPRODUCED OR USED WITHOUT THE PRIOR PERMISSION FROM ARCHIVENTIONS. HOWEVER THE CLIENT MAY USE THE DRAWING FOR FURTHER APPROVAL AND TENDERING PURPOSE FOR THE SAID PROJECT

JOB NO.	DATE	SCALE	DEALT BY	CHKD BY	DRG NO.
		N.T.S	HANNAN ALI	AR. DEBOJYOTI DEBROY	ELEC-1



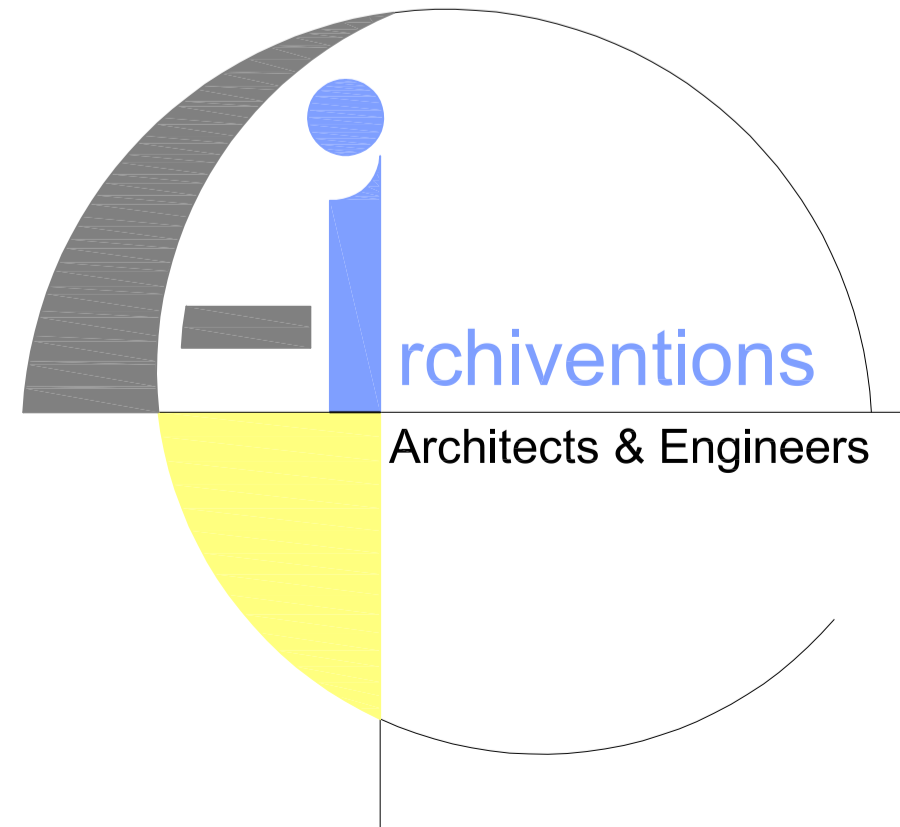
TOTAL SEATING CAPACITY PROVIDED- 62

- FULL HEIGHT SOLID PARTITION
- FULL HEIGHT PARTLY GLAZED PARTITION
- SEMI HT SEMI GLAZED/ SOLID PARTITION
- FULL HEIGHT TOUGHENED GLASS PARTITION

PROPOSED FURNITURE LAYOUT PLAN

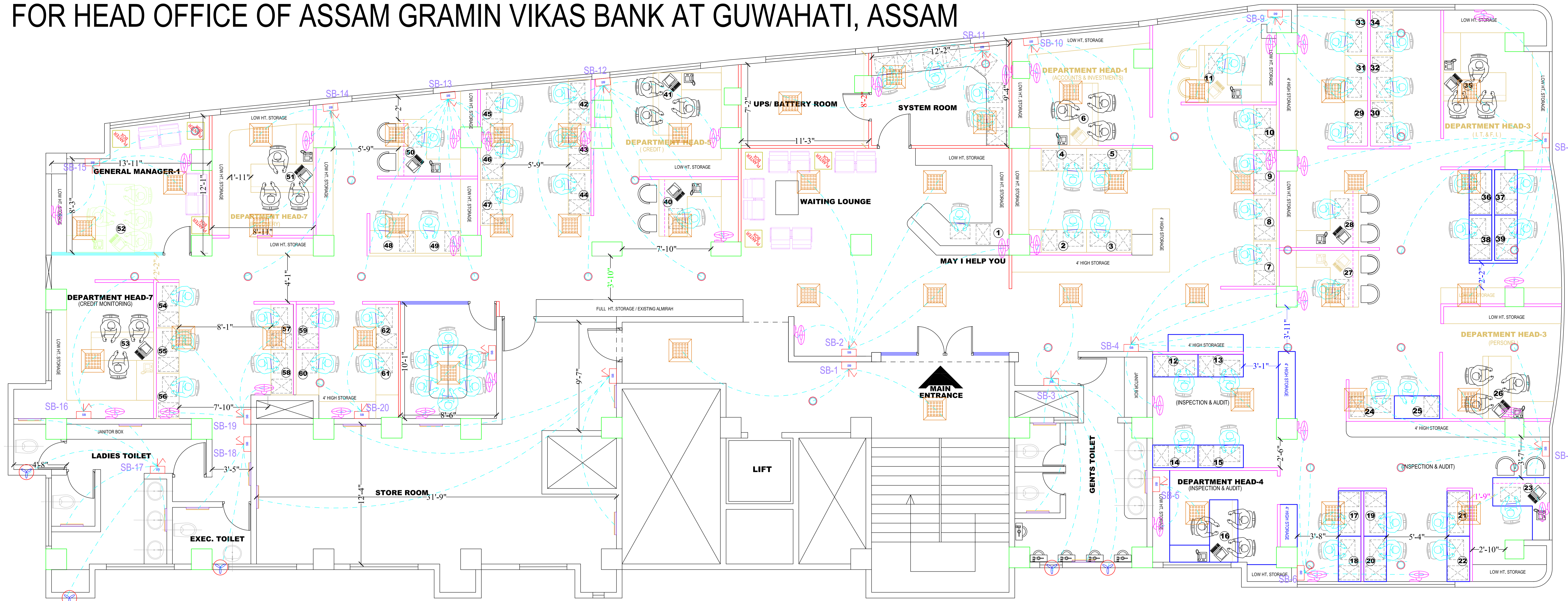
FOR HEAD OFFICE OF ASSAM GRAMIN VIKAS BANK AT GUWAHATI, ASSAM

<p>CLIENT</p> <p>ASSAM GRAMIN VIKAS BANK GUWAHATI HEAD OFFICE BHANGAGARH, G. S ROAD</p>	<p>Description of Proposal.</p> <p style="text-align: center;">PROPOSED LAYOUT PLAN FOR HEAD OFFICE OF ASSAM GRAMIN VIKAS BANK AT BHANGAGARH, GUWAHATI</p> <p style="text-align: center;">(FIRST FLOOR PLAN) CARPET AREA- 5235 SQ. FT (APPROX)</p> <p style="font-size: small; color: red;">NOTE- M/S ARCHIVENTIONS- ARCHITECTS & ENGINEERS RESERVES THE COPYRIGHT OF THE DRAWING AND HENCE IT SHOULD NOT BE REPRODUCED OR USED WITHOUT THE PRIOR PERMISSION FROM ARCHIVENTIONS. HOWEVER THE CLIENT MAY USE THE DRAWING FOR FURTHER APPROVAL AND TENDERING PURPOSE FOR THE SAID PROJECT</p>												
FLOOR PLANS	<table border="1" style="width: 100%; border-collapse: collapse; font-size: x-small;"> <thead> <tr> <th>JOB NO.</th> <th>DATE</th> <th>SCALE</th> <th>DEALT BY</th> <th>CHKD BY</th> <th>DRG NO.</th> </tr> </thead> <tbody> <tr> <td></td> <td></td> <td>N.T.S</td> <td>HANNAN ALI</td> <td>AR. DEBOJYOTI DEBROY</td> <td>ELEC-2</td> </tr> </tbody> </table>	JOB NO.	DATE	SCALE	DEALT BY	CHKD BY	DRG NO.			N.T.S	HANNAN ALI	AR. DEBOJYOTI DEBROY	ELEC-2
JOB NO.	DATE	SCALE	DEALT BY	CHKD BY	DRG NO.								
		N.T.S	HANNAN ALI	AR. DEBOJYOTI DEBROY	ELEC-2								

SIGN & STAMP	 <p>rchiventions Architects & Engineers</p>	<p style="text-align: center;">FIRM NAME & ADDRESS</p> <p style="text-align: center;">ARCHIVENTIONS</p> <p style="font-size: x-small;">Architects , Planners & Interior Designers C.O.A. Regd. No.- CA / 2004 / 32922 Associate Member, IIA Regdn No- 17418</p> <p style="font-size: x-small;">ADDRESS Above Kalita Enterprises, 1st Floor Bank of India Zoo Road Branch Building Zunali, R.G. Baruah Road, Guwahati-781024 Ph- +91-361-2970463 / +91-9854062928 email- debojyoti@archiventions.com</p>
-------------------------	--	---

PROPOSED ELECTRICAL WIRING PLAN FOR HEAD OFFICE OF ASSAM GRAMIN VIKAS BANK AT GUWAHATI, ASSAM

LAYOUT REVISED ON 09.07.2021



TOTAL SEATING CAPACITY PROVIDED- 62

ELECTRICAL LEGENDS

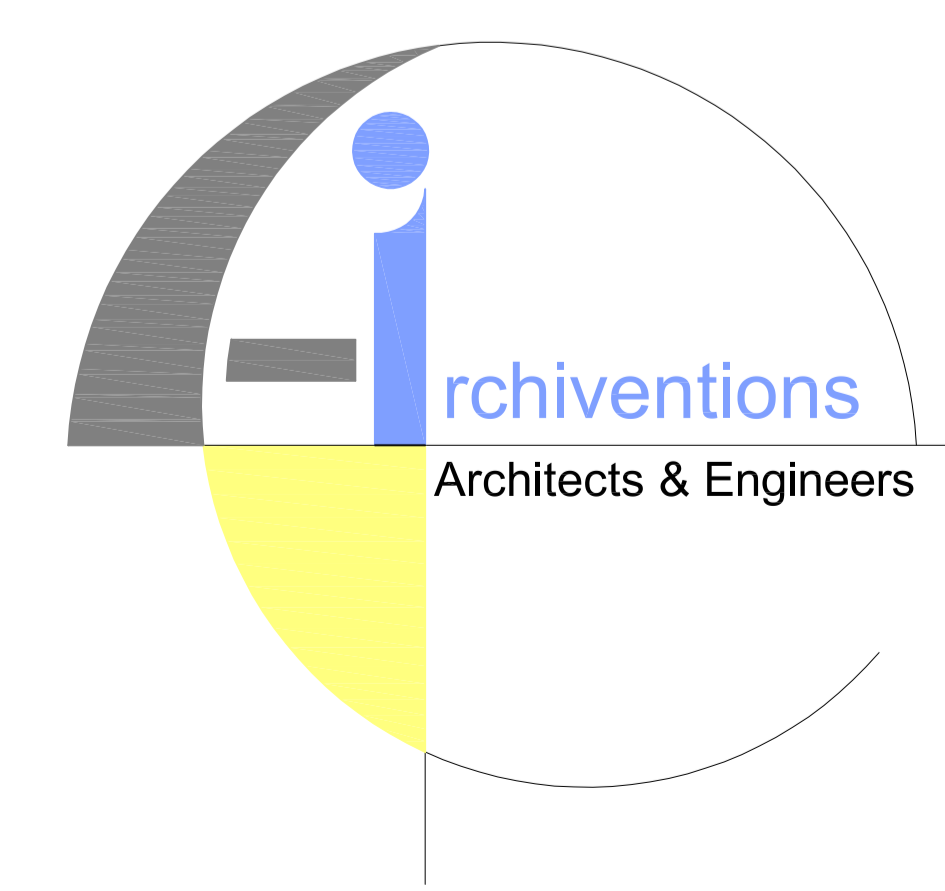
Qty	Description	Symbol
29	LED Round Down Light Fixture 1x18 W	
32	2ft x 2ft LED Panel Light 1x20W	
11	LED Tube Light 1200mm 20W	
16	Ceiling Fan 1200mm 1x60W	
42	16A Socket 1x100 W	
22	6A Socket 1x100W on Common Switch Board	
42	616A UPS Socket 1x560W	
12	20A AC Socket 1x2000W	
26	LAN ports	
26	Telephone	
6	Switch Board	
1	Light Distribution Board	
1	Power distribution Board	
1	UPS Distribution board	
1	Main Switch	
1	Vertical 3P Distribution Board (Main DB)	

- FULL HEIGHT SOLID PARTITION
- FULL HEIGHT PARTLY GLAZED PARTITION
- SEMI HT SEMI GLAZED/ SOLID PARTITION
- FULL HEIGHT TOUGHENED GLASS PARTITION

CLIENT
ASSAM GRAMIN VIKAS BANK
GUWAHATI HEAD OFFICE
BHANGAGARH, G.S ROAD

Description of Proposal.
**PROPOSED LAYOUT PLAN FOR HEAD OFFICE
OF ASSAM GRAMIN VIKAS BANK AT BHANGAGARH, GUWAHATI**
(FIRST FLOOR PLAN) CARPET AREA- 5235 SQ. FT (APPROX)

SIGN & STAMP



FIRM NAME & ADDRESS

ARCHIVENTIONS

Architects , Planners & Interior Designers
C.O.A. Regd. No.- CA / 2004 / 32922
Associate Member, IIA Regdn No- 17418

ADDRESS
Above Kalita Enterprises, 1st Floor
Bank of India Zoo Road Branch Building
Zunali, R.G. Baruah Road, Guwahati-781024
Ph- +91-361-2970463 / +91-9854062928
email- debojyoti@archiventions.com

FLOOR PLANS

NOTE- M/S ARCHIVENTIONS- ARCHITECTS & ENGINEERS RESERVES THE COPYRIGHT OF THE DRAWING AND HENCE IT SHOULD NOT BE REPRODUCED OR USED WITHOUT THE PRIOR PERMISSION FROM ARCHIVENTIONS. HOWEVER THE CLIENT MAY USE THE DRAWING FOR FURTHER APPROVAL AND TENDERING PURPOSE FOR THE SAID PROJECT

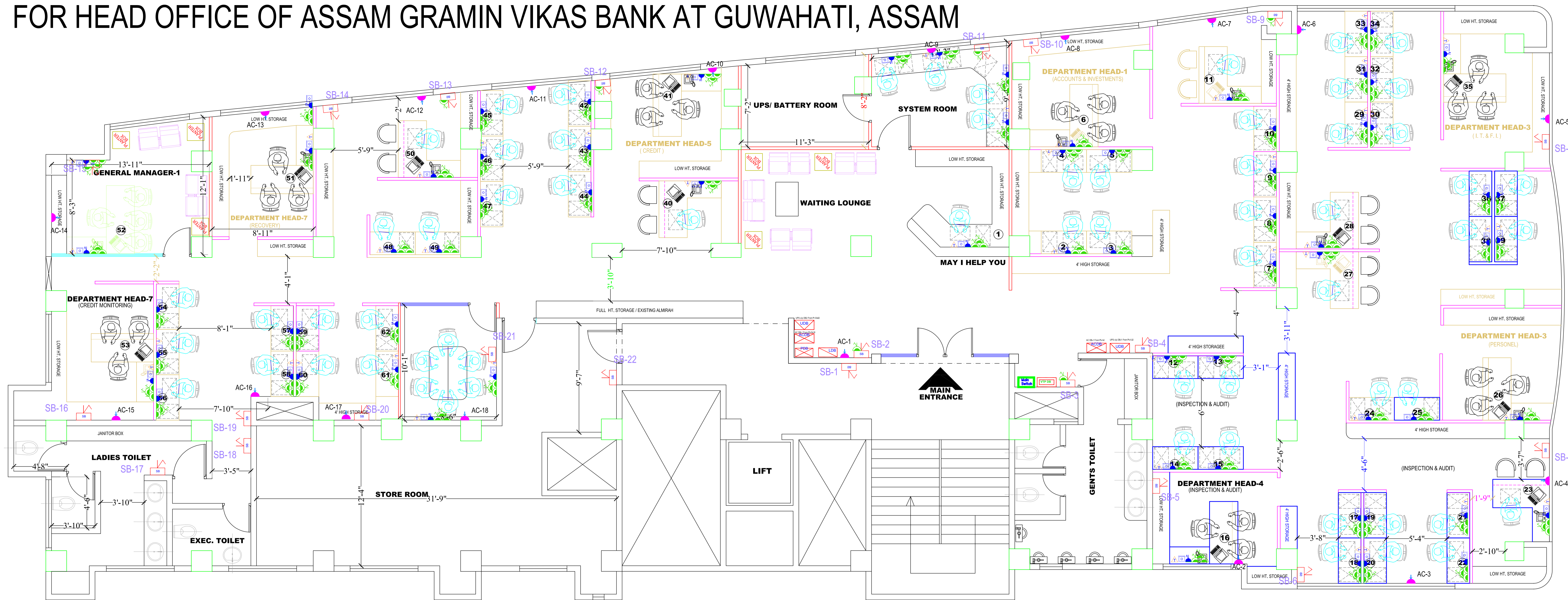
JOB NO.	DATE	SCALE	DEALT BY	CHKD BY	DRG NO.
		N.T.S	HANNAN ALI	AR. DEBOJYOTI DEBROY	ELEC-3

G. S. ROAD

ELECTRICAL PONTS LAYOUT PLAN

FOR HEAD OFFICE OF ASSAM GRAMIN VIKAS BANK AT GUWAHATI, ASSAM

LAYOUT REVISED ON 09.07.2021



TOTAL SEATING CAPACITY PROVIDED- 62

ELECTRICAL LEGENDS

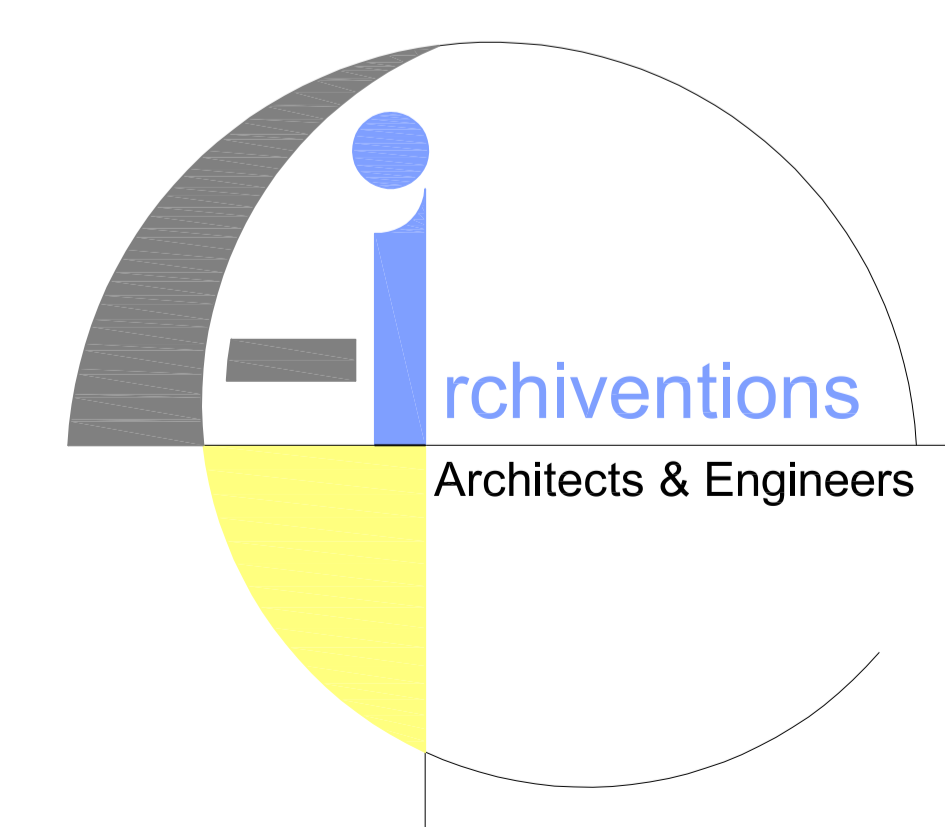
Qty	Description
29	LED Round Down Light Fixture 1x18 W
32	2ft x 2ft LED Panel Light 1x200W
11	LED tube light 1500mm 20W
16	Ceiling Fan 1200mm 1x60W
42	16A Socket 1x100 W
22	6A Socket 1x100W on Common Switch Board
42	615A UPS Socket 1x500W
12	20A AC Socket 1x2000W
26	LAN ports
26	Telephone
6	Switch Board
1	Light Distribution Board
1	Power distribution Board
1	UPS Distribution board
1	Main Switch
1	Vertical 3P Distribution Board (Main DB)

- FULL HEIGHT SOLID PARTITION
- FULL HEIGHT PARTLY GLAZED PARTITION
- SEMI HT SEMI GLAZED/ SOLID PARTITION
- FULL HEIGHT TOUGHENED GLASS PARTITION

CLIENT
ASSAM GRAMIN VIKAS BANK
GUWAHATI HEAD OFFICE
BHANGAGARH, G.S ROAD

Description of Proposal.
PROPOSED LAYOUT PLAN FOR HEAD OFFICE
OF ASSAM GRAMIN VIKAS BANK AT BHANGAGARH, GUWAHATI
(FIRST FLOOR PLAN)
CARPET AREA- 5235 SQ. FT (APPROX)

SIGN & STAMP



FIRM NAME & ADDRESS

ARCHIVENTIONS

Architects , Planners & Interior Designers
C.O.A. Regd. No.- CA / 2004 / 32922
Associate Member, IIA Regdn No- 17418

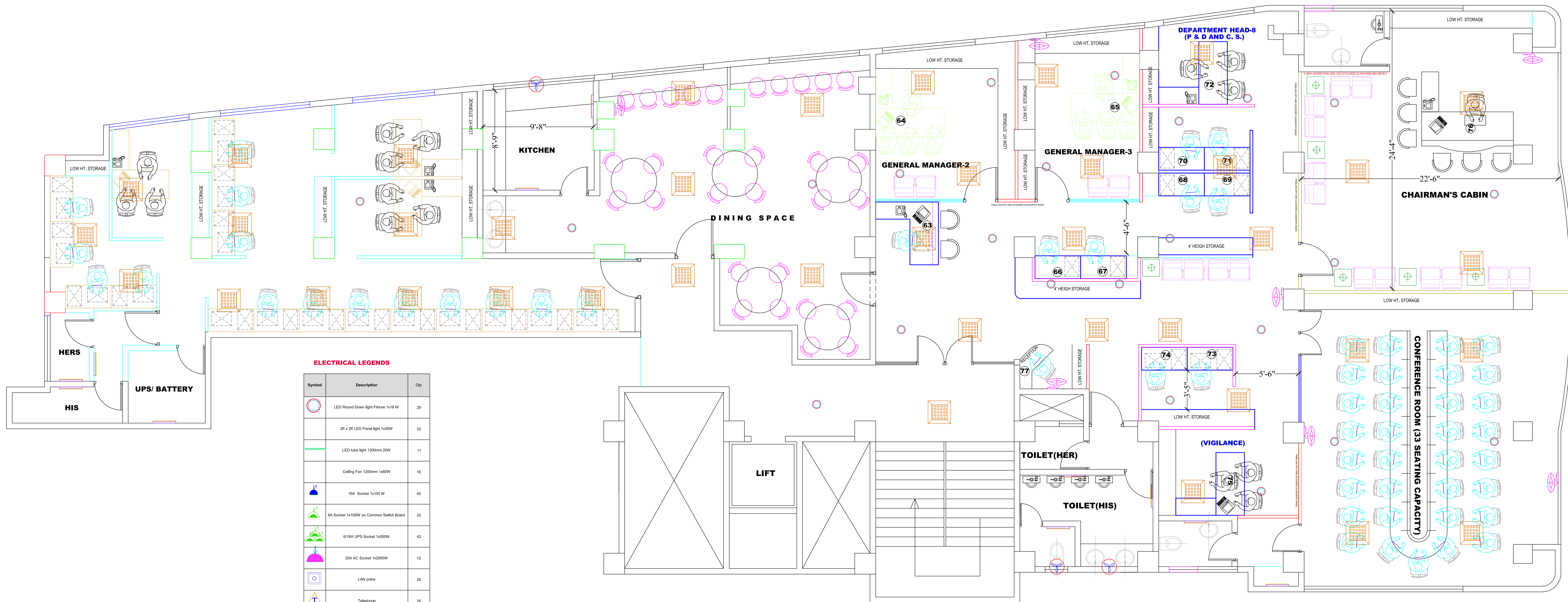
ADDRESS
Above Kalita Enterprises, 1st Floor
Bank of India Zoo Road Branch Building
Zunali, R.G. Baruah Road, Guwahati-781024
Ph- +91-361-2970463 / +91-9854062928
email- debojyoti@archiventions.com

FLOOR PLANS

NOTE- M/S ARCHIVENTIONS- ARCHITECTS & ENGINEERS RESERVES THE COPYRIGHT OF THE DRAWING AND HENCE IT SHOULD NOT BE REPRODUCED OR USED WITHOUT THE PRIOR PERMISSION FROM ARCHIVENTIONS. HOWEVER THE CLIENT MAY USE THE DRAWING FOR FURTHER APPROVAL AND TENDERING PURPOSE FOR THE SAID PROJECT

JOB NO.	DATE	SCALE	DEALT BY	CHKD BY	DRG NO.
		N.T.S	HANNAN ALI	AR. DEBOJYOTI DEBROY	ELEC-3

G. S. ROAD



ELECTRICAL LEGENDS

Symbol	Description	Qty
	LED Round Down light Fixture 1x18 W	29
	2ft x 2ft LED Panel light 1x30W	32
	LED tube light 1200mm 20W	11
	Ceiling Fan 1200mm 1x60W	16
	15A Socket 1x100 W	42
	6A Socket 1x100W on Common Switch Board	22
	6/15A UPS Socket 1x500W	42
	20A AC Socket 1x200W	12
	LAN ports	26
	Telephone	26
	Switch Board	6
	Light Distribution Board	1
	Power distribution Board	1
	UPS Distribution board	1
	Main Switch	1
	Vertical 3P Distribution Board (Main DB)	1

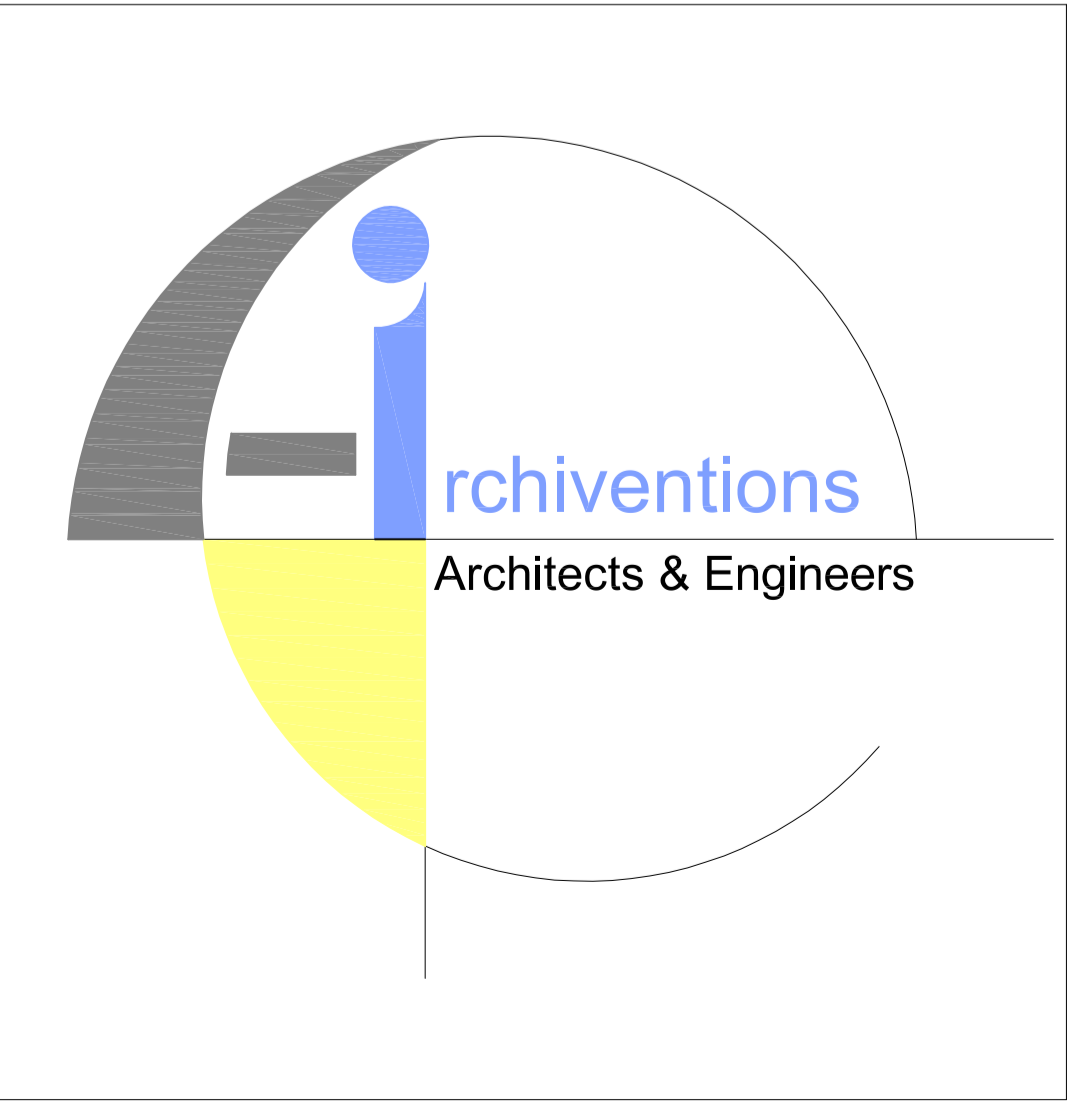
PROPOSED FURNITURE LAYOUT PLAN

FOR HEAD OFFICE OF ASSAM GRAMIN VIKAS BANK AT GUWAHATI, ASSAM

FLOOR PLANS

CLIENT	Description of Proposal.					
ASSAM GRAMIN VIKAS BANK GUWAHATI HEAD OFFICE BHANGAGARH, G. S ROAD	PROPOSED LAYOUT PLAN FOR HEAD OFFICE OF ASSAM GRAMIN VIKAS BANK AT BHANGAGARH, GUWAHATI					
	(SECOND FLOOR PLAN)			CARPET AREA- 4195 SQ. FT (APPROX)		
NOTE- M/S ARCHIVENTIONS- ARCHITECTS & ENGINEERS RESERVES THE COPYRIGHT OF THE DRAWING AND HENCE IT SHOULD NOT BE REPRODUCED OR USED WITHOUT THE PRIOR PERMISSION FROM ARCHIVENTIONS. HOWEVER THE CLIENT MAY USE THE DRAWING FOR FURTHER APPROVAL AND TENDERING PURPOSE FOR THE SAID PROJECT						
JOB NO.	DATE	SCALE	DEALT BY	CHKD BY	DRG NO.	
		N.T.S	HANNAN ALI	AR. DEBOJYOTI DEBROY	ELEC-5	

SIGN & STAMP



FIRM NAME & ADDRESS

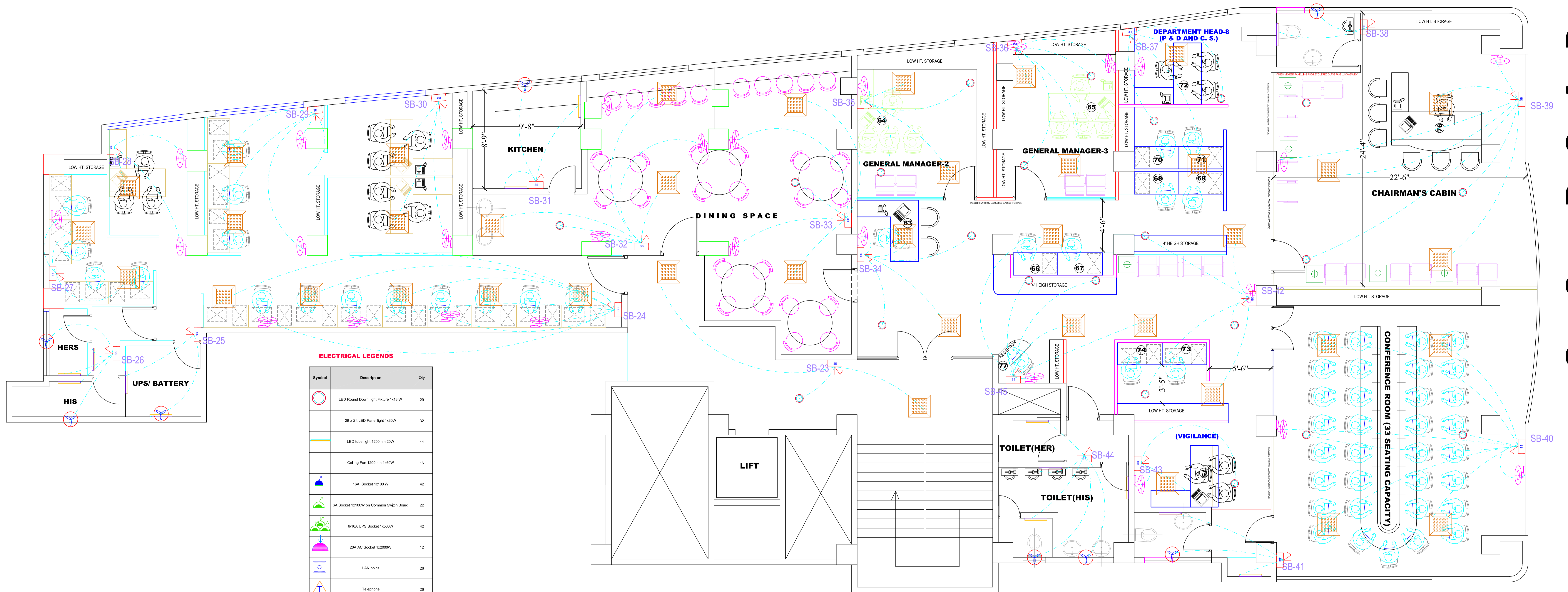
ARCHIVENTIONS

Architects , Planners & Interior Designers
C.O.A. Regd. No.- CA / 2004 / 32922
Associate Member, IIA Regdn No- 17418

ADDRESS

Above Kalita Enterprises, 1st Floor
Bank of India Zoo Road Branch Building
Zunali, R.G. Baruah Road, Guwahati-781024
Ph- +91-361-2970463 / +91-9854062928
email- debojyoti@archiventions.com

G. S. ROAD



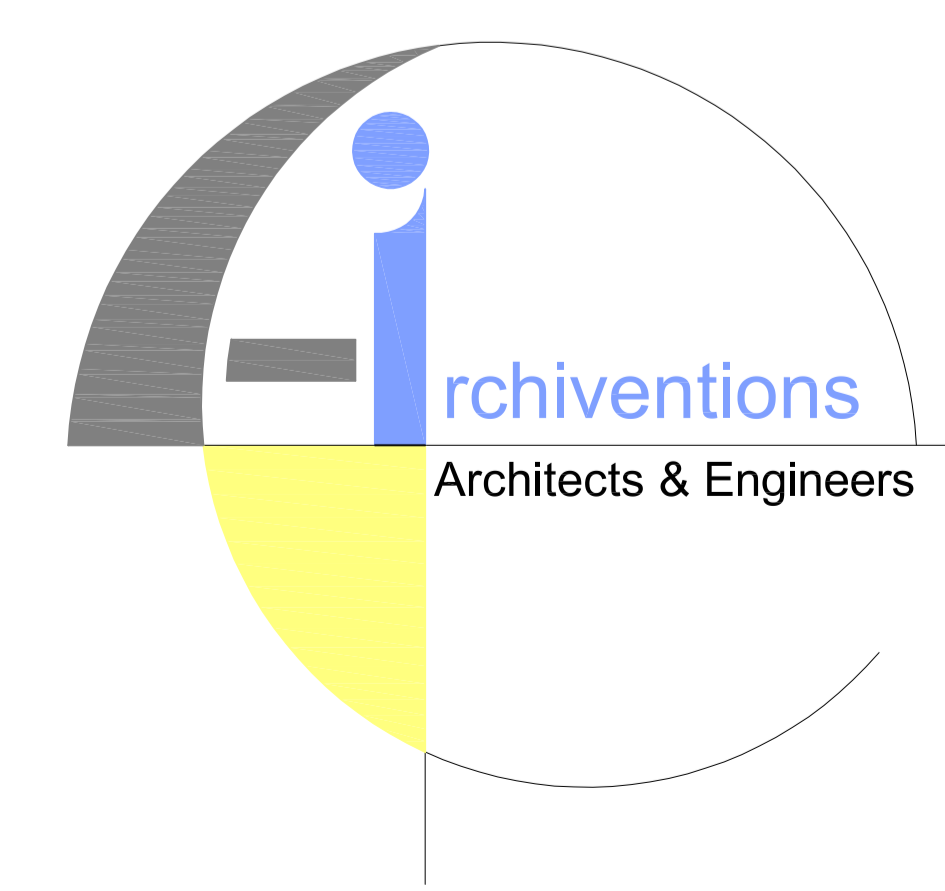
ELECTRICAL LEGENDS

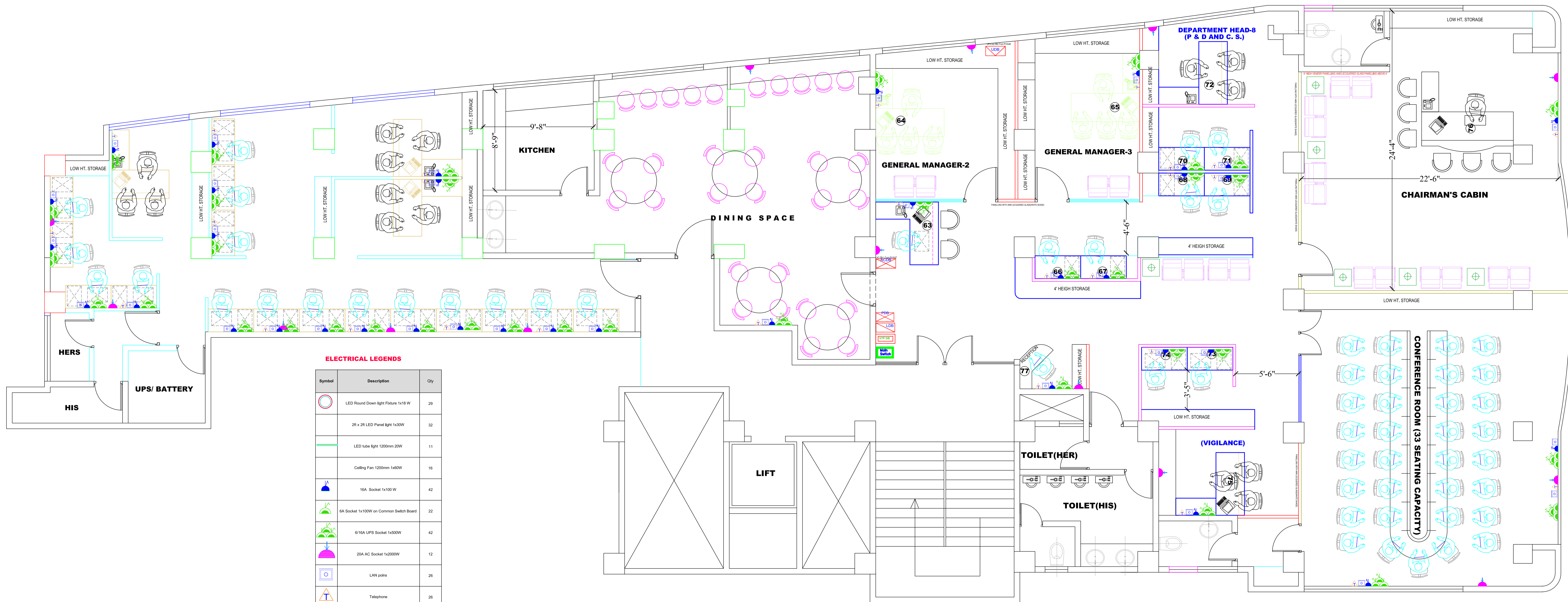
Symbol	Description	Qty
	LED Round Down Light Fixture 1x18 W	29
	2ft x 2ft LED Panel Light 1x30W	32
	LED Tube light 1200mm 20W	11
	Ceiling Fan 1200mm 1x10W	16
	15A Socket 1x100 W	42
	5A Socket 1x100W on Common Switch Board	22
	5/15A UPS Socket 1x500W	42
	20A AC Socket 1x2000W	12
	LAN ports	26
	Telephone	26
	Switch Board	6
	Light Distribution Board	1
	Power distribution Board	1
	UPS Distribution board	1
	Main Switch	1
	Vertical 3P Distribution Board (Main DB)	1

PROPOSED FURNITURE LAYOUT PLAN

FOR HEAD OFFICE OF ASSAM GRAMIN VIKAS BANK AT GUWAHATI, ASSAM

<p>CLIENT</p> <p>ASSAM GRAMIN VIKAS BANK GUWAHATI HEAD OFFICE BHANGAGARH, G.S ROAD</p>	<p>Description of Proposal.</p> <p style="text-align: center;">PROPOSED LAYOUT PLAN FOR HEAD OFFICE OF ASSAM GRAMIN VIKAS BANK AT BHANGAGARH, GUWAHATI</p> <p style="text-align: center;">(SECOND FLOOR PLAN)</p> <p style="text-align: right;">CARPET AREA- 4195 SQ. FT (APPROX)</p> <p style="font-size: small; color: red;">NOTE- M/S ARCHIVENTIONS- ARCHITECTS & ENGINEERS RESERVES THE COPYRIGHT OF THE DRAWING AND HENCE IT SHOULD NOT BE REPRODUCED OR USED WITHOUT THE PRIOR PERMISSION FROM ARCHIVENTIONS. HOWEVER THE CLIENT MAY USE THE DRAWING FOR FURTHER APPROVAL AND TENDERING PURPOSE FOR THE SAID PROJECT</p>	<p>SIGN & STAMP</p>	<p>FIRM NAME & ADDRESS</p> <p>ARCHIVENTIONS Architects , Planners & Interior Designers C.O.A. Regd. No.- CA / 2004 / 32922 Associate Member, IIA Regdn No- 17418</p> <p>ADDRESS Above Kalita Enterprises, 1st Floor Bank of India Zoo Road Branch Building Zunali, R.G. Baruah Road, Guwahati-781024 Ph- +91-361-2970463 / +91-9854062928 email- debojyoti@archiventions.com</p>												
<p>FLOOR PLANS</p>	<table border="1" style="width: 100%; border-collapse: collapse;"> <thead> <tr> <th>JOB NO.</th> <th>DATE</th> <th>SCALE</th> <th>DEALT BY</th> <th>CHKD BY</th> <th>DRG NO.</th> </tr> </thead> <tbody> <tr> <td></td> <td></td> <td>N.T.S</td> <td>HANNAN ALI</td> <td>AR. DEBOJYOTI DEBROY</td> <td>ELEC-6</td> </tr> </tbody> </table>	JOB NO.	DATE	SCALE	DEALT BY	CHKD BY	DRG NO.			N.T.S	HANNAN ALI	AR. DEBOJYOTI DEBROY	ELEC-6		
JOB NO.	DATE	SCALE	DEALT BY	CHKD BY	DRG NO.										
		N.T.S	HANNAN ALI	AR. DEBOJYOTI DEBROY	ELEC-6										





ELECTRICAL LEGENDS

Symbol	Description	Qty
	LED Round Down light Fixture 1x18 W	29
	2ft x 2ft LED Panel light 1x30W	32
	LED tube light 1200mm 20W	11
	Ceiling Fan 1200mm 1x60W	16
	15A Socket 1x100 W	42
	6A Socket 1x100W on Common Switch Board	22
	6/15A UPS Socket 1x500W	42
	20A AC Socket 1x2000W	12
	LAN ports	26
	Telephone	26
	Switch Board	6
	Light Distribution Board	1
	Power distribution Board	1
	UPS Distribution board	1
	Main Switch	1
	Vertical 3P Distribution Board (Main DB)	1

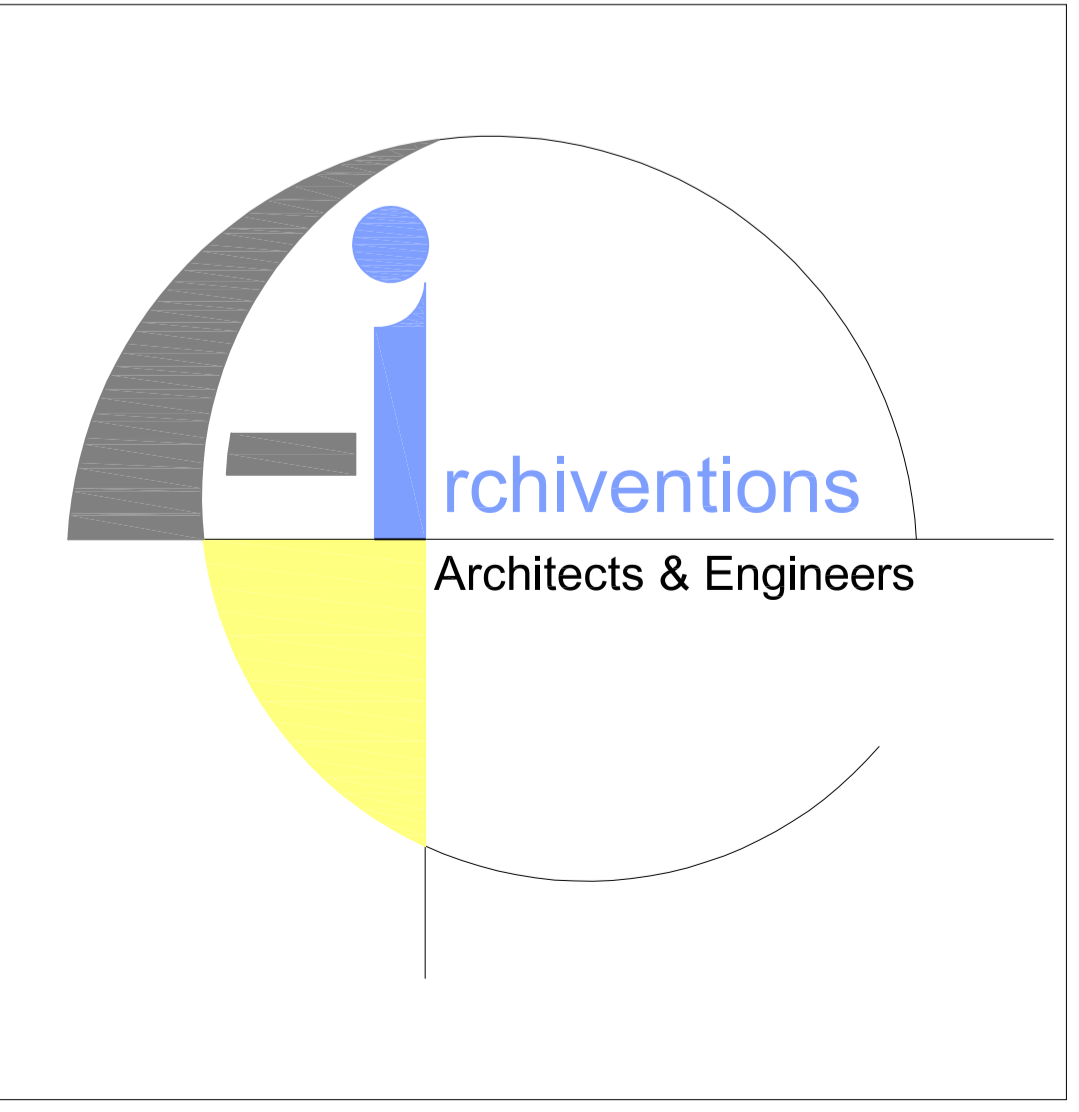
PROPOSED FURNITURE LAYOUT PLAN

FOR HEAD OFFICE OF ASSAM GRAMIN VIKAS BANK AT GUWAHATI, ASSAM

FLOOR PLANS

CLIENT	Description of Proposal.					
ASSAM GRAMIN VIKAS BANK GUWAHATI HEAD OFFICE BHANGAGARH, G. S ROAD	PROPOSED LAYOUT PLAN FOR HEAD OFFICE OF ASSAM GRAMIN VIKAS BANK AT BHANGAGARH, GUWAHATI					
	(SECOND FLOOR PLAN)			CARPET AREA- 4195 SQ. FT (APPROX)		
NOTE- M/S ARCHIVENTIONS- ARCHITECTS & ENGINEERS RESERVES THE COPYRIGHT OF THE DRAWING AND HENCE IT SHOULD NOT BE REPRODUCED OR USED WITHOUT THE PRIOR PERMISSION FROM ARCHIVENTIONS. HOWEVER THE CLIENT MAY USE THE DRAWING FOR FURTHER APPROVAL AND TENDERING PURPOSE FOR THE SAID PROJECT						
JOB NO.	DATE	SCALE	DEALT BY	CHKD BY	DRG NO.	
		N.T.S	HANNAN ALI	AR. DEBOJYOTI DEBROY	ELEC-7	

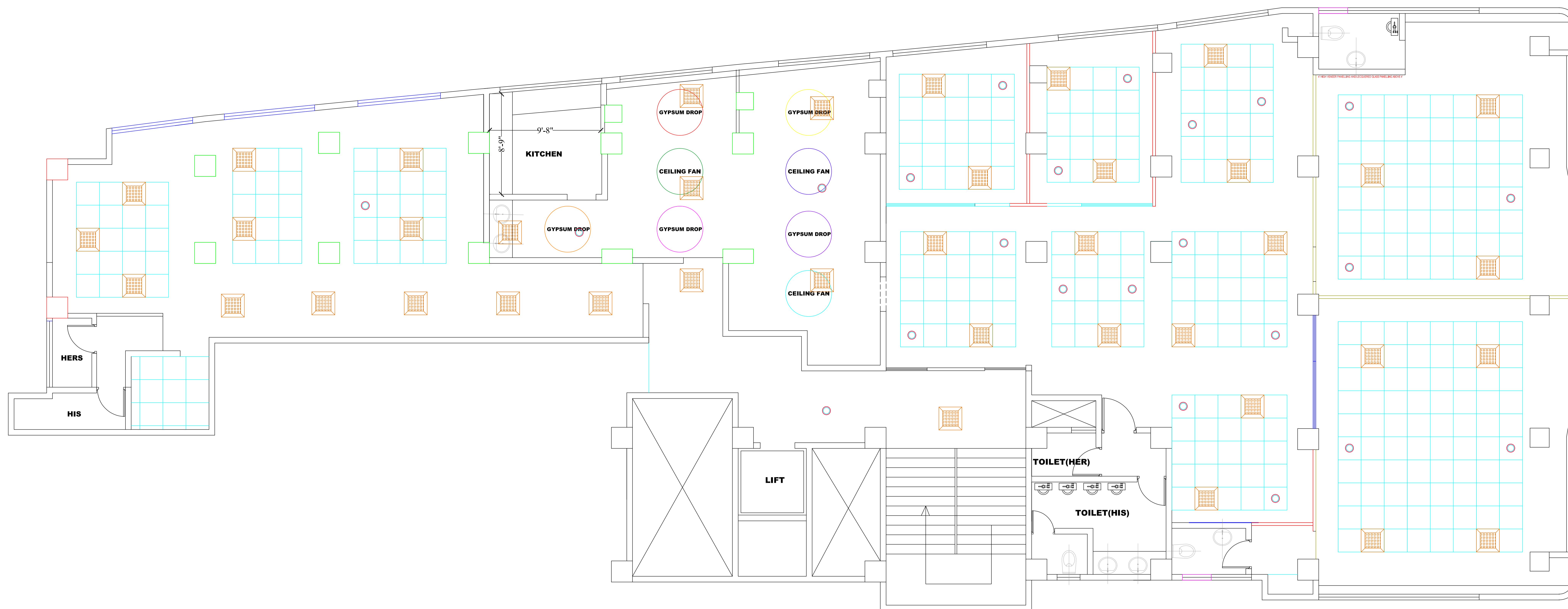
SIGN & STAMP



FIRM NAME & ADDRESS

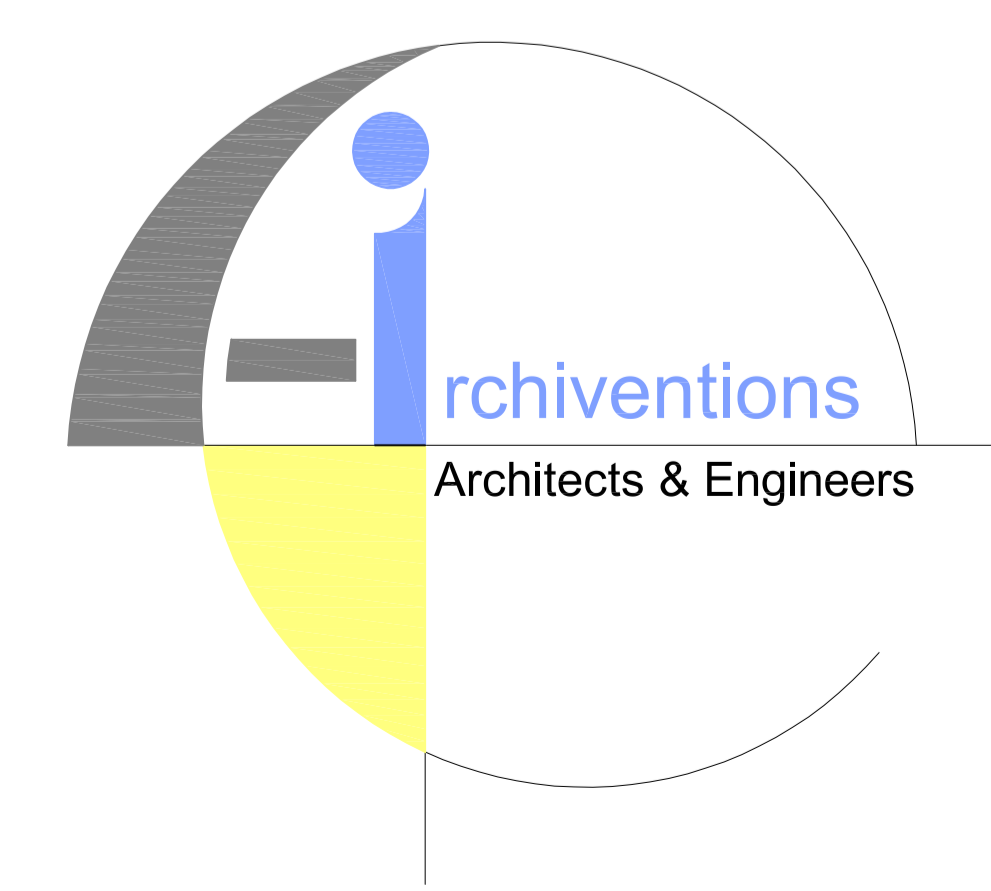
ARCHIVENTIONS
Architects , Planners & Interior Designers
C.O.A. Regd. No.- CA / 2004 / 32922
Associate Member, IIA Regdn No- 17418

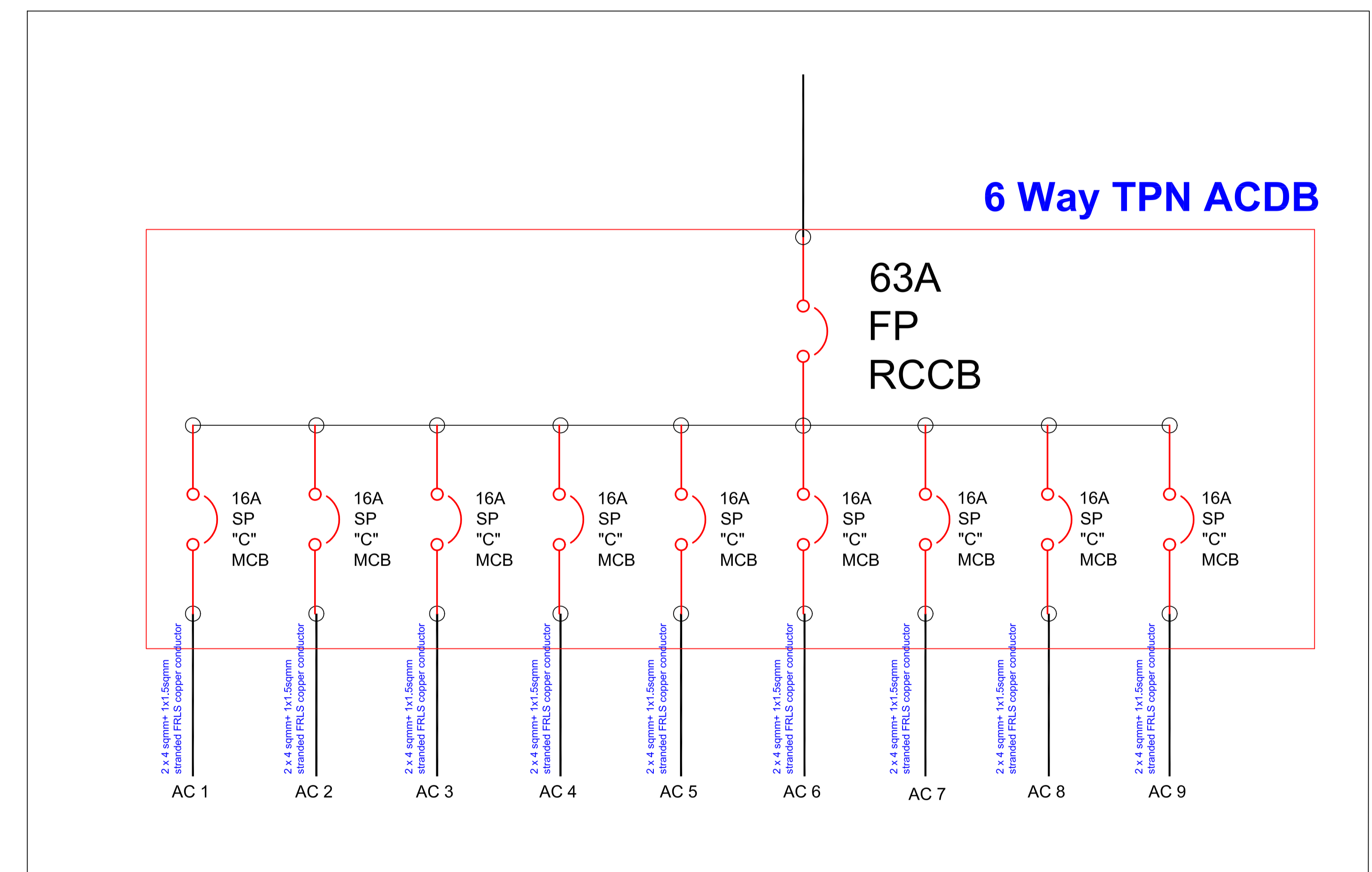
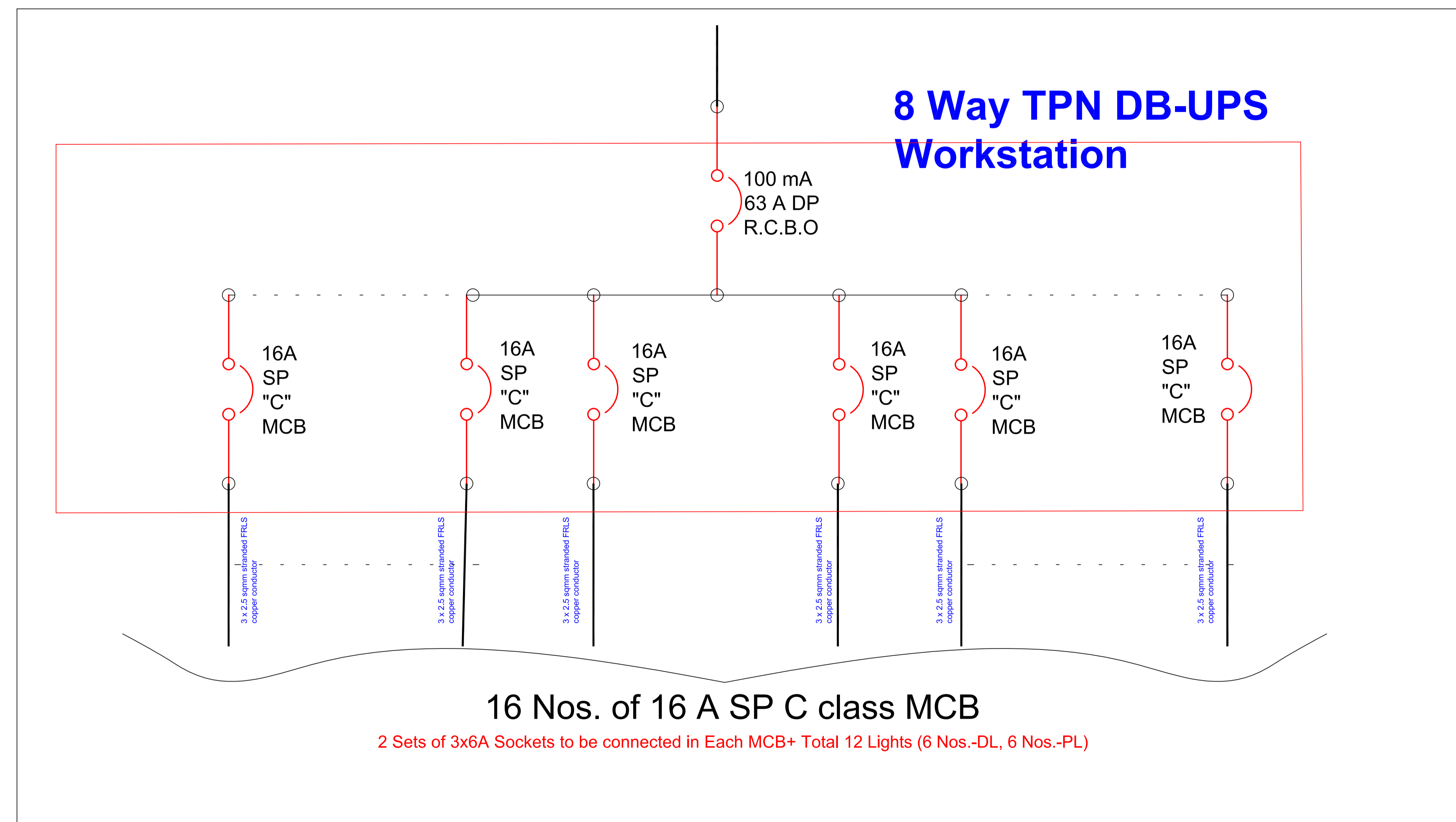
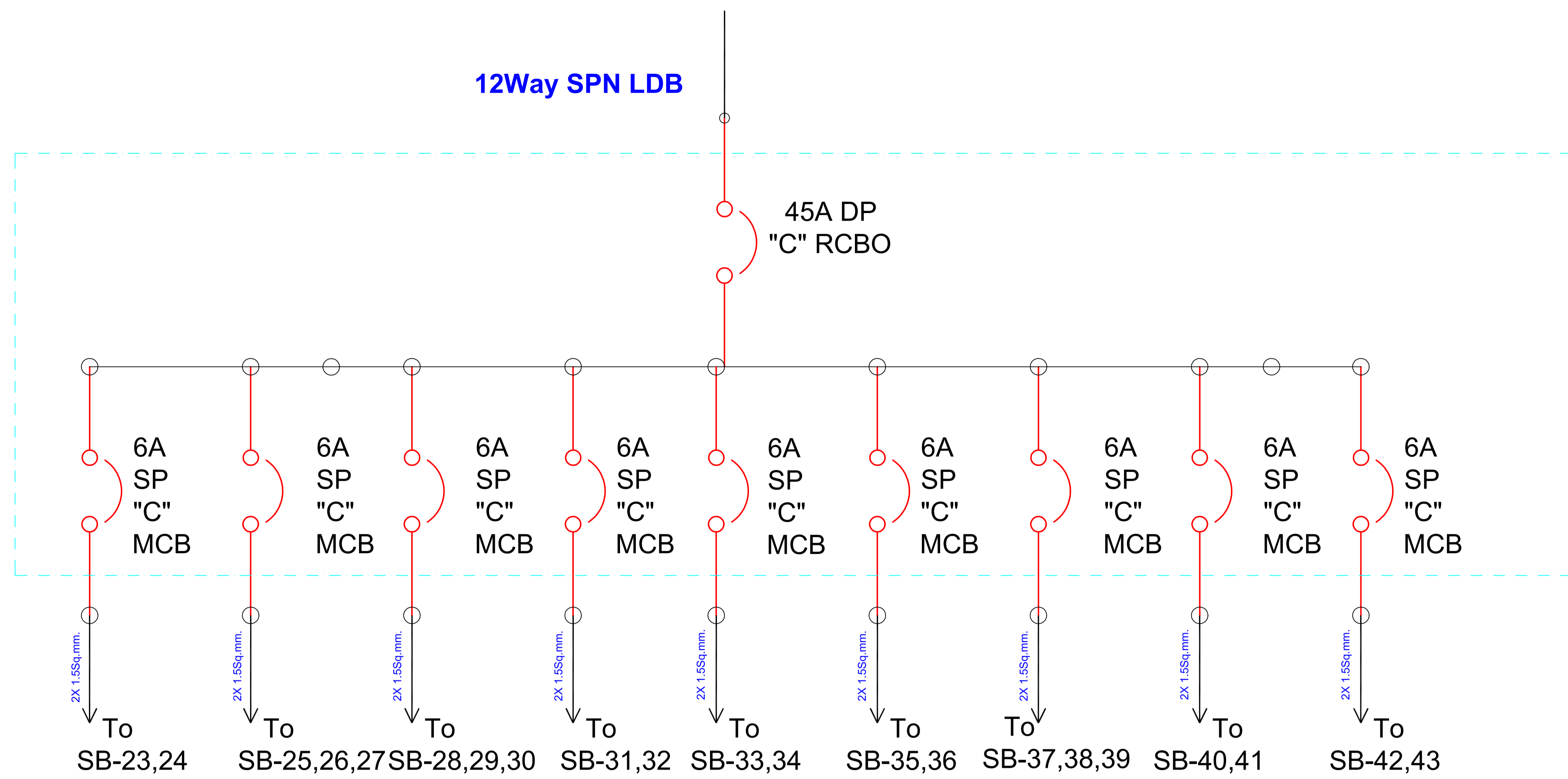
ADDRESS
Above Kalita Enterprises, 1st Floor
Bank of India Zoo Road Branch Building
Zunali, R.G. Baruah Road, Guwahati-781024
Ph- +91-361-2970463 / +91-9854062928
email- debojyoti@archiventions.com



PROPOSED FALSE CEILING LAYOUT PLAN

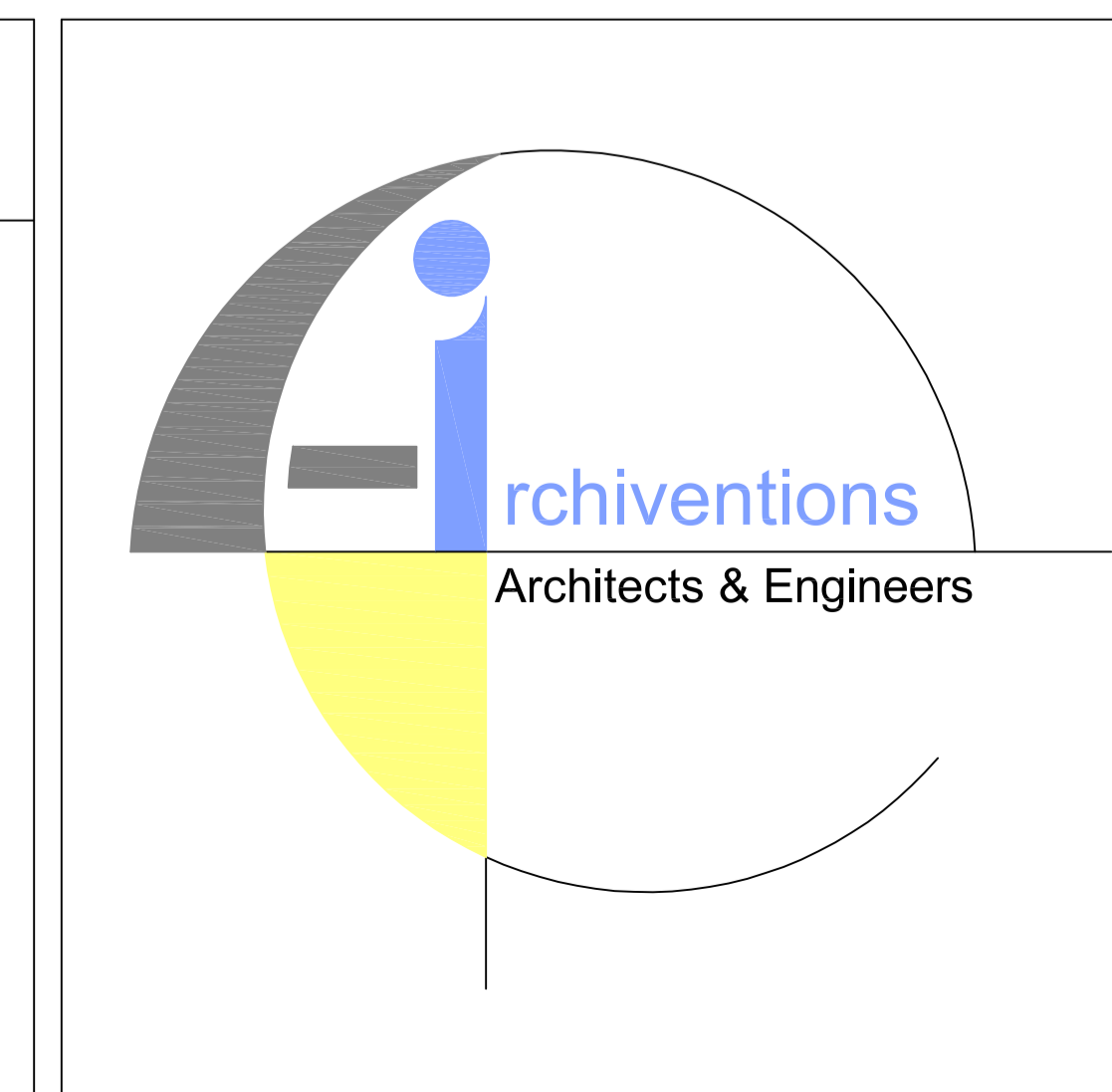
FOR HEAD OFFICE OF ASSAM GRAMIN VIKAS BANK AT GUWAHATI, ASSAM

<p>CLIENT</p> <p>ASSAM GRAMIN VIKAS BANK GUWAHATI HEAD OFFICE BHANGGARH, G.S ROAD</p>	<p>Description of Proposal.</p> <p style="text-align: center;">PROPOSED FALSE CEILING LAYOUT PLAN OF ASSAM GRAMIN VIKAS BANK'S H.O AT GUWAHATI</p> <p style="text-align: center;">(SECOND FLOOR PLAN) CARPET AREA- 4195 SQ. FT (APPROX)</p> <p style="font-size: small; color: red;">NOTE- M/S ARCHIVENTIONS- ARCHITECTS & ENGINEERS RESERVES THE COPYRIGHT OF THE DRAWING AND HENCE IT SHOULD NOT BE REPRODUCED OR USED WITHOUT THE PRIOR PERMISSION FROM ARCHIVENTIONS. HOWEVER THE CLIENT MAY USE THE DRAWING FOR FURTHER APPROVAL AND TENDERING PURPOSE FOR THE SAID PROJECT</p>	<p>SIGN & STAMP</p>		<p>FIRM NAME & ADDRESS</p> <p>ARCHIVENTIONS Architects , Planners & Interior Designers C.O.A. Regd. No.- CA / 2004 / 32922 Associate Member, IIA Regdn No- 17418</p> <p>ADDRESS Above Kalita Enterprises, 1st Floor Bank of India Zoo Road Branch Building Zunali, R.G. Baruah Road, Guwahati-781024 Ph- +91-361-2970463 / +91-9854062928 email- debojyoti@archiventions.com</p>												
<p>FLOOR PLANS</p>	<table border="1" style="width: 100%; border-collapse: collapse; font-size: x-small;"> <thead> <tr> <th style="width: 15%;">JOB NO.</th> <th style="width: 15%;">DATE</th> <th style="width: 15%;">SCALE</th> <th style="width: 15%;">DEALT BY</th> <th style="width: 15%;">CHKD BY</th> <th style="width: 15%;">DRG NO.</th> </tr> </thead> <tbody> <tr> <td></td> <td></td> <td style="text-align: center;">N.T.S</td> <td style="text-align: center;">HANNAN ALI</td> <td style="text-align: center;">AR. DEBOJYOTI DEBROY</td> <td style="text-align: center;">ELEC-9</td> </tr> </tbody> </table>	JOB NO.	DATE	SCALE	DEALT BY	CHKD BY	DRG NO.			N.T.S	HANNAN ALI	AR. DEBOJYOTI DEBROY	ELEC-9			
JOB NO.	DATE	SCALE	DEALT BY	CHKD BY	DRG NO.											
		N.T.S	HANNAN ALI	AR. DEBOJYOTI DEBROY	ELEC-9											



CLIENT	Description of Proposal.					
ASSAM GRAMIN VIKAS BANK GUWAHATI HEAD OFFICE BHANGAGARH, G.S ROAD	SLD for Lighting Distribution Boards OF ASSAM GRAMIN VIKAS BANK AT BHANGAGARH, GUWAHATI					
LAYOUT PLANS	NOTE- M/S ARCHIVENTIONS- ARCHITECTS & ENGINEERS RESERVES THE COPYRIGHT OF THE DRAWING AND HENCE IT SHOULD NOT BE REPRODUCED OR USED WITHOUT THE PRIOR PERMISSION FROM ARCHIVENTIONS. HOWEVER THE CLIENT MAY USE THE DRAWING FOR FURTHER APPROVAL AND TENDERING PURPOSE FOR THE SAID PROJECT					
	JOB NO.	DATE	SCALE	DEALT BY	CHKD BY	DRG NO.
			N.T.S	AR. DEBOJYOTI DEBROY	AR. DEBOJYOTI DEBROY	

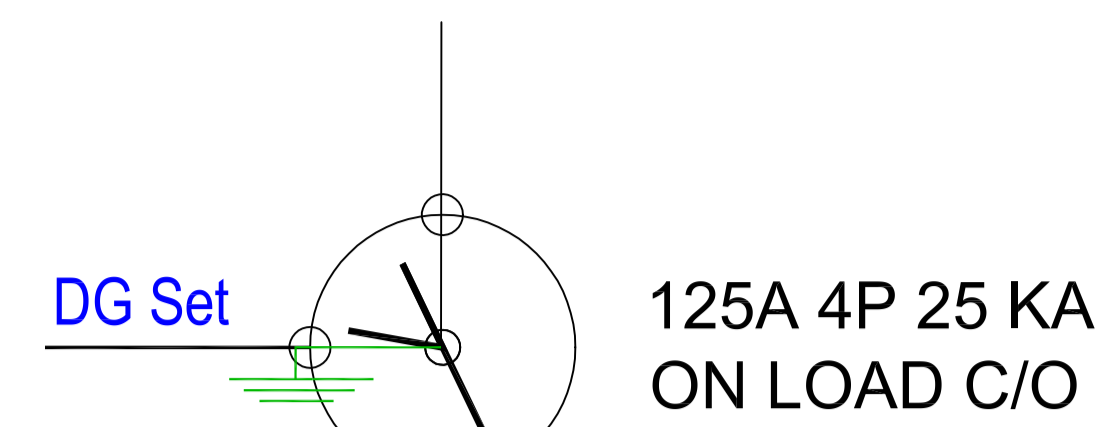
SIGN & STAMP



FIRM NAME & ADDRESS

ARCHIVENTIONS
Architects , Planners & Interior Designers
C.O.A. Regd. No.- CA / 2004 / 32922
Associate Member, IIA Regdn No- 17418

ADDRESS
Above Kalita Enterprises, 1st Floor
Bank of India Zoo Road Branch Building
Zunali, R.G. Baruah Road, Guwahati-781024
Ph- +91-361-2970463 / +91-9854062928
email- debojyoti@archiventions.com



From LT Panel

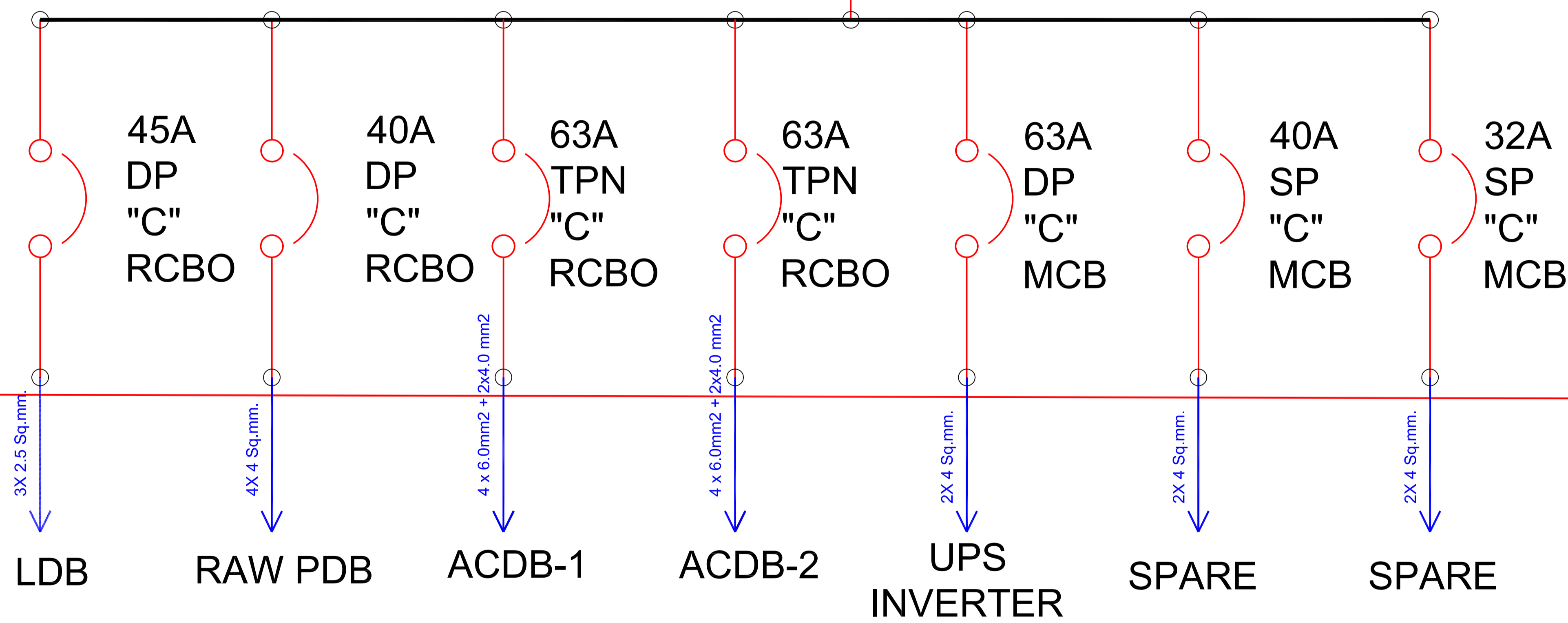
100A 4P 25KA Main Switch

3x50 sqmm Al armoured Cable
4 x 16mm² + 2x4 mm² F.R.L.S. CU

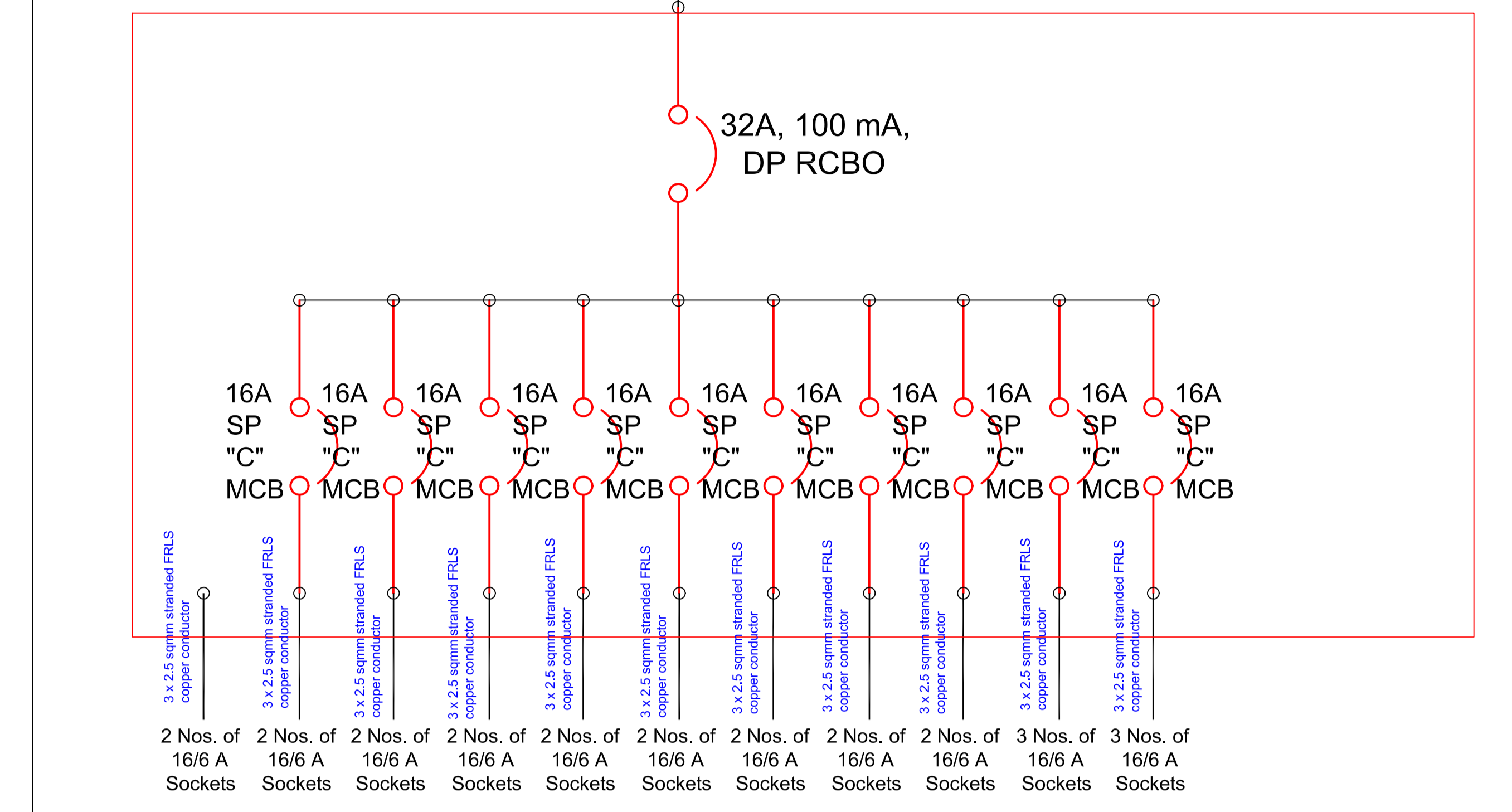
6 Way VTPN DB

4 Pole ,Type C,
100 Amp 25 KA RCBO

70x10 mm Bus Bar



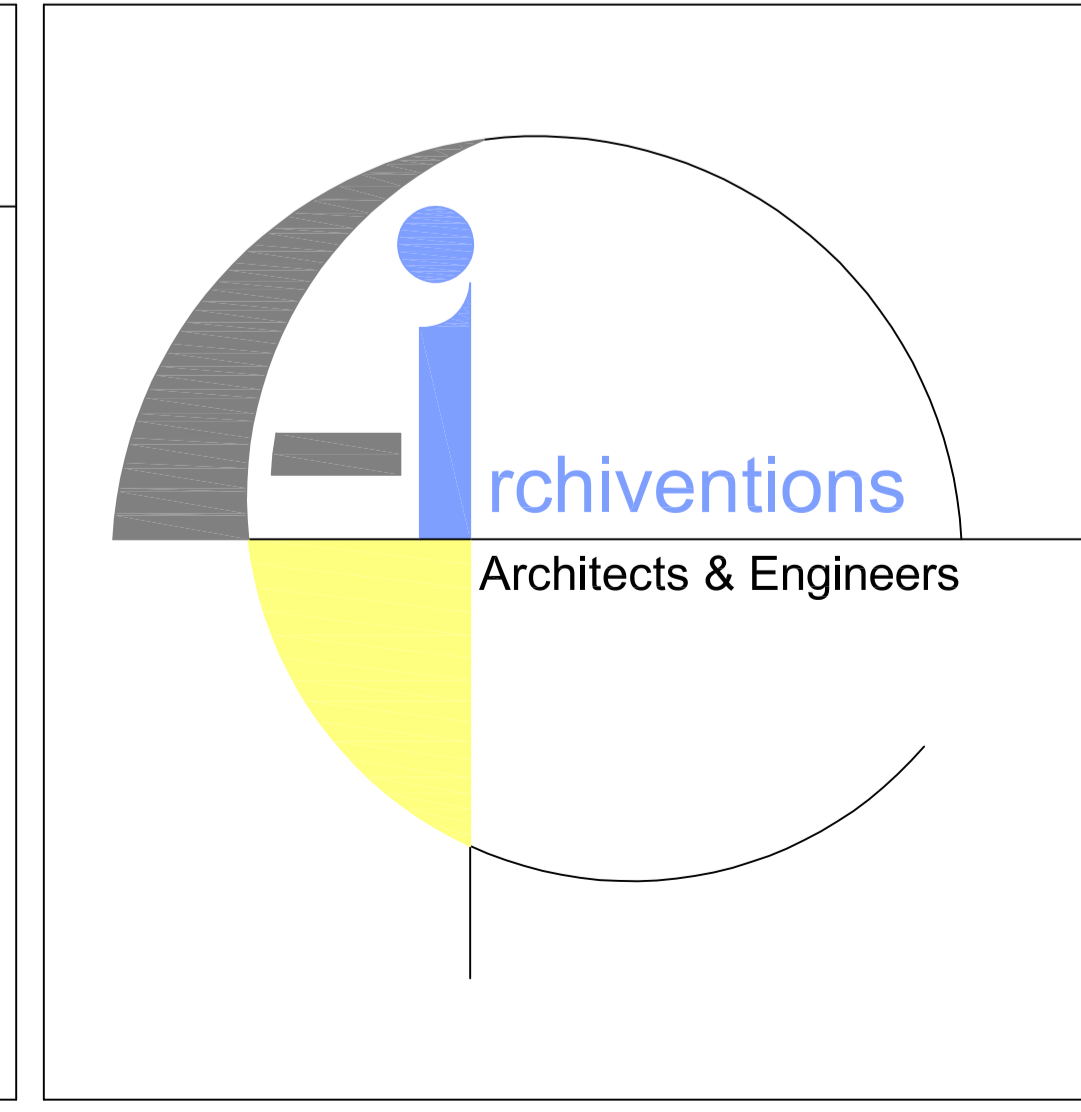
12 Way SPN Raw PowerDB



CLIENT
ASSAM GRAMIN VIKAS BANK
GUWAHATI HEAD OFFICE
BHANGAGARH, G.S ROAD

Description of Proposal.
**SLD OF VTPN DB
OF ASSAM GRAMIN VIKAS BANK AT BHANGAGARH, GUWAHATI**

SIGN & STAMP

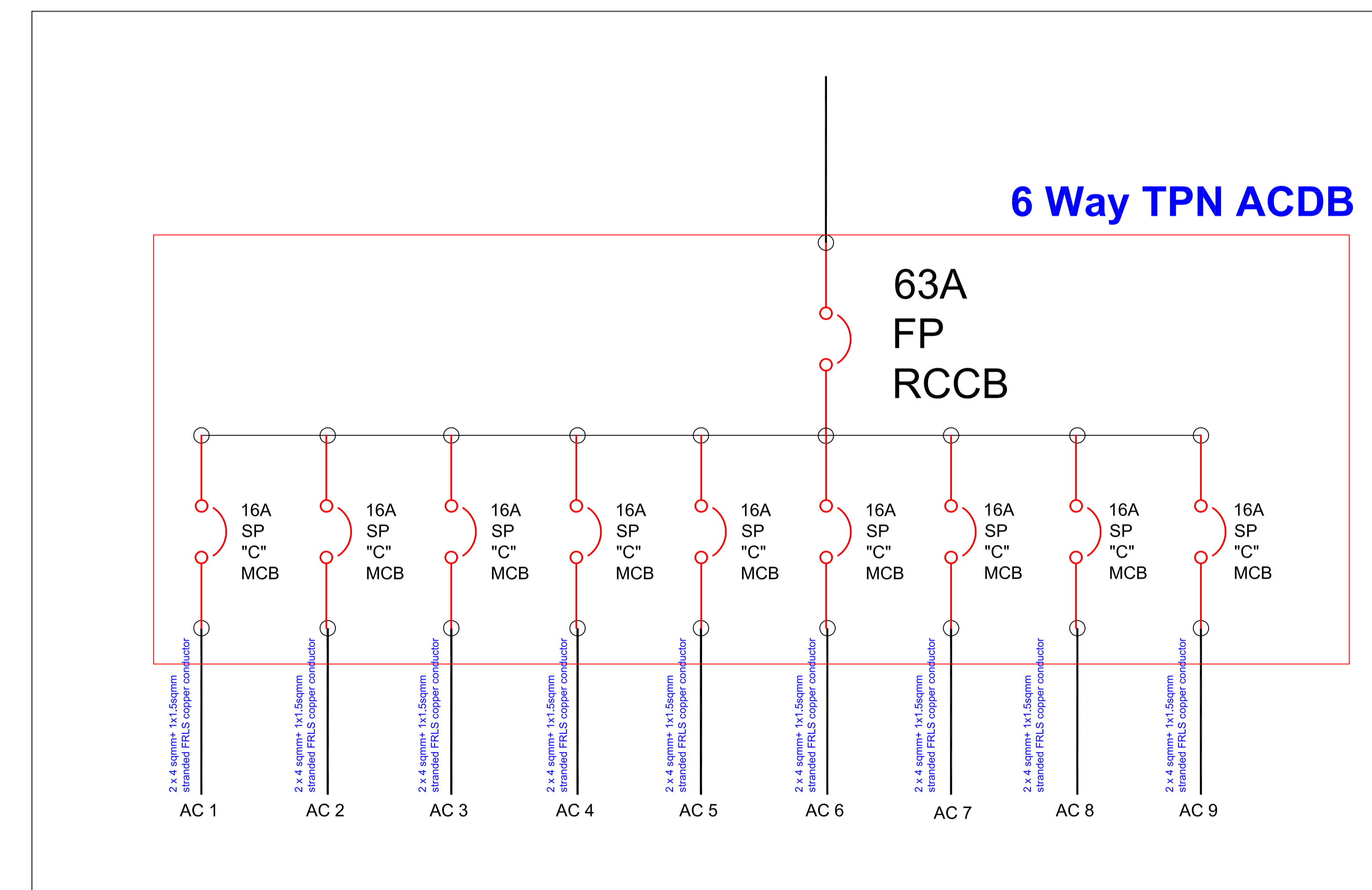
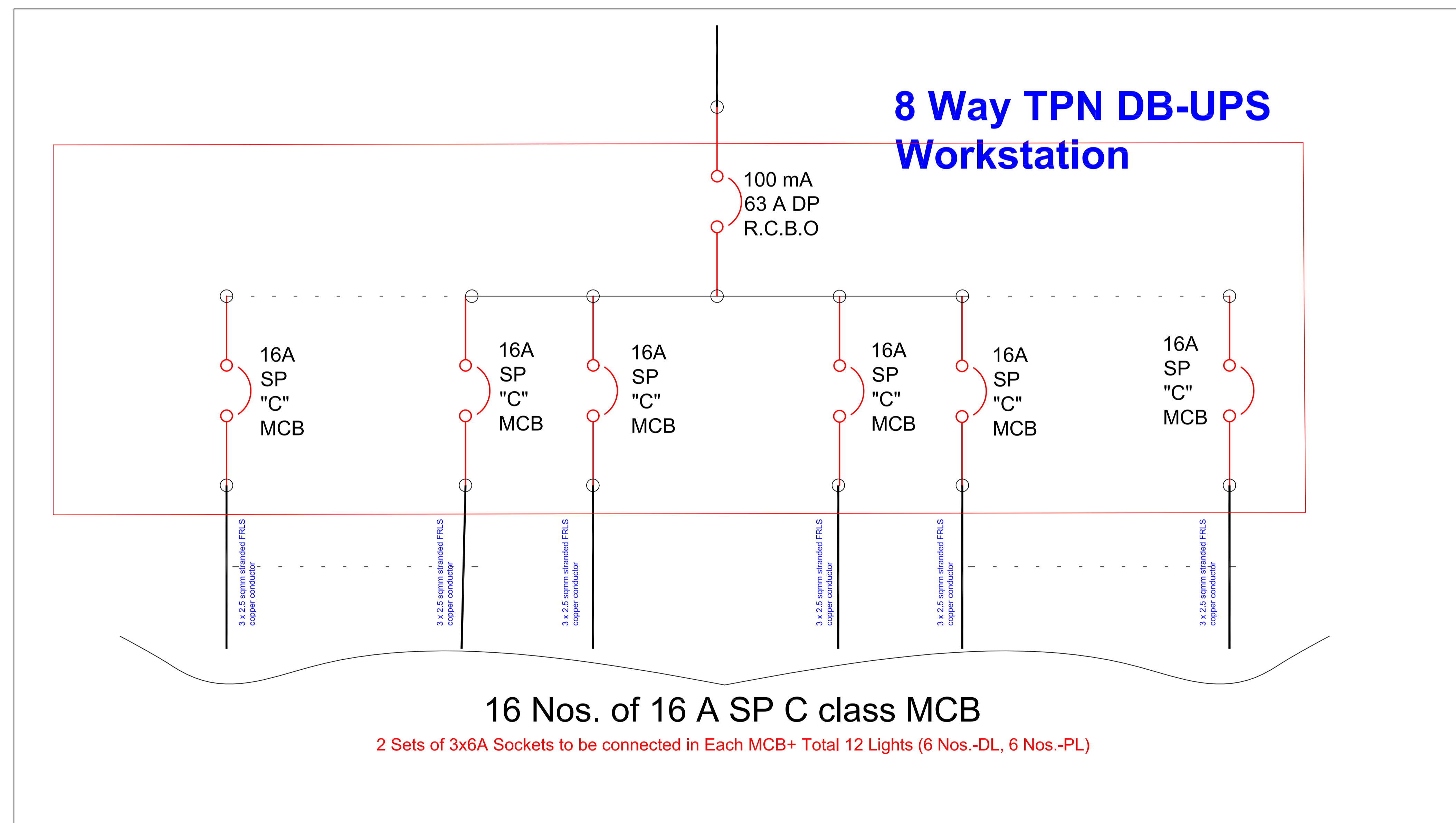
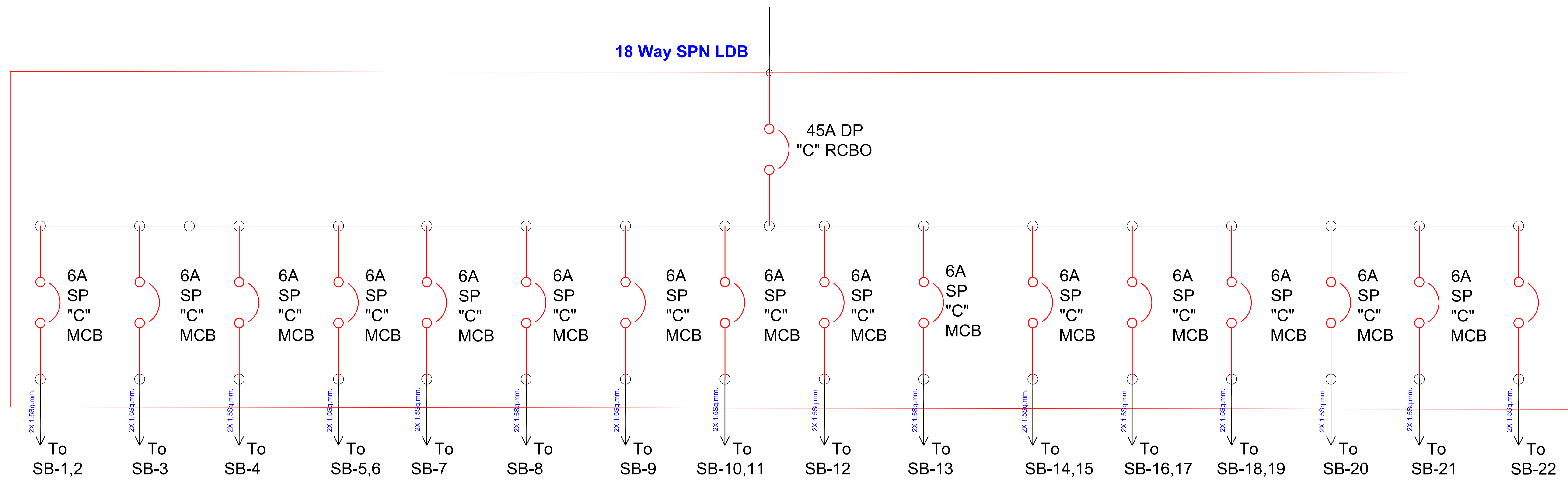


FIRM NAME & ADDRESS
ARCHIVENTIONS
Architects , Planners & Interior Designers
C.O.A. Regd. No.- CA / 2004 / 32922
Associate Member, IIA Regdn No- 17418
ADDRESS
Above Kalita Enterprises, 1st Floor
Bank of India Zoo Road Branch Building
Zunali, R.G. Baruah Road, Guwahati-781024
Ph- +91-361-2970463 / +91-9854062928
email- debojyoti@archiventions.com

LAYOUT PLANS

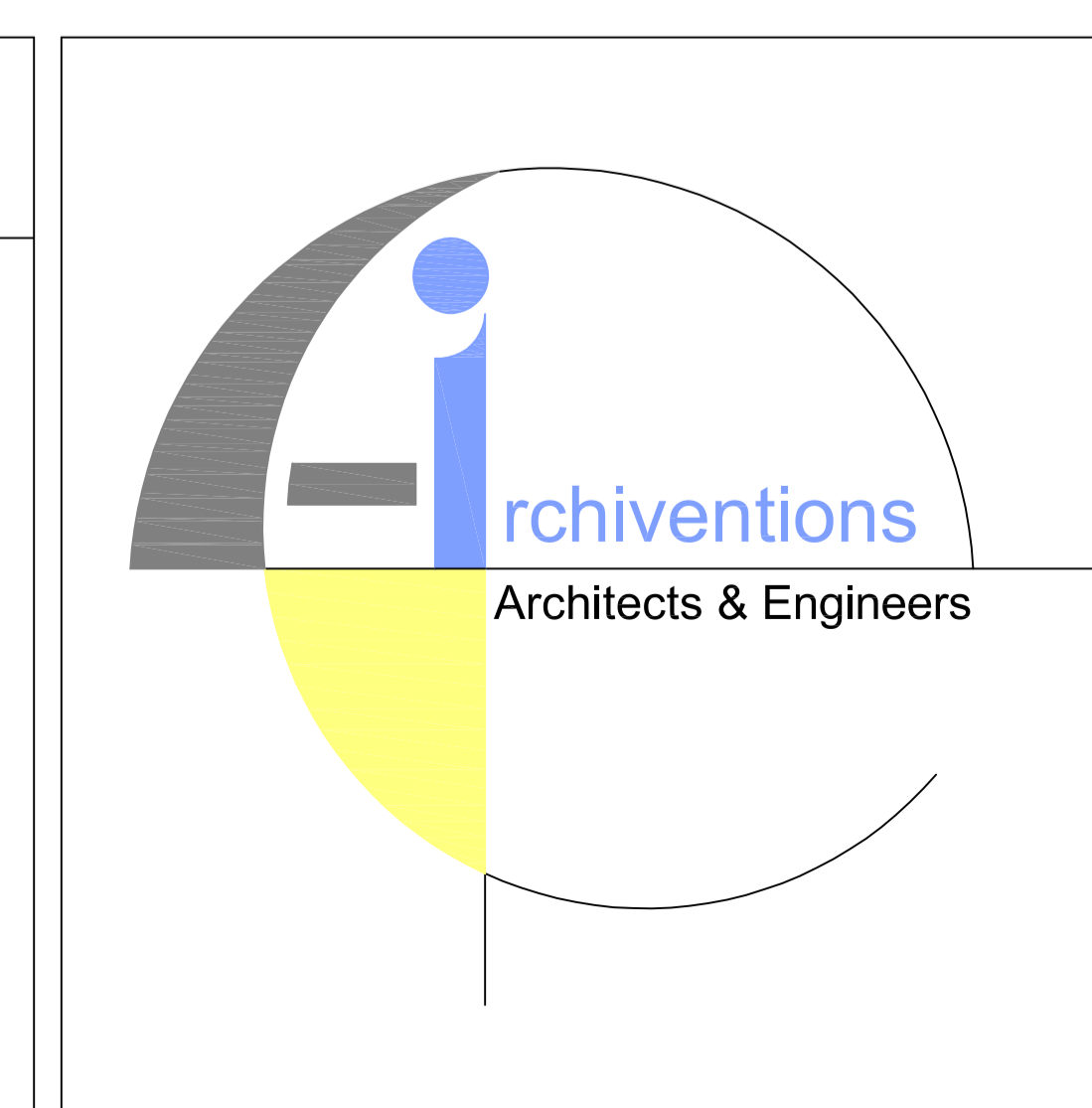
NOTE- M/S ARCHIVENTIONS- ARCHITECTS & ENGINEERS RESERVES THE COPYRIGHT OF THE DRAWING AND HENCE IT SHOULD NOT BE REPRODUCED OR USED WITHOUT THE PRIOR PERMISSION FROM ARCHIVENTIONS. HOWEVER THE CLIENT MAY USE THE DRAWING FOR FURTHER APPROVAL AND TENDERING PURPOSE FOR THE SAID PROJECT

JOB NO.	DATE	SCALE	DEALT BY	CHKD BY	DRG NO.
		N.T.S	AR. DEBOJYOTI DEBROY	AR. DEBOJYOTI DEBROY	



CLIENT	Description of Proposal.					
LAYOUT PLANS	ASSAM GRAMIN VIKAS BANK GUWAHATI HEAD OFFICE BHANGAGARH, G.S ROAD					
	SLD for Lighting Distribution Boards OF ASSAM GRAMIN VIKAS BANK AT BHANGAGARH, GUWAHATI (FIRST FLOOR PLAN) CARPET AREA- 5235 SQ. FT (APPROX)					
	NOTE- M/S ARCHIVENTIONS- ARCHITECTS & ENGINEERS RESERVES THE COPYRIGHT OF THE DRAWING AND HENCE IT SHOULD NOT BE REPRODUCED OR USED WITHOUT THE PRIOR PERMISSION FROM ARCHIVENTIONS. HOWEVER THE CLIENT MAY USE THE DRAWING FOR FURTHER APPROVAL AND TENDERING PURPOSE FOR THE SAID PROJECT					
JOB NO.	DATE	SCALE	DEALT BY	CHKD BY	DRG NO.	
		N.T.S	AR. DEBOJYOTI DEBROY	AR. DEBOJYOTI DEBROY		

SIGN & STAMP

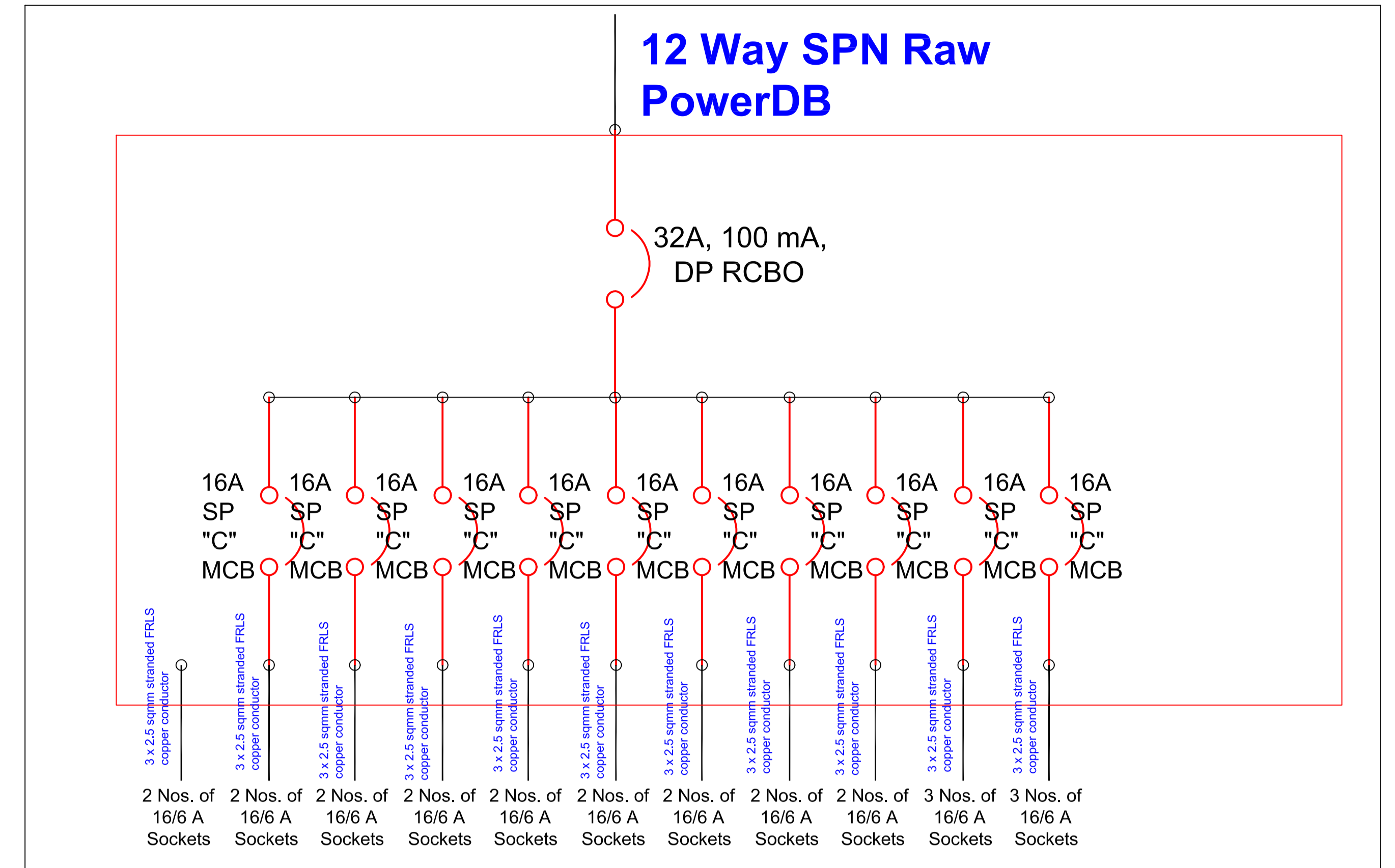
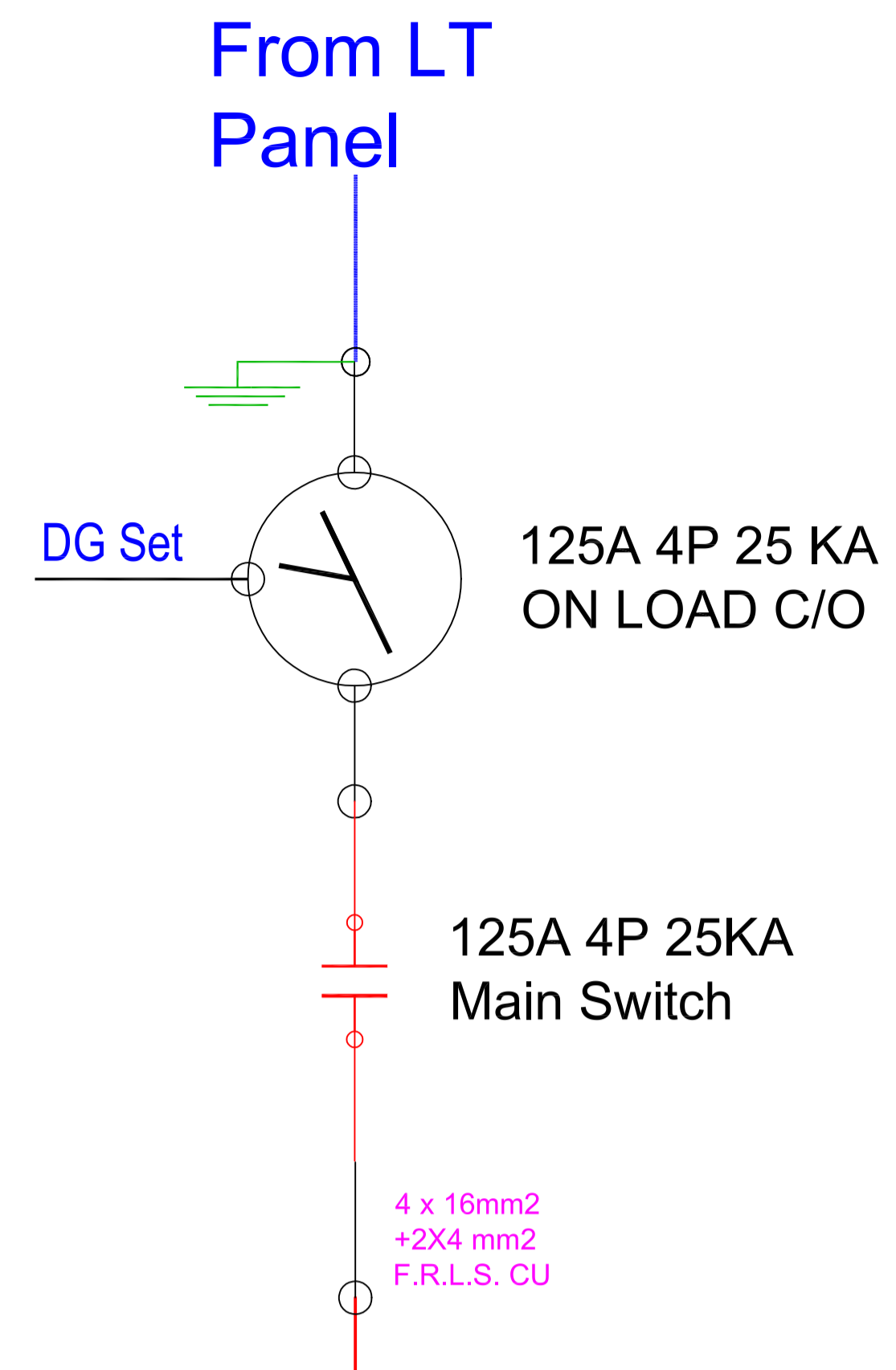


FIRM NAME & ADDRESS

ARCHIVENTIONS

Architects , Planners & Interior Designers
 C.O.A. Regd. No.- CA / 2004 / 32922
 Associate Member, IIA Regdn No- 17418

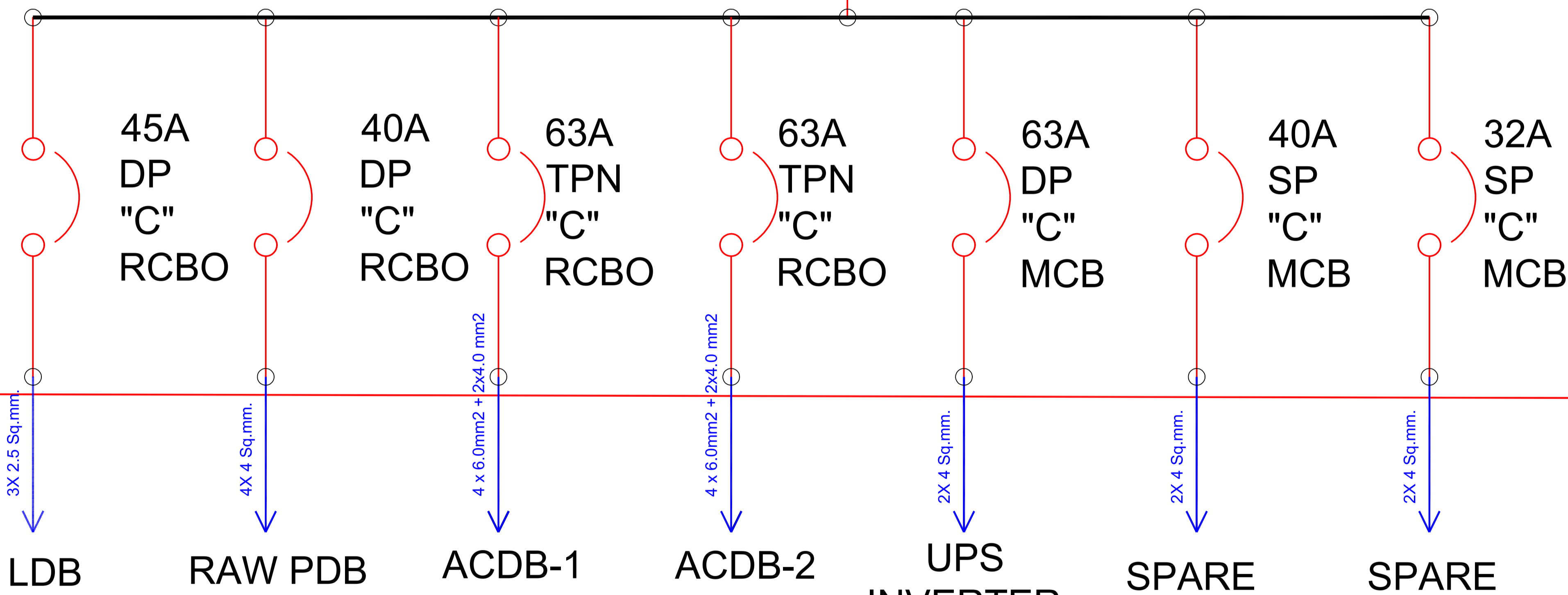
ADDRESS
 Above Kalita Enterprises, 1st Floor
 Bank of India Zoo Road Branch Building
 Zunali, R.G. Baruah Road, Guwahati-781024
 Ph- +91-361-2970463 / +91-9854062928
 email- debojyoti@archiventions.com



6 Way VTPN DB

4 Pole, Type C, 125 Amp 25 KA RCBO

70x10 mm Bus Bar



Branch Circuit	SB No.	Panel Light	Down Light	Tube Light	Ceiling Fan	Wall Fan	Exhaust Fan	SA Socket	Total Points	Load Current (Non-Continuous)	Total Sub-Branch Current	Total Branch Current	Size of MCB (A)	Total Load Current (a)	Min Size of the ELCB/RCCB	
1	1	2	1					1	4	0.77	0.77	2.17	6			
2	3	1	1	4		2		1	9	1.43	1.43	1.43	6			
3	4	3	2					1	8	1.42	1.42	1.42	6			
4	5	1	3					1	3	0.78	0.78	2.23	6			
5	6	1	3					1	8	1.45	1.45	1.70	6			
6	7	4	4					1	11	1.20	1.20	1.70	6			
6	8	4	2					3	10	1.77	1.77	1.77	6			
7	9	3	3					1	10	1.71	1.71	1.71	6			
8	10	2						2	5	1.13	1.13	2.47	6			
11	11	3	1					2	7	1.34	1.34	2.47	6			
9	12	4	3					3	11	1.84	1.84	1.84	6	25.17	45.00	
10	13	4	2					3	10	1.77	1.77	1.77	6			
14	14	2	2					1	6	1.67	1.67	2.20	6			
11	15	2						2	5	1.13	1.13	2.20	6			
12	16	1	1					1	4	0.86	0.86	2.08	6			
13	17		4					2	7	1.22	1.22	1.52	6			
18	18	2						2	1	4	0.83	0.83	1.52	6		
13	19	2						2	1	4	0.70	0.70	1.52	6		
14	20	1	1					1	3	0.43	0.43	0.43	6			
15	21	1						2	3	0.57	0.57	0.57	6			
16	22		5					1	6	0.87	0.87	0.87	6			

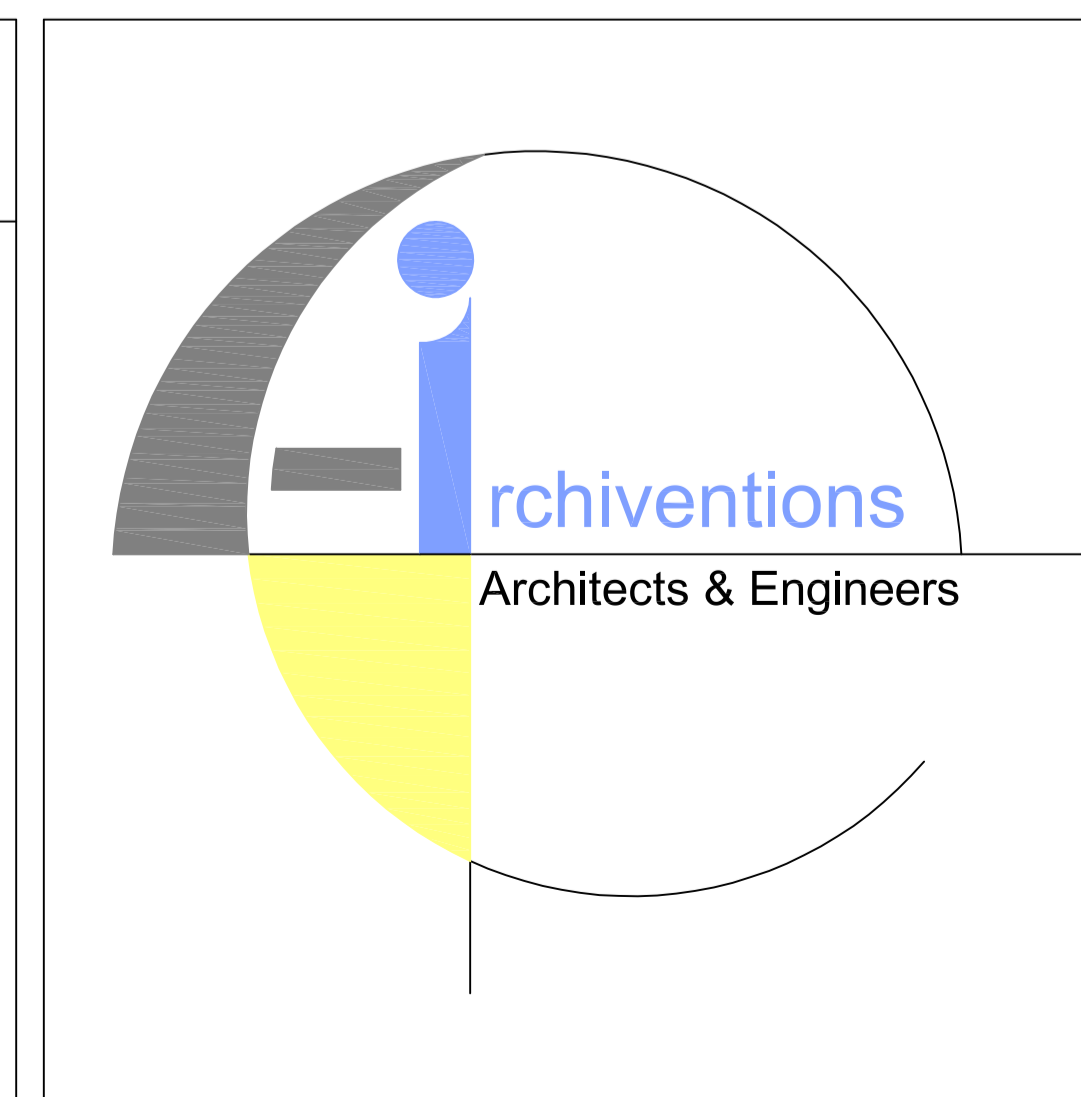
Branch Circuit	Light On UPS	3x6 Socket	Load Current (Non-Continuous)	Load Current Continuous	Total Branch Current	Size of MCB (A)	Total Load Current (a)	Max Size of Branch MCB	Total Current of the Panel / DB (b)	Min Size of the incoming ELCB/RCCB	Remarks
1	1	6	2.70	0.00	2.70	16					
2		6	2.61	0.00	2.61	16					
3		6	2.61	0.00	2.61	16					
4		6	2.61	0.00	2.61	16					
5		6	2.61	0.00	2.61	16					
6		6	2.61	0.00	2.61	16					
7		6	2.61	0.00	2.61	16					
8		6	2.61	0.00	2.61	16					
9		6	2.61	0.00	2.61	16					
10		6	2.61	0.00	2.61	16					
11		6	2.61	0.00	2.61	16					
12		6	2.61	0.00	2.61	16					
13		6	2.61	0.00	2.61	16					
14		6	2.61	0.00	2.61	16					
15		6	2.61	0.00	2.61	16					
16		6	2.61	0.00	2.61	16					3 Points looped in one MCB

Branch Circuit	16/6 A Socket Load upto 200 W	Load Current (Non-Continuous)	Load Current Continuous	Total Branch Current	Size of MCB (A)	Total Load Current (a)	Max Size of Branch MCB	Total Current of the Panel / DB (b)	Min Size of the Incoming ELCB/RCCB	Remarks
1	2	1.74	0.00	1.74	16	19.13	16	12	32	2 Points looped in one MCB
2	2	1.74	0.00	1.74	16					
3	2	1.74	0.00	1.74	16					
4	2	1.74	0.00	1.74	16					
5	2	1.74	0.00	1.74	16					
6	2	1.74	0.00	1.74	16					
7	2	1.74	0.00	1.74	16					
8	2	1.74	0.00	1.74	16					
9	3	2.61	0.00	2.61	16					
10	3	2.61	0.00	2.61	16					

Branch Circuit	20 A AC Socket	Load Current (Non-Continuous)	Load Current Continuous	Total Branch Current	Size of MCB (A)	Total Load Current (a)	Max Size of Branch MCB	Total Current of the Panel / DB (b)	Min Size of the incoming ELCB/RCCB	Remarks
1	1	6.52	0	6.52	16	58.70	16.00	32.00	125	(63A TPN)
2	1	6.52	0	6.52	16					
3	1	6.52	0	6.52	16					
4	1	6.52	0	6.52	16					
5	1	6.52	0	6.52	16					
6	1	6.52	0	6.52	16					
7	1	6.52	0	6.52	16					
8	1	6.52	0	6.52	16					
9	1	6.52	0	6.52	16					

CLIENT	Description of Proposal.					
ASSAM GRAMIN VIKAS BANK GUWAHATI HEAD OFFICE BHANGAGARH, G.S ROAD	SLD OF VTPN DB OF ASSAM GRAMIN VIKAS BANK AT BHANGAGARH, GUWAHATI (FIRST FLOOR PLAN) CARPET AREA- 5235 SQ. FT (APPROX)					
LAYOUT PLANS	NOTE- M/S ARCHIVENTIONS- ARCHITECTS & ENGINEERS RESERVES THE COPYRIGHT OF THE DRAWING AND HENCE IT SHOULD NOT BE REPRODUCED OR USED WITHOUT THE PRIOR PERMISSION FROM ARCHIVENTIONS. HOWEVER THE CLIENT MAY USE THE DRAWING FOR FURTHER APPROVAL AND TENDERING PURPOSE FOR THE SAID PROJECT					
	JOB NO.	DATE	SCALE	DEALT BY	CHKD BY	DRG NO.
			N.T.S	AR. DEBOJYOTI DEBROY	AR. DEBOJYOTI DEBROY	

SIGN & STAMP



FIRM NAME & ADDRESS

ARCHIVENTIONS

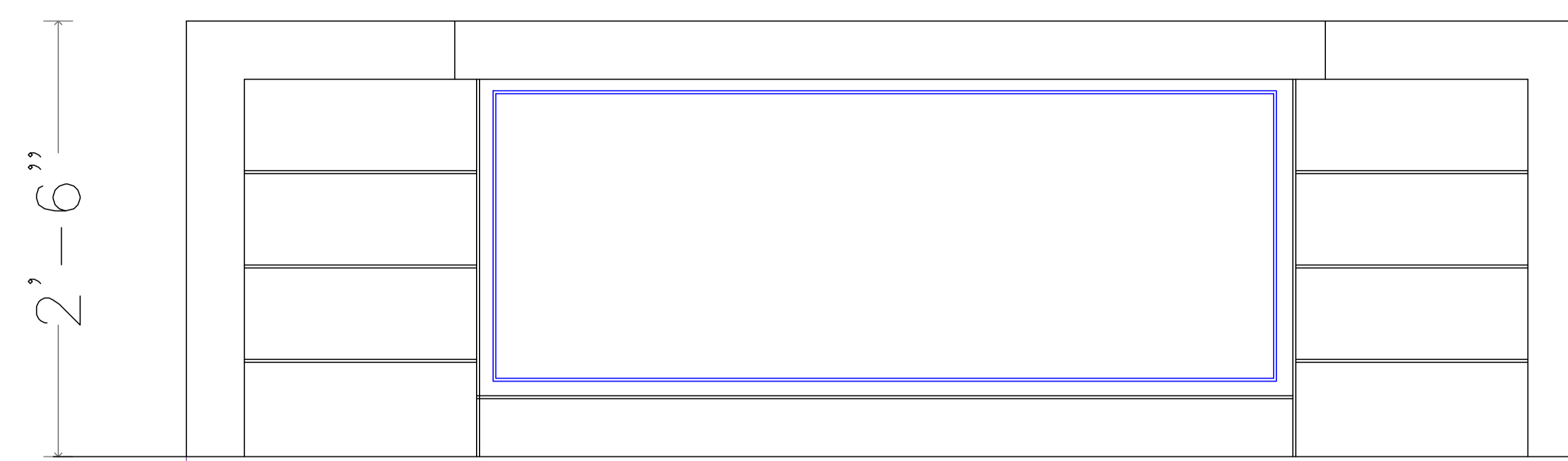
Architects , Planners & Interior Designers
C.O.A. Regd. No.- CA / 2004 / 32922
Associate Member, IIA Regdn No- 17418

ADDRESS
Above Kalita Enterprises, 1st Floor
Bank of India Zoo Road Branch Building
Zunali, R.G. Baruah Road, Guwahati-781024
Ph- +91-361-2970463 / +91-9854062928
email- debojyoti@archiventions.com

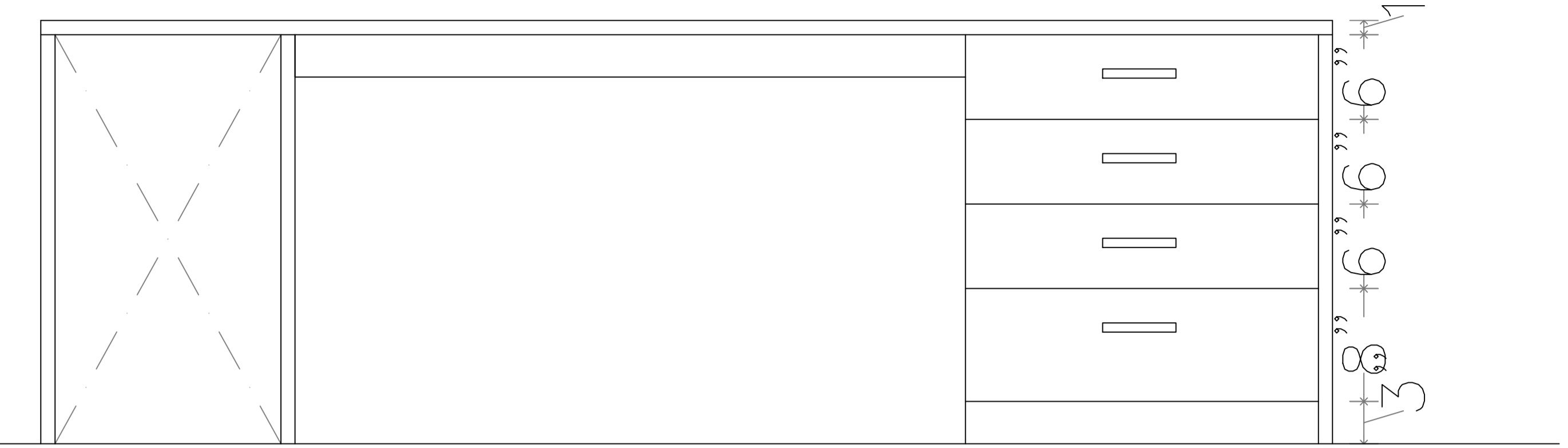
8MM GLASS TABLE TOP BEVELLED EDGES & CUT FOR WIRE MANAGER

STORAGE TOP FINISH WITH VENEER (light)

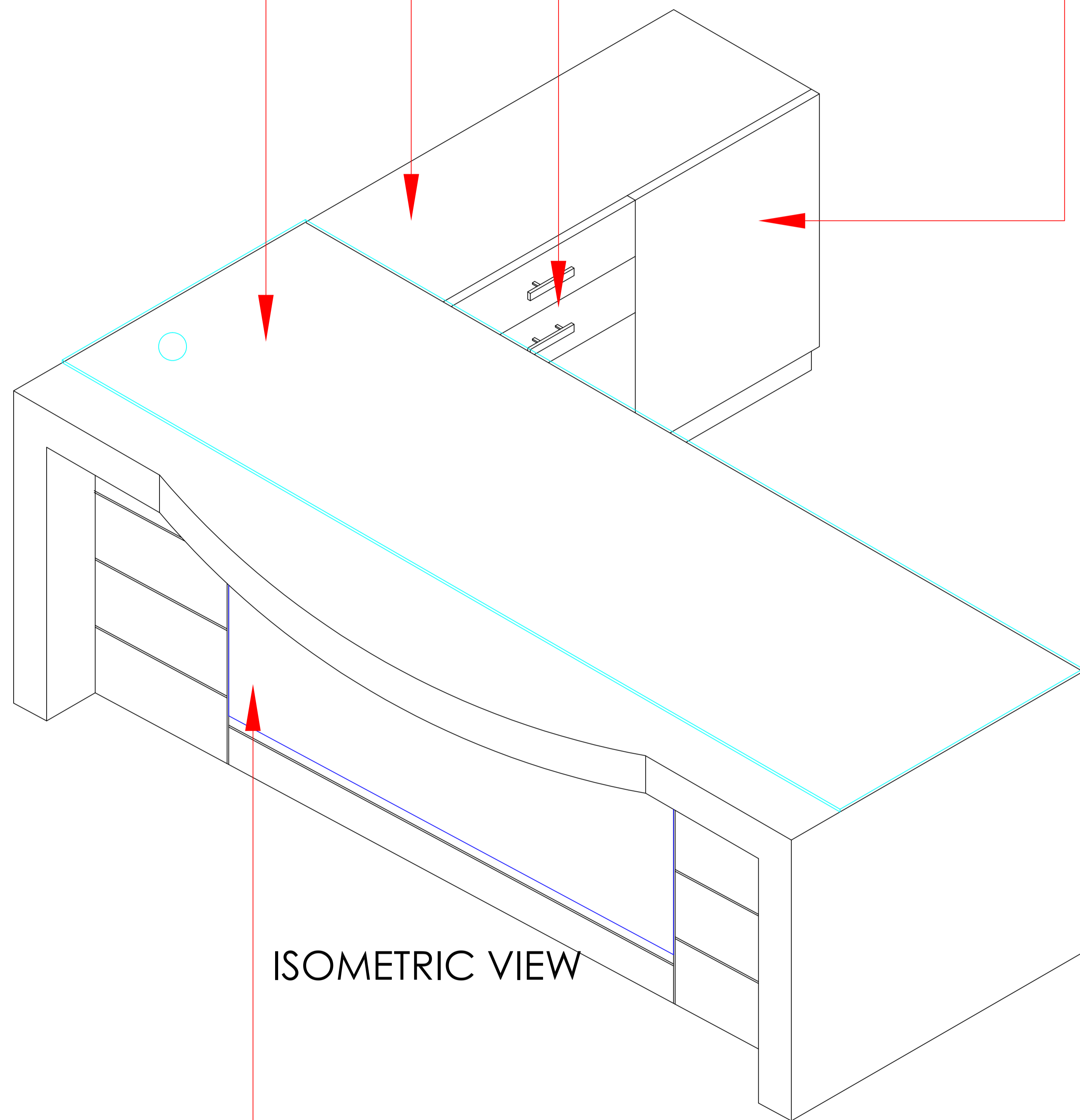
SHUTTER FINISH WITH VENEER (dark)



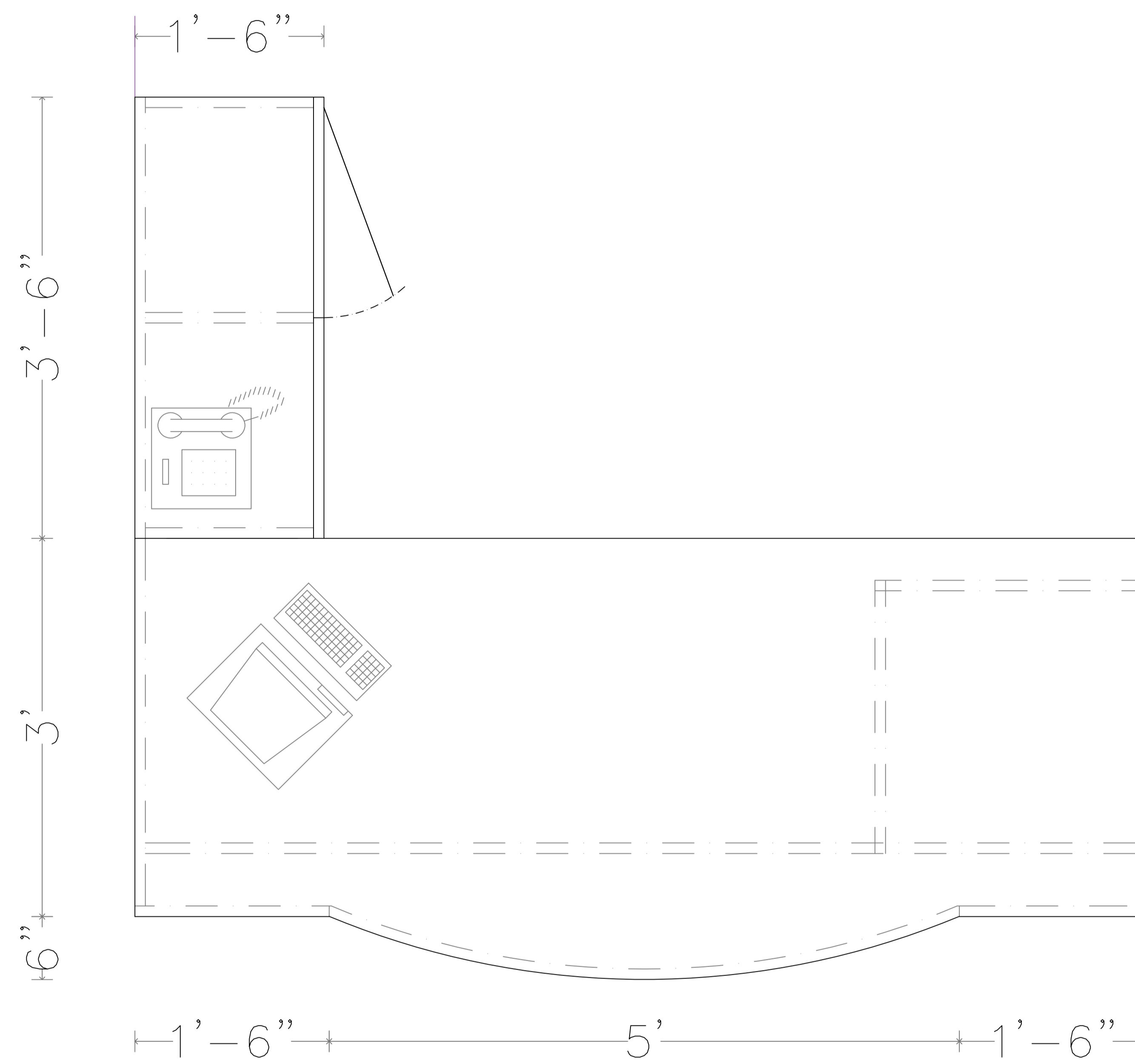
FRONT ELEVATION



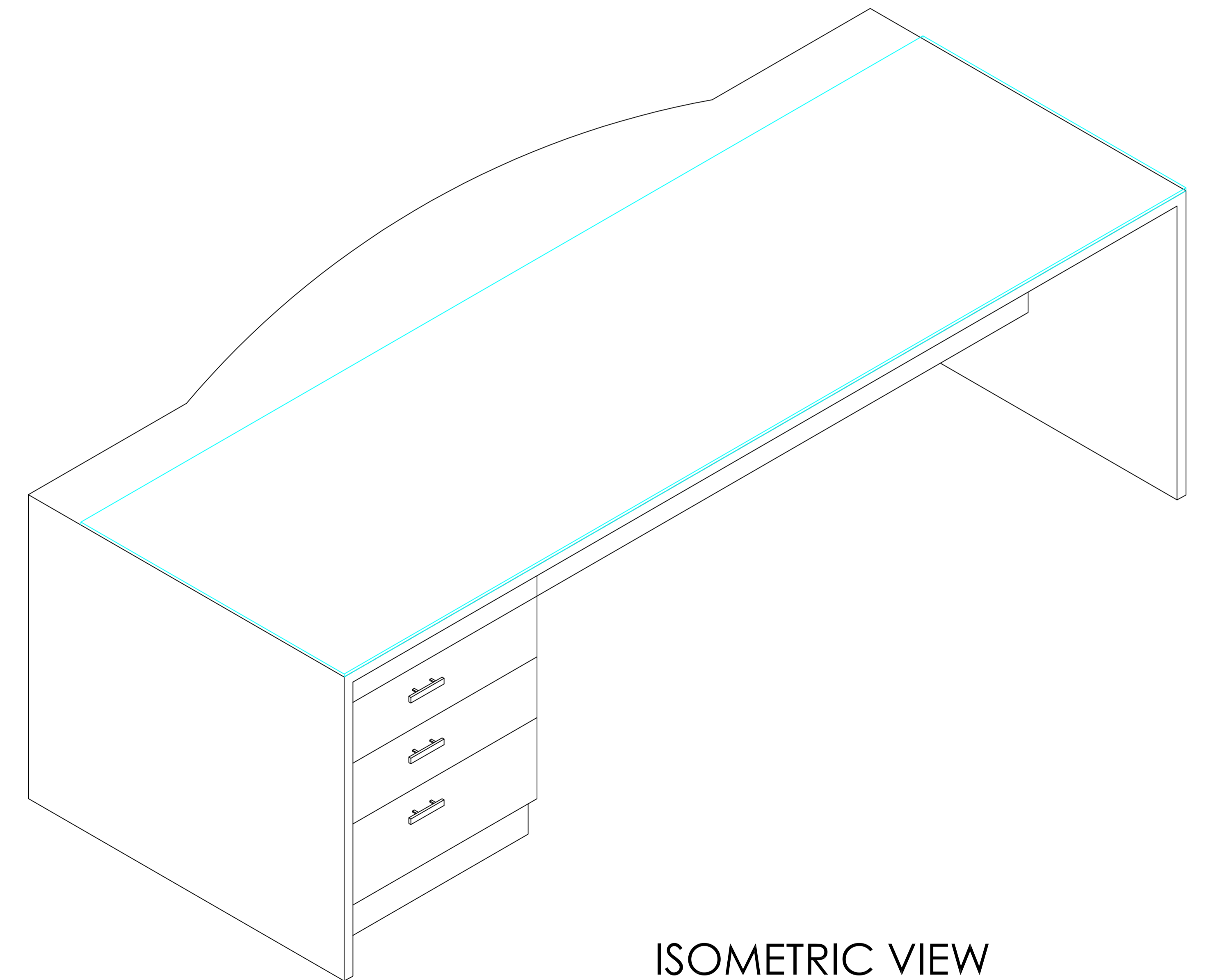
REAR ELEVATION



ISOMETRIC VIEW



PLAN



ISOMETRIC VIEW

8MM THK FROSTED ACRYLIC WITH BANK'S LOGO ON 4 NOS S.S. STUD FIXED OVER 18/19 MM THK PLYWOOD APPRON

CLIENT	Description of Proposal.				
ASSAM GRAMIN VIKAS BANK GUWAHATI HEAD OFFICE BHANGAGARH, G.S ROAD	DETAIL OF CHAIRMAN'S TABLE				
DETAIL	NOTE- M/S ARCHIVENTIONS- ARCHITECTS & ENGINEERS RESERVES THE COPYRIGHT OF THE DRAWING AND HENCE IT SHOULD NOT BE REPRODUCED OR USED WITHOUT THE PRIOR PERMISSION FROM ARCHIVENTIONS. HOWEVER THE CLIENT MAY USE THE DRAWING FOR FURTHER APPROVAL AND TENDERING PURPOSE FOR THE SAID PROJECT				
	JOB NO.	DATE	SCALE	DEALT BY	CHKD BY
			N.T.S	AR. DEEPAJ DUTTA	AR. DEBOJYOTI DEBROY
				DRG NO.	ARC-10

SIGN & STAMP

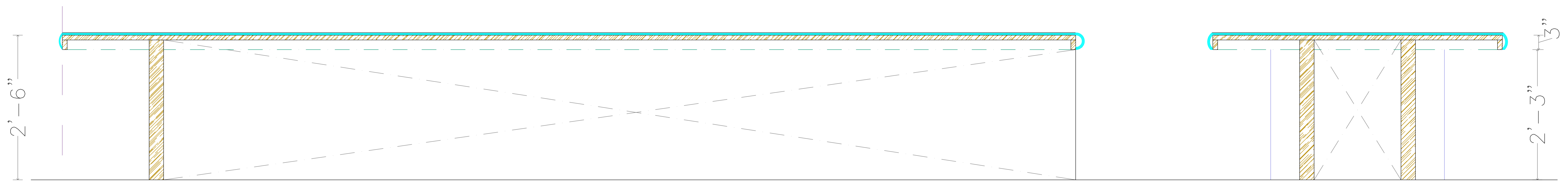


FIRM NAME & ADDRESS

ARCHIVENTIONS

Architects , Planners & Interior Designers
C.O.A. Regd. No.- CA / 2004 / 32922
Associate Member, IIA Regdn No- 17418

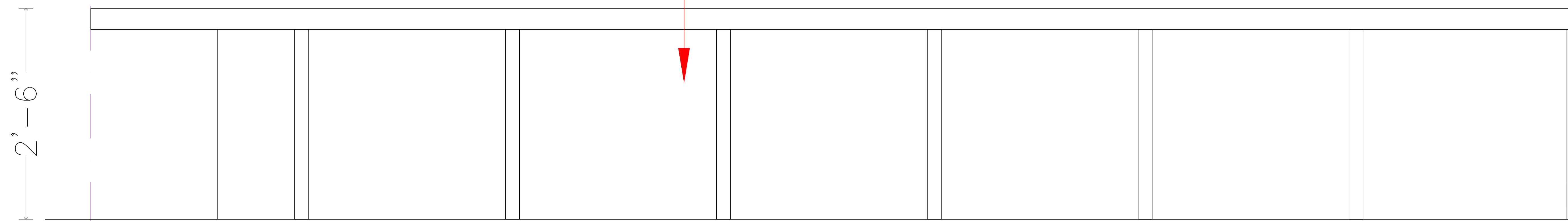
ADDRESS
Above Kalita Enterprises, 1st Floor
Bank of India Zoo Road Branch Building
Zunali, R.G. Baruah Road, Guwahati-781024
Ph- +91-361-2970463 / +91-9854062928
email- debojyoti@archiventions.com



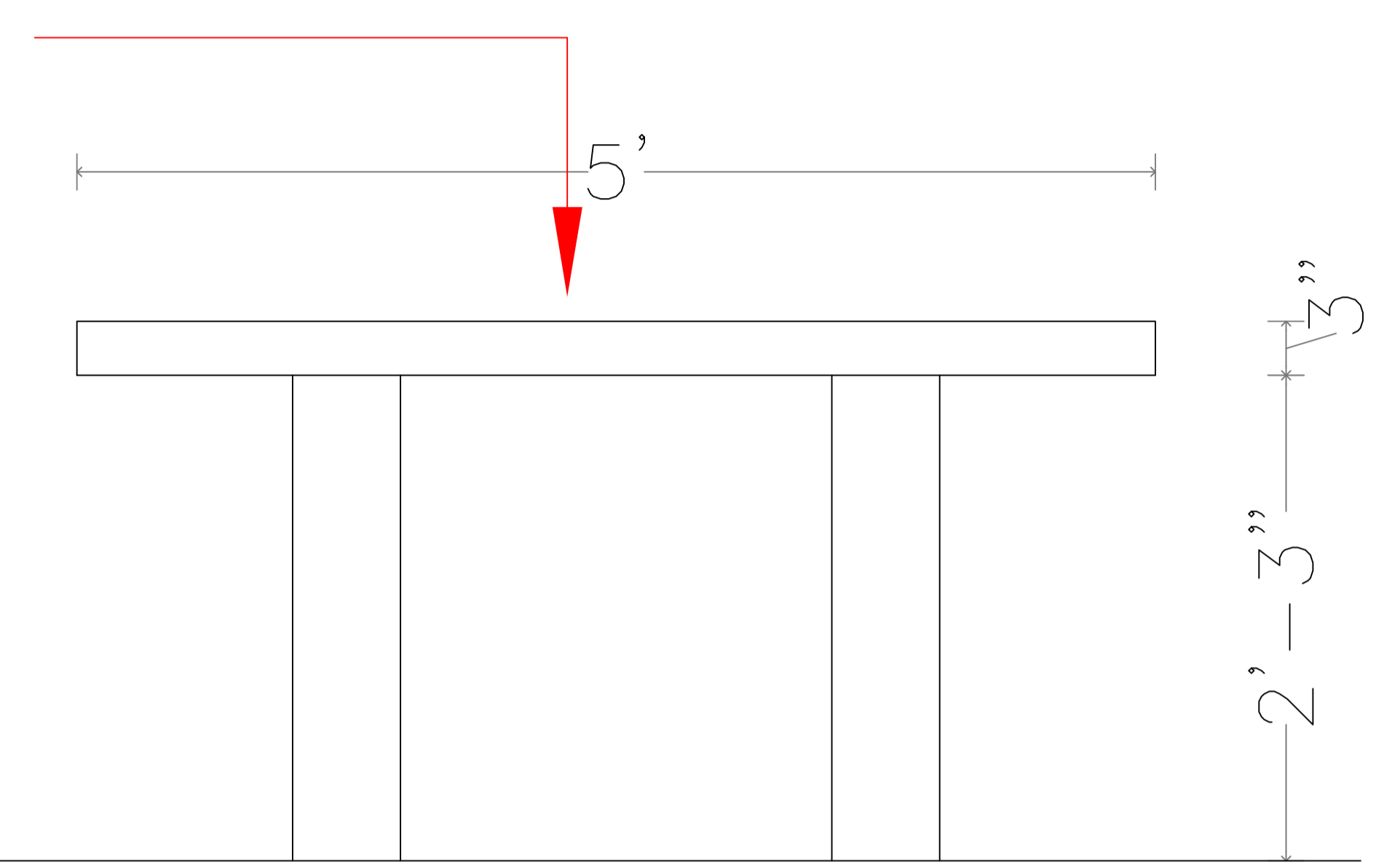
SECTIONAL ELEVATION OF B-B'

CONFERENCE TABLE BASE
WITH 1.0MM THK LAMINATE
OF APPROVED SHADE

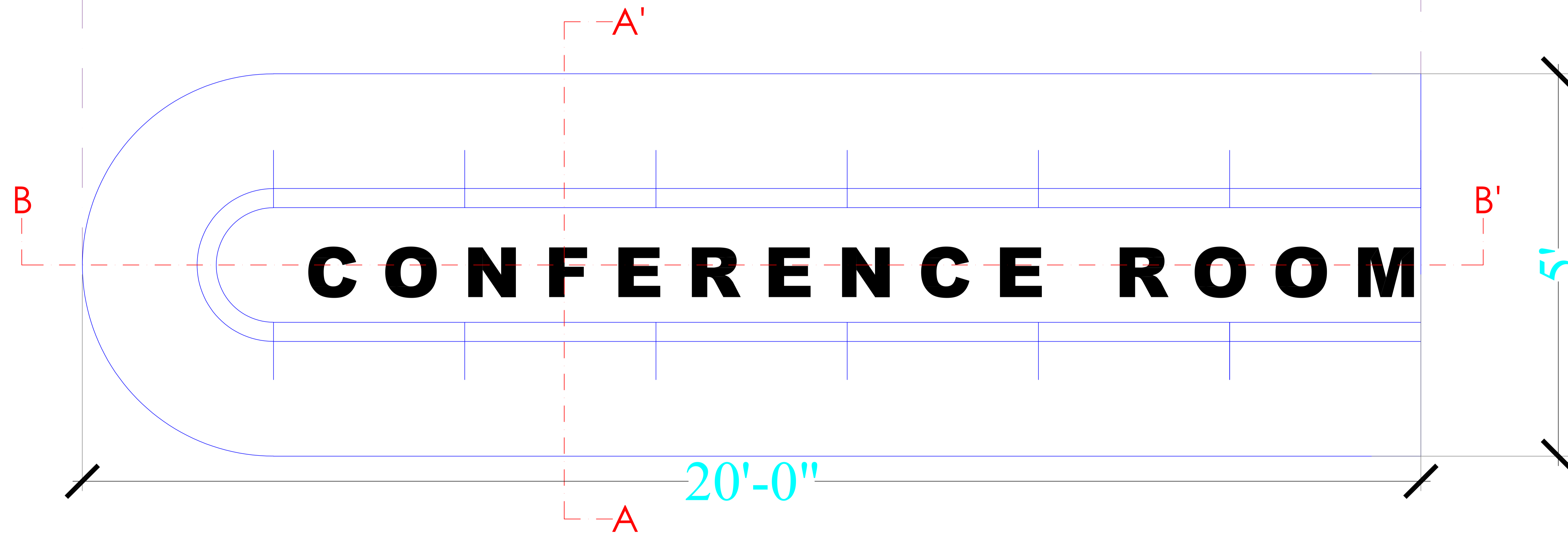
CONFERENCE TABLE TOP
WITH CORIAN TOP
WITH EDGE MOULDEING



ELEVATION OF CONFERENCE TABLE



SIDE ELEVATION



PLAN OF CONFERENCE TABLE

CLIENT	Description of Proposal.				
ASSAM GRAMIN VIKAS BANK GUWAHATI HEAD OFFICE BHANGGARH, G.S ROAD	DETAIL OF CONFERENCE TABLE				
DETAIL	NOTE- M/S ARCHIVENTIONS- ARCHITECTS & ENGINEERS RESERVES THE COPYRIGHT OF THE DRAWING AND HENCE IT SHOULD NOT BE REPRODUCED OR USED WITHOUT THE PRIOR PERMISSION FROM ARCHIVENTIONS. HOWEVER THE CLIENT MAY USE THE DRAWING FOR FURTHER APPROVAL AND TENDERING PURPOSE FOR THE SAID PROJECT				
	JOB NO.	DATE	SCALE	DEALT BY	CHKD BY
			N.T.S	AR. DEEPAJ DUTTA	AR. DEBOJYOTI DEBROY
				DRG NO.	ARC-13

SIGN & STAMP

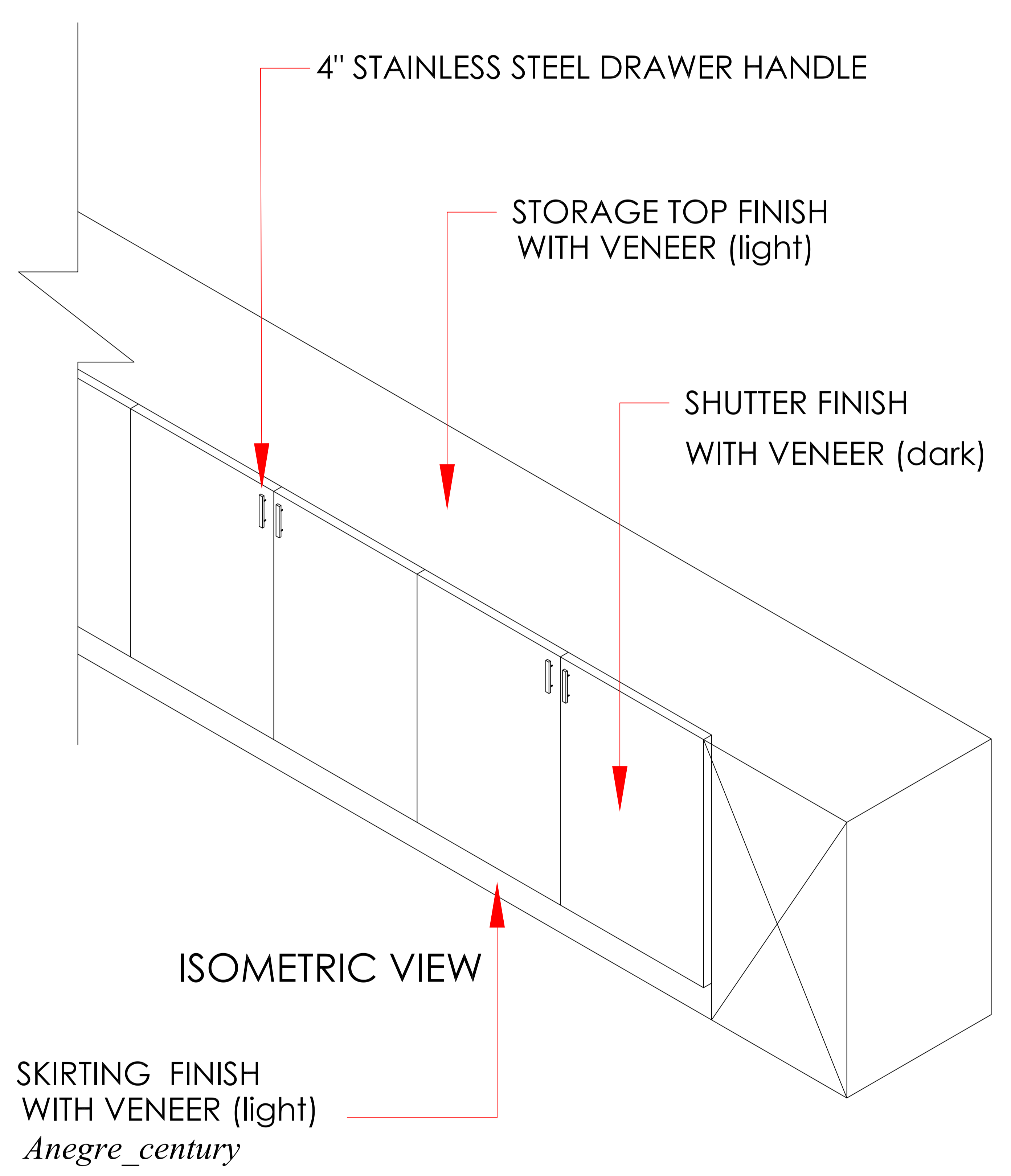
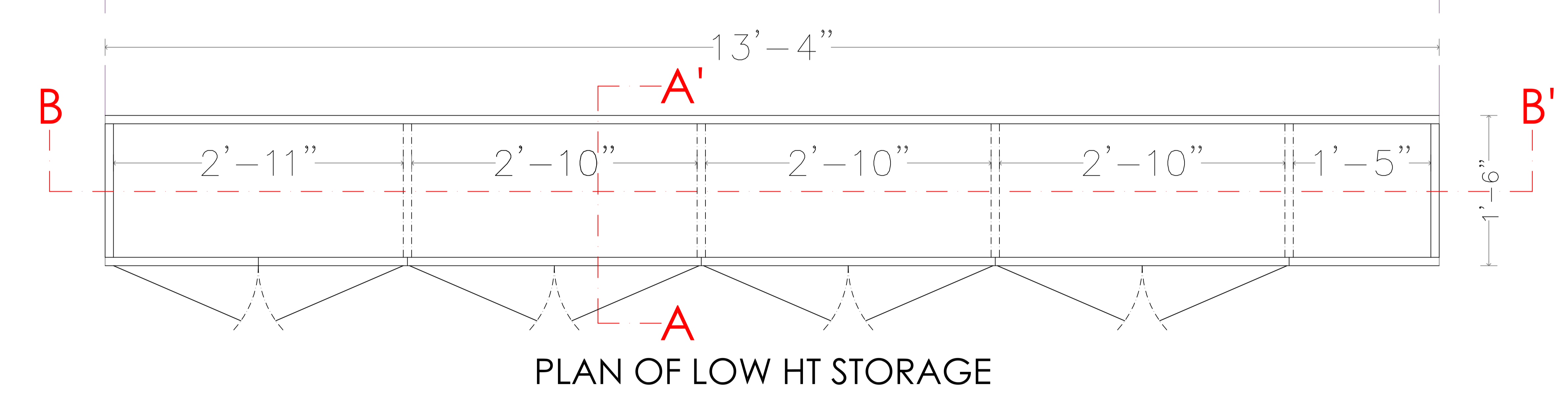
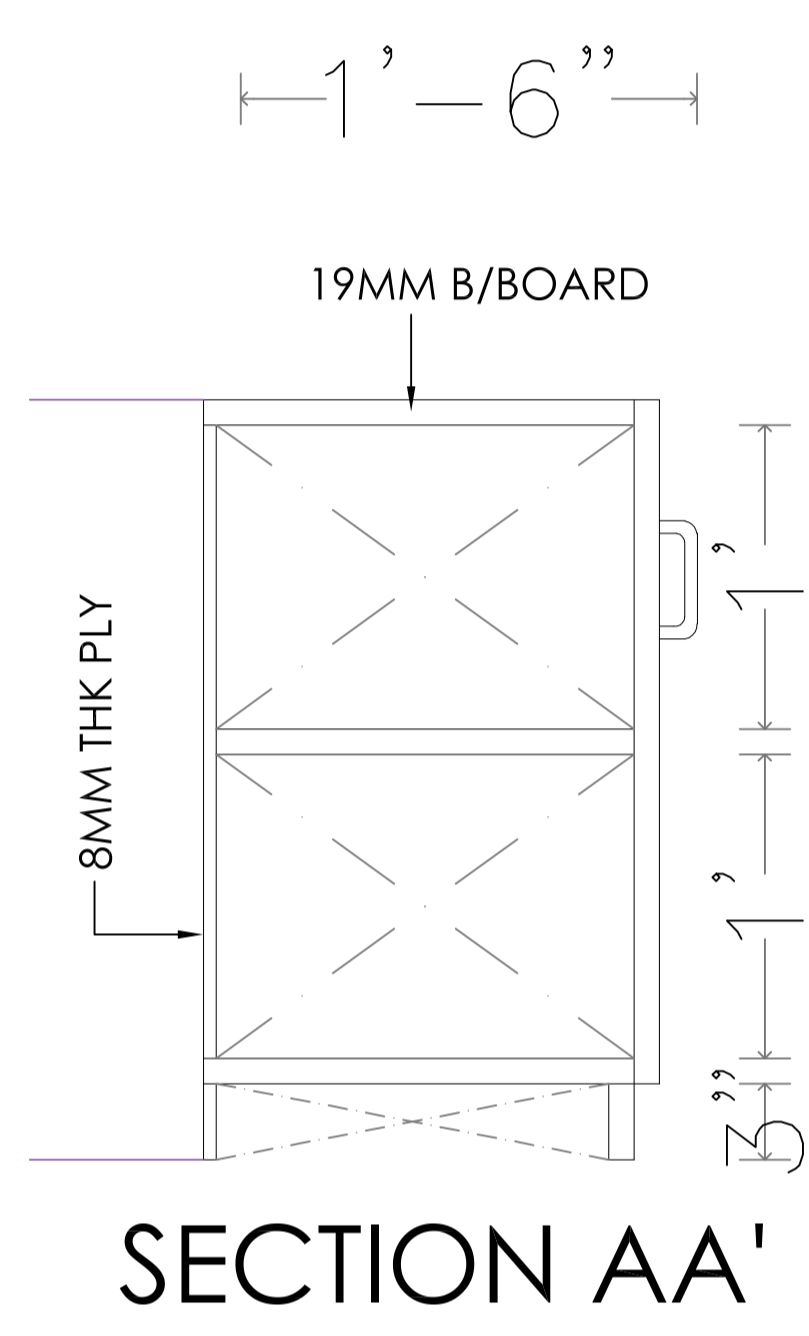
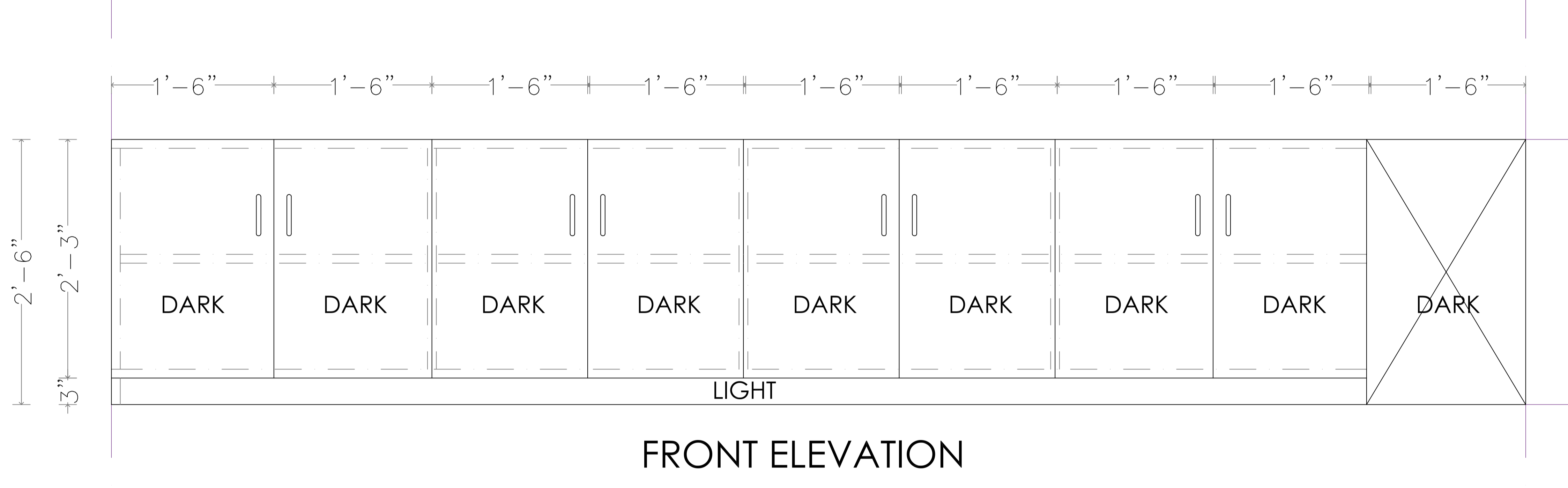
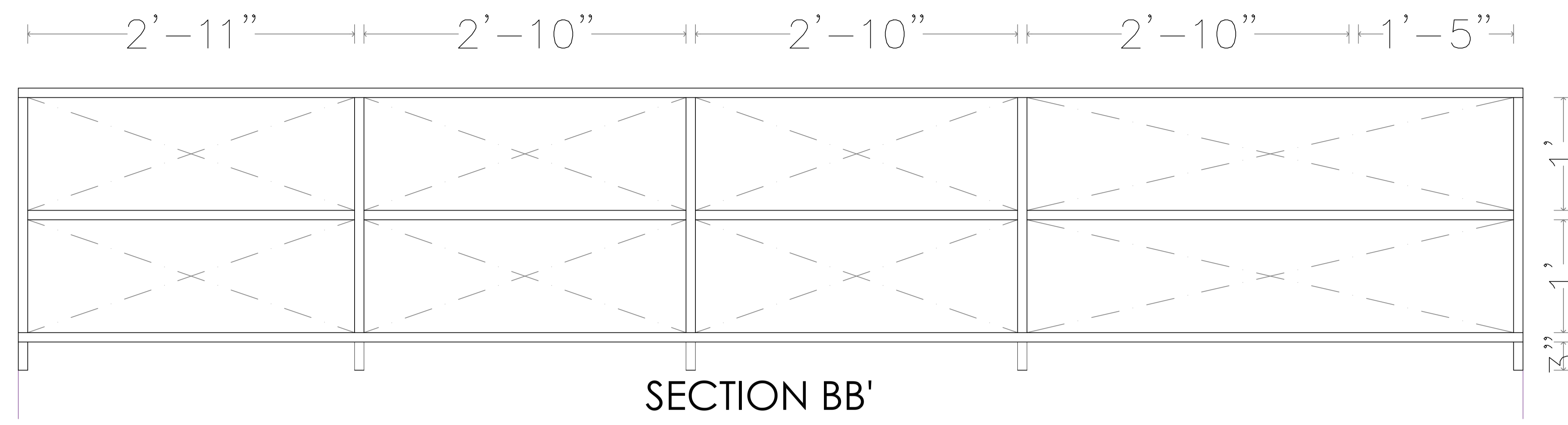


FIRM NAME & ADDRESS

ARCHIVENTIONS

Architects , Planners & Interior Designers
C.O.A. Regd. No.- CA / 2004 / 32922
Associate Member, IIA Regdn No- 17418

ADDRESS
Above Kalita Enterprises, 1st Floor
Bank of India Zoo Road Branch Building
Zunali, R.G. Baruah Road, Guwahati-781024
Ph- +91-361-2970463 / +91-9854062928
email- debojyoti@archiventions.com



CLIENT
ASSAM GRAMIN VIKAS BANK
GUWAHATI HEAD OFFICE
BHANGAGARH, G.S ROAD

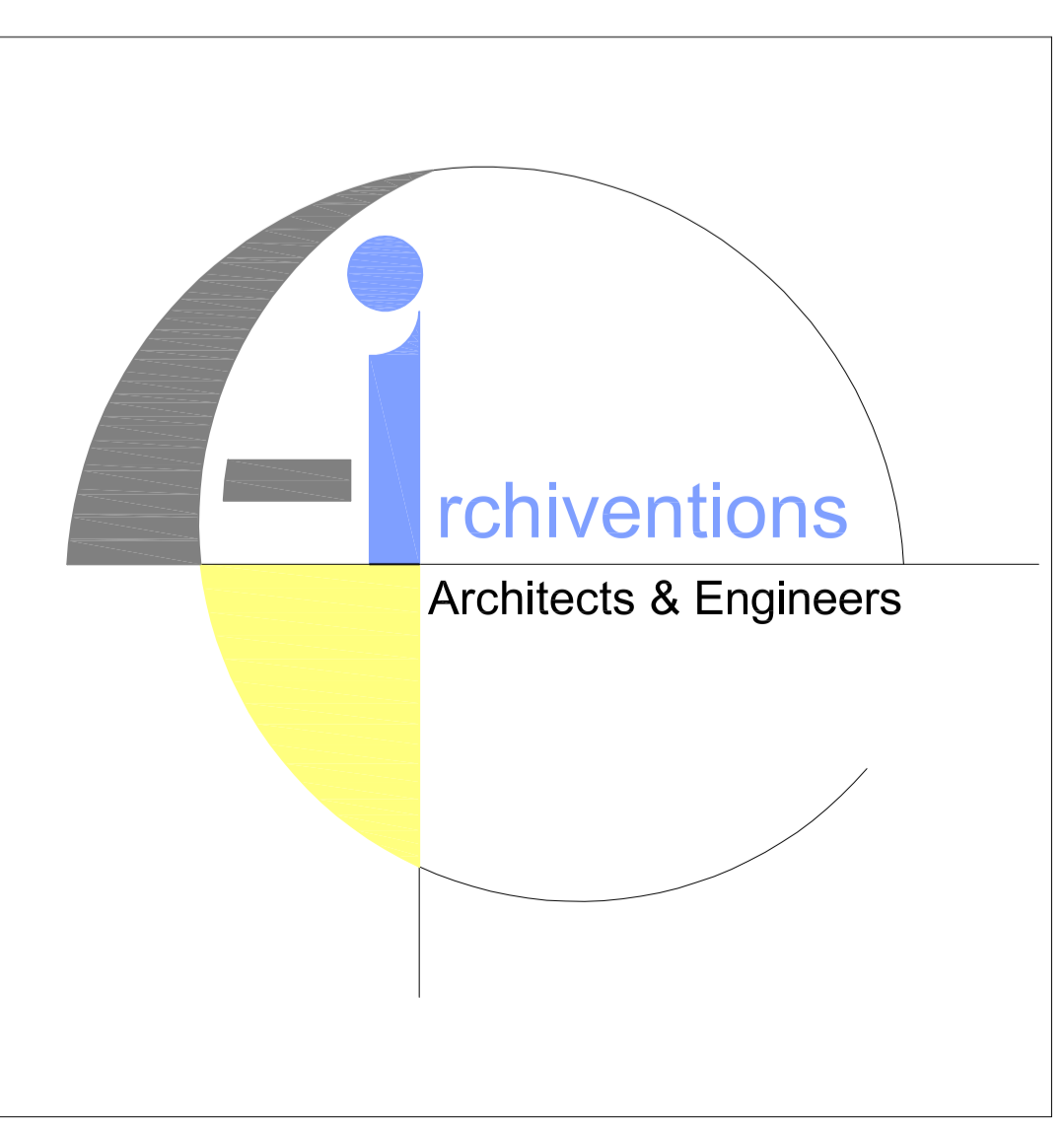
Description of Proposal.
DETAIL OF LOW HT. STORAGE IN VEENER FINISH

DETAIL

NOTE- M/S ARCHIVENTIONS- ARCHITECTS & ENGINEERS RESERVES THE COPYRIGHT OF THE DRAWING AND HENCE IT SHOULD NOT BE REPRODUCED OR USED WITHOUT THE PRIOR PERMISSION FROM ARCHIVENTIONS. HOWEVER THE CLIENT MAY USE THE DRAWING FOR FURTHER APPROVAL AND TENDERING PURPOSE FOR THE SAID PROJECT

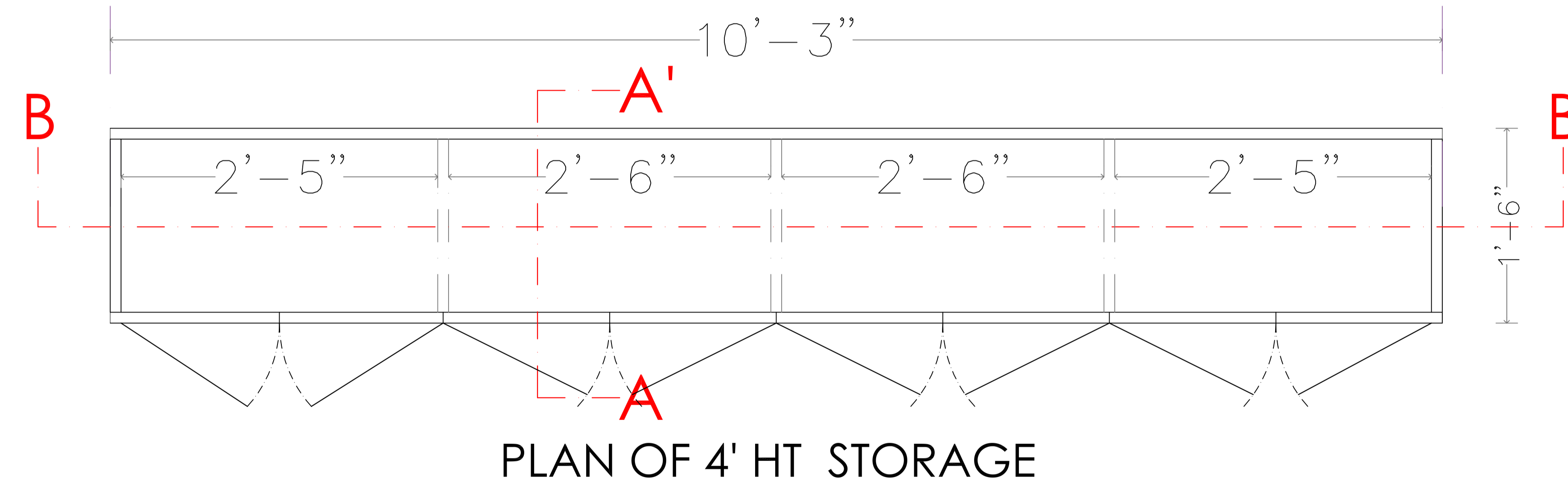
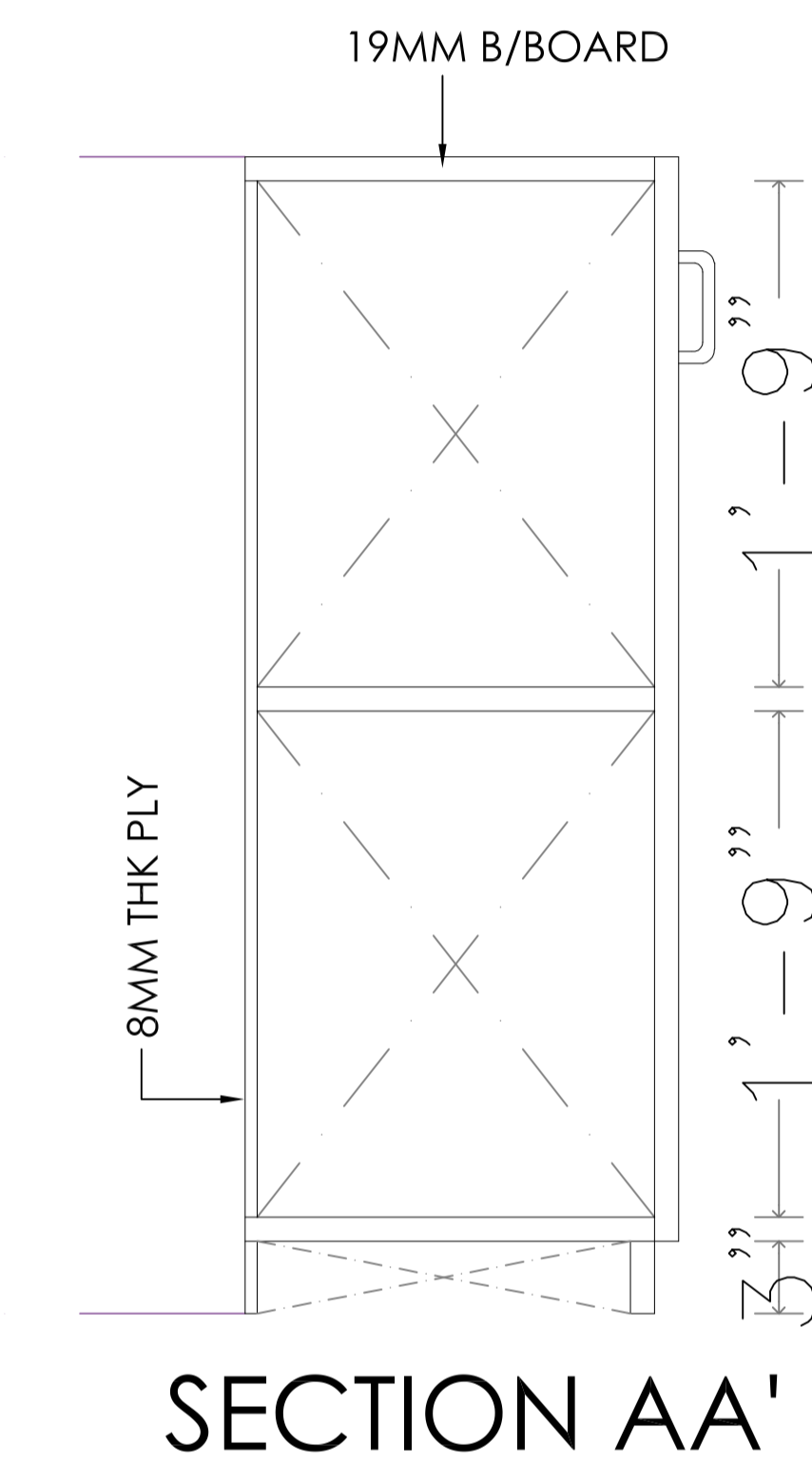
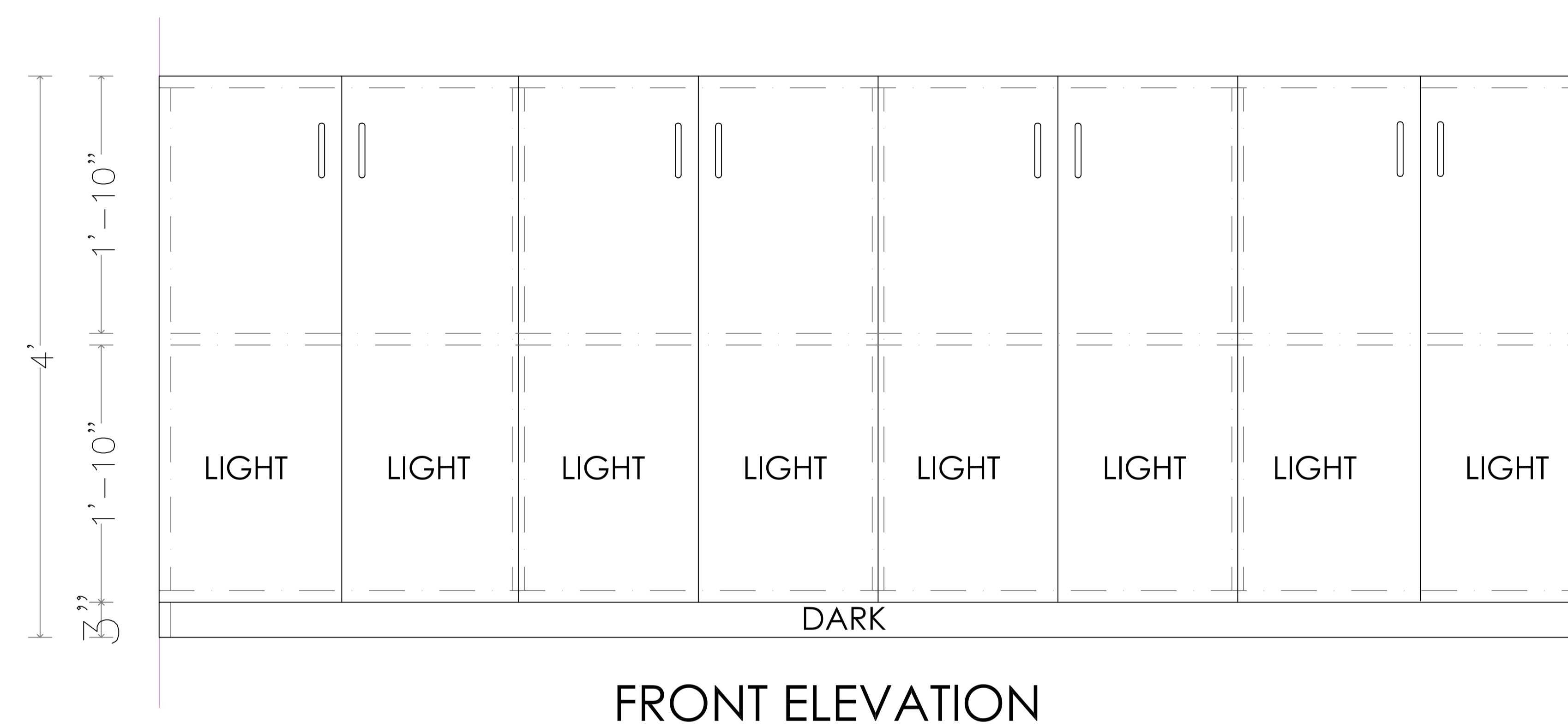
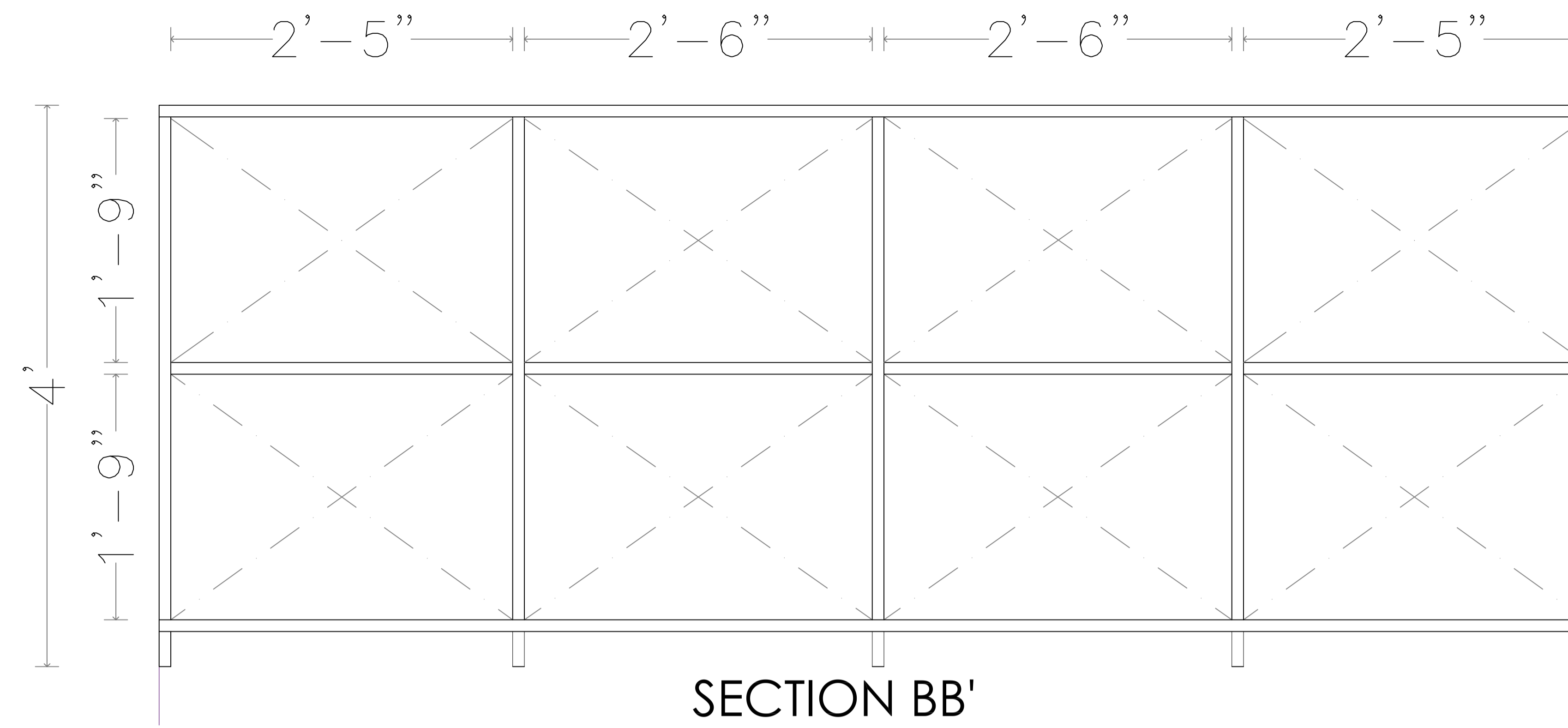
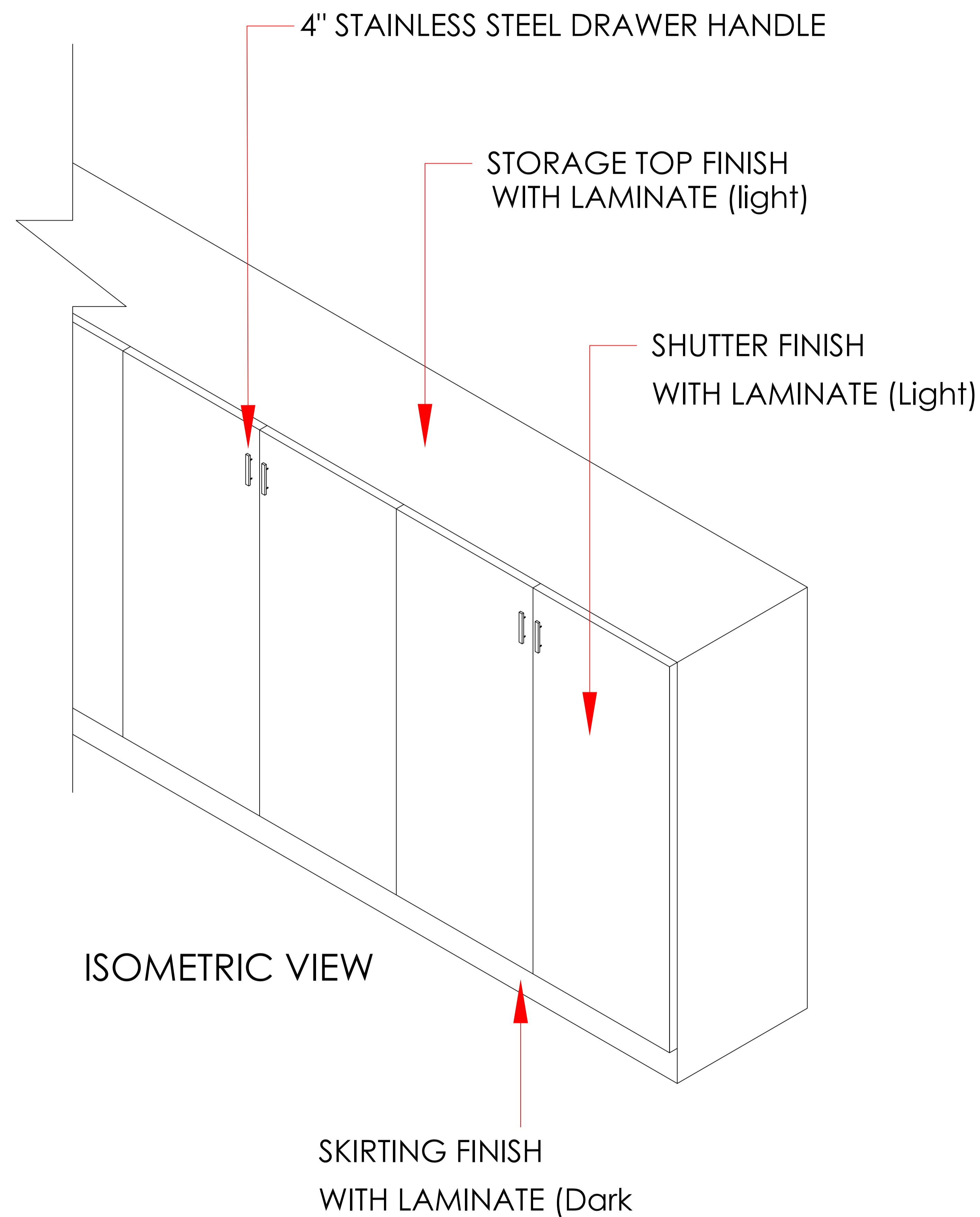
JOB NO.	DATE	SCALE	DEALT BY	CHKD BY	DRG NO.
		N.T.S	AR. DEEPAJ DUTTA	AR. DEBOJYOTI DEBROY	ARC-16

SIGN & STAMP



FIRM NAME & ADDRESS
ARCHIVENTIONS
Architects , Planners & Interior Designers
C.O.A. Regd. No.- CA / 2004 / 32922
Associate Member, IIA Regdn No- 17418

ADDRESS
Above Kalita Enterprises, 1st Floor
Bank of India Zoo Road Branch Building
Zunali, R.G. Baruah Road, Guwahati-781024
Ph- +91-361-2970463 / +91-9854062928
email- debojyoti@archiventions.com



CLIENT
ASSAM GRAMIN VIKAS BANK
 GUWAHATI HEAD OFFICE
 BHANGAGARH, G.S ROAD

Description of Proposal.
DETAIL OF 4' HIGH STORAGES

SIGN & STAMP



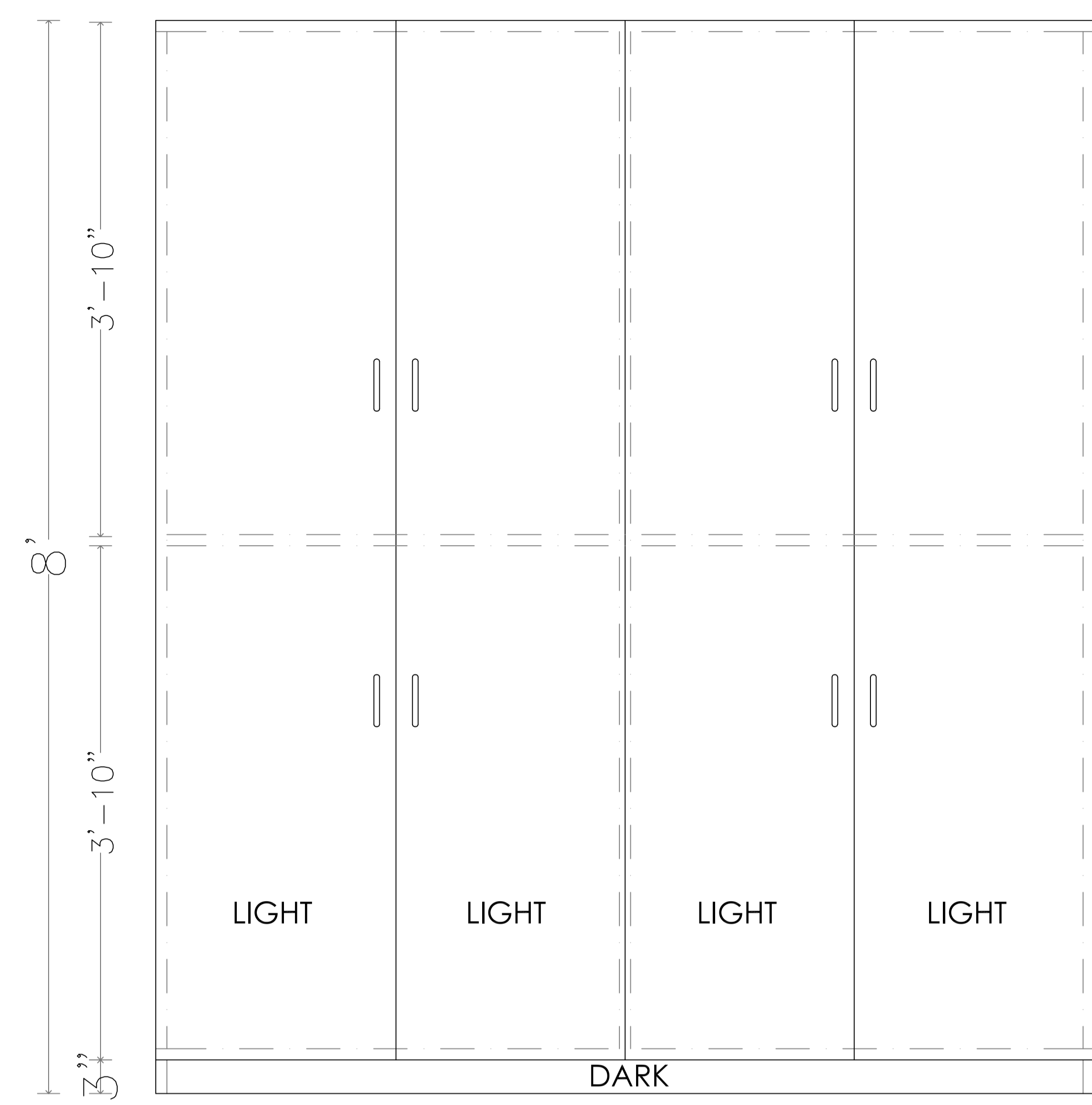
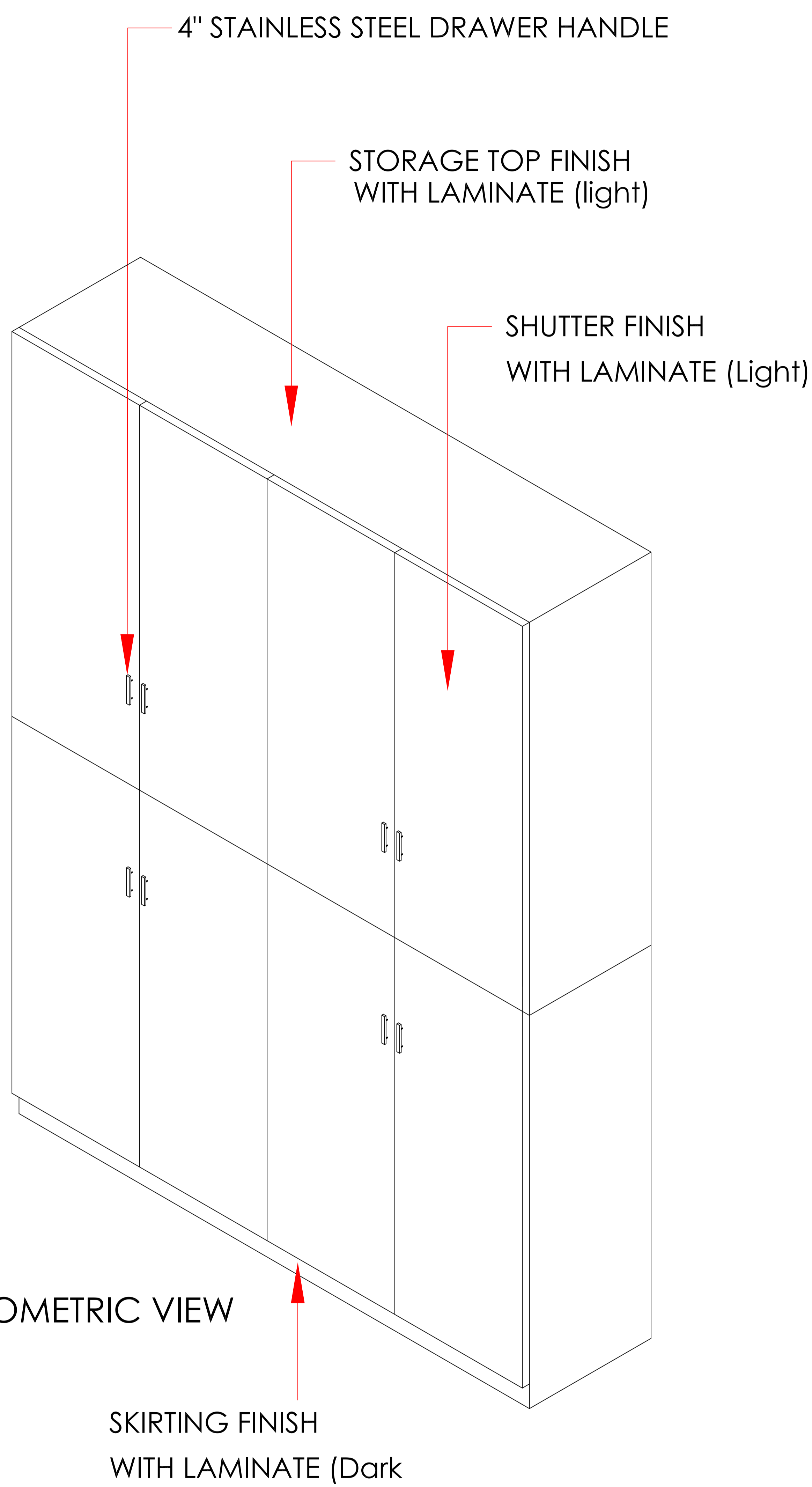
FIRM NAME & ADDRESS
ARCHIVENTIONS
 Architects , Planners & Interior Designers
 C.O.A. Regd. No.- CA / 2004 / 32922
 Associate Member, IIA Regdn No- 17418

ADDRESS
 Above Kalita Enterprises, 1st Floor
 Bank of India Zoo Road Branch Building
 Zunali, R.G. Baruah Road, Guwahati-781024
 Ph- +91-361-2970463 / +91-9854062928
 email- debojyoti@archiventions.com

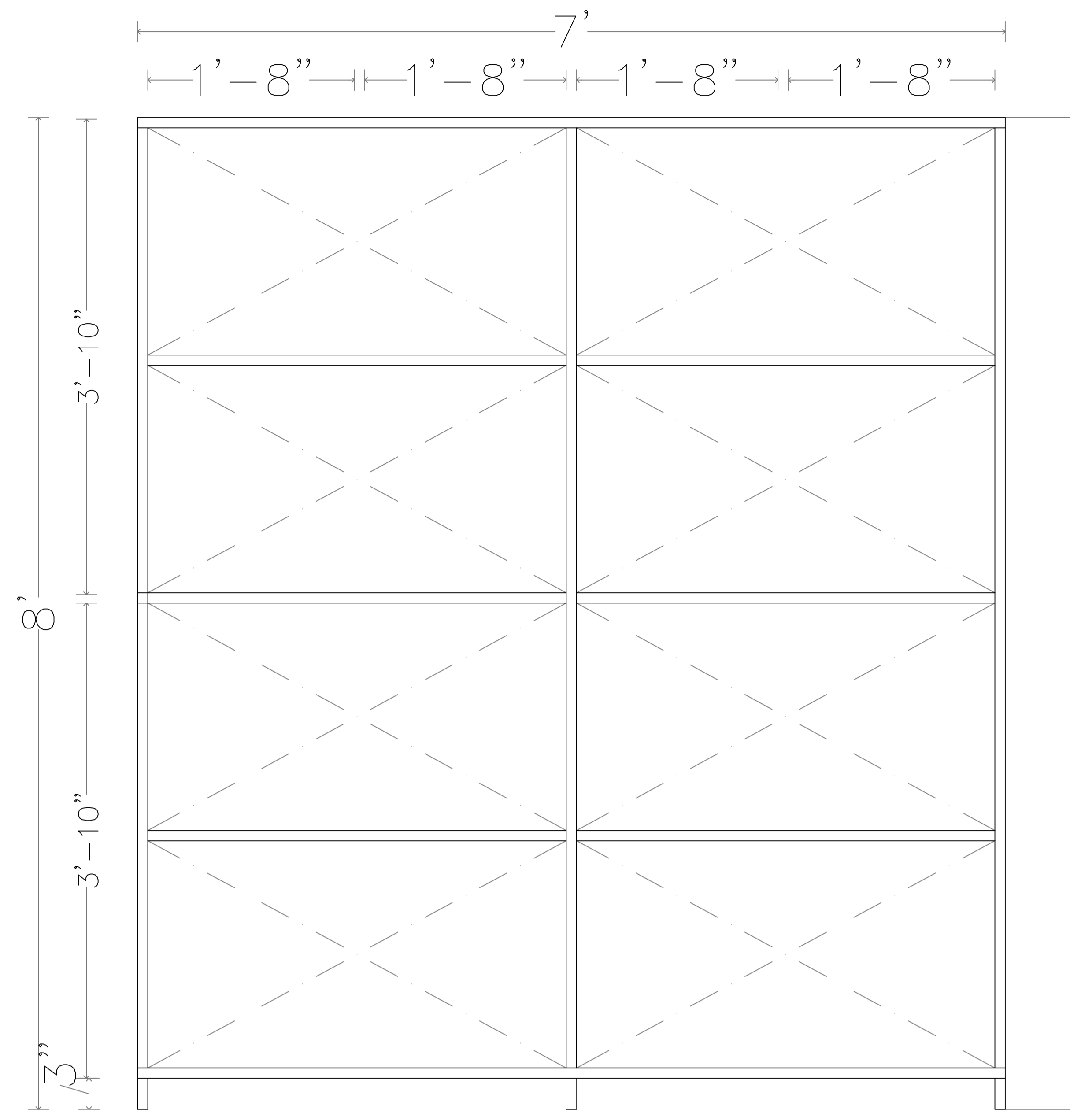
DETAIL

NOTE- M/S ARCHIVENTIONS- ARCHITECTS & ENGINEERS RESERVES THE COPYRIGHT OF THE DRAWING AND HENCE IT SHOULD NOT BE REPRODUCED OR USED WITHOUT THE PRIOR PERMISSION FROM ARCHIVENTIONS. HOWEVER THE CLIENT MAY USE THE DRAWING FOR FURTHER APPROVAL AND TENDERING PURPOSE FOR THE SAID PROJECT

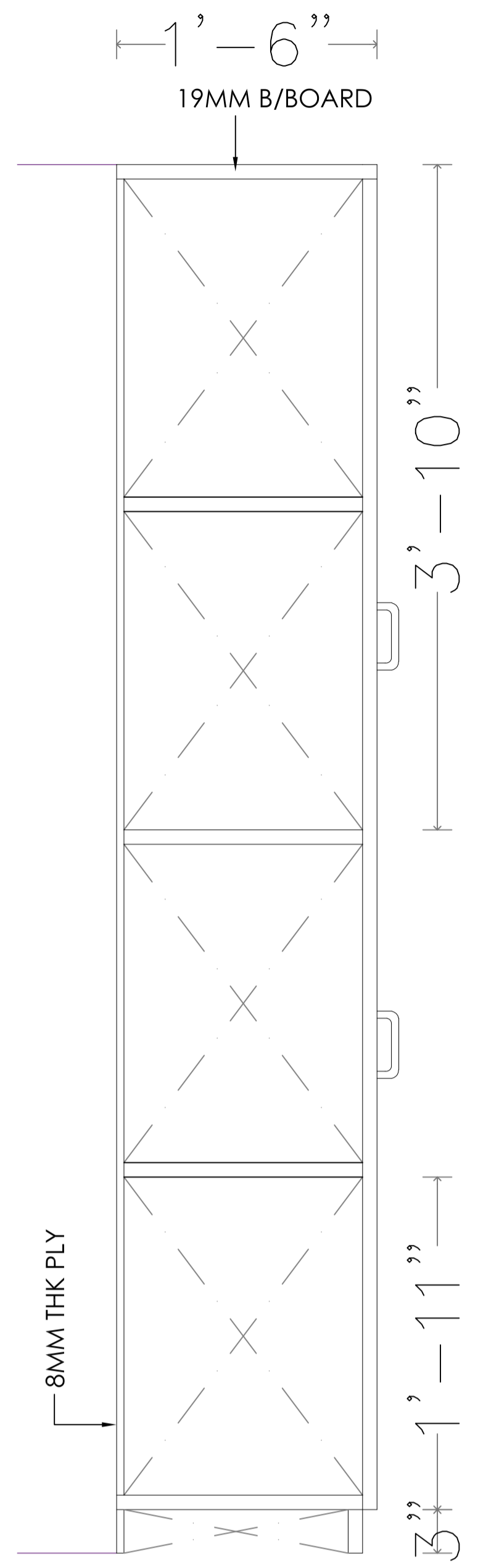
JOB NO.	DATE	SCALE	DEALT BY	CHKD BY	DRG NO.
		N.T.S	AR. DEEPAJ DUTTA	AR. DEBOJYOTI DEBROY	ARC-11



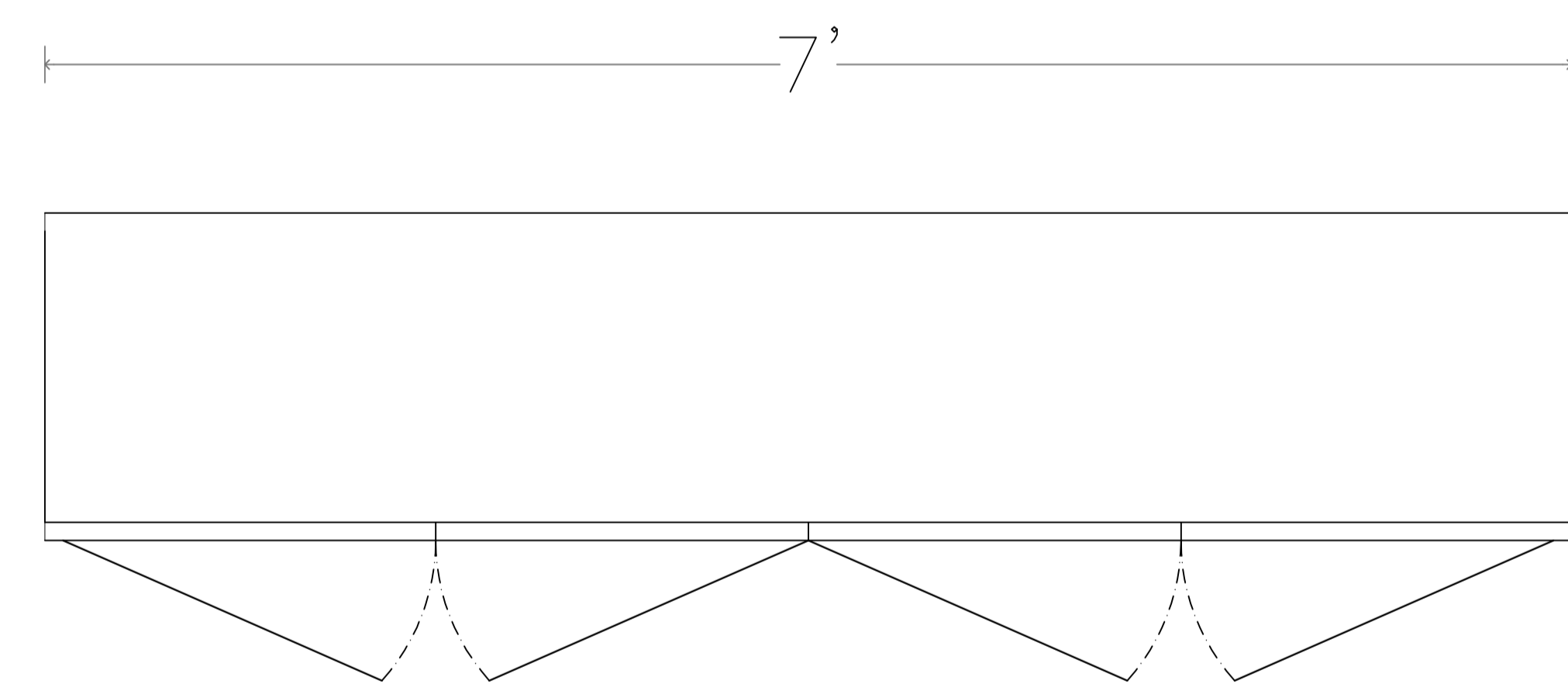
FRONT ELEVATION



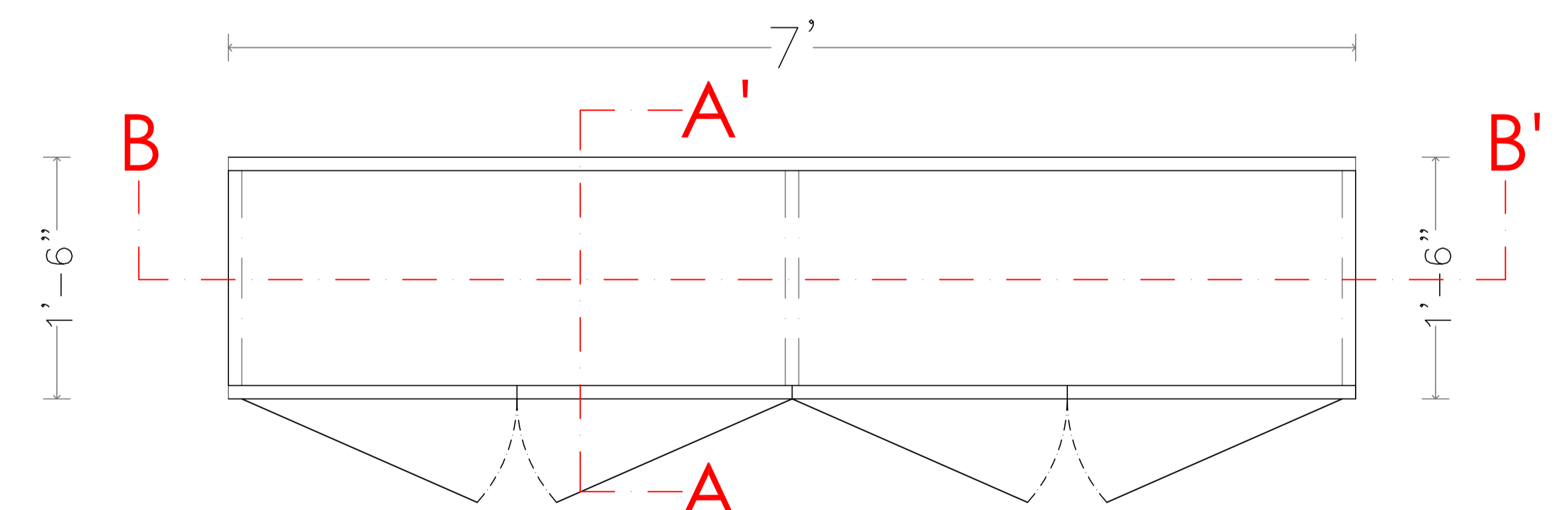
SECTION BB'



SECTION AA'



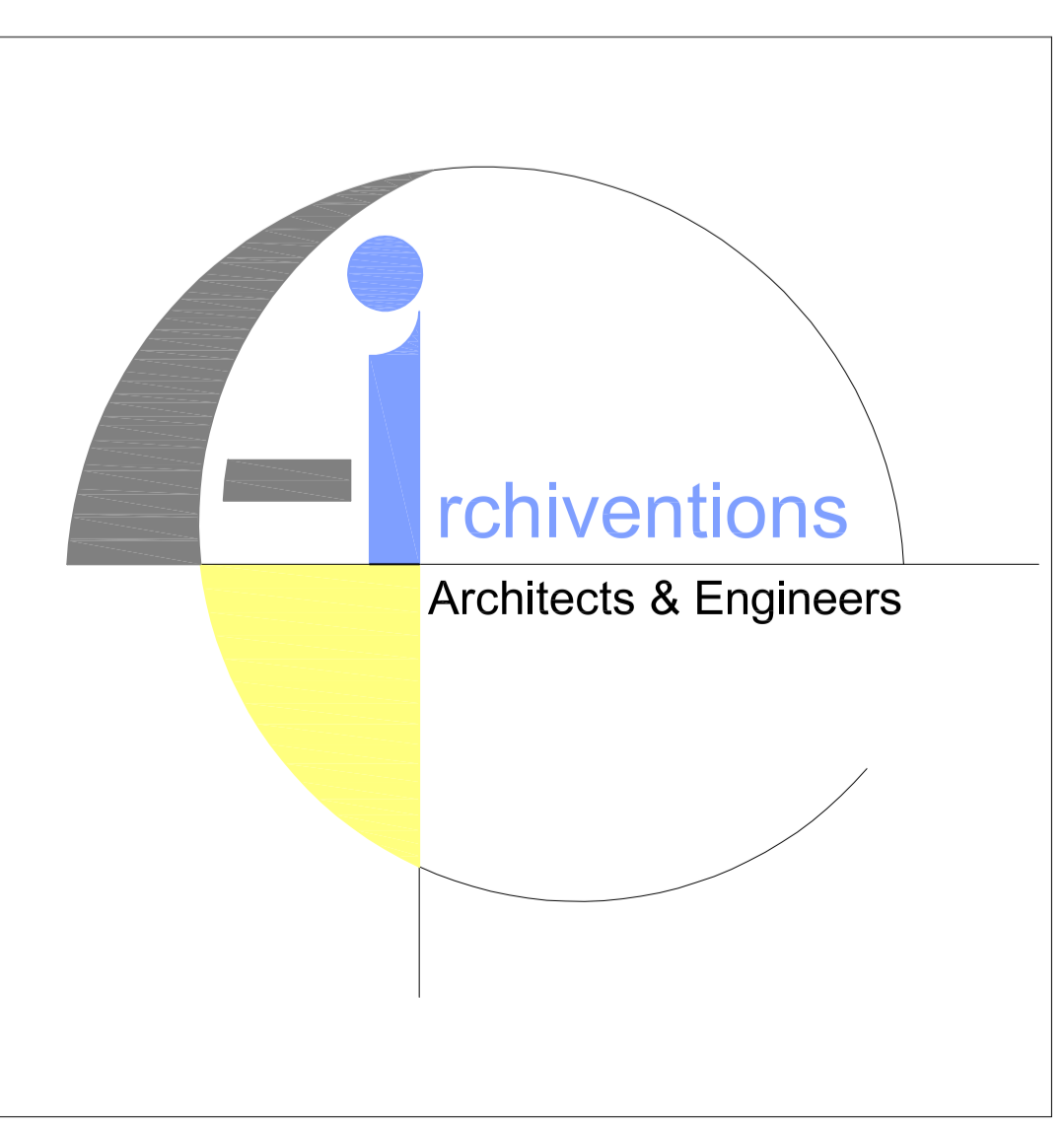
PLAN OF FULL HT STORAGE



PLAN OF FULL HT STORAGE

CLIENT	Description of Proposal.				
ASSAM GRAMIN VIKAS BANK GUWAHATI HEAD OFFICE BHANGAGARH, G.S ROAD	DETAIL OF FULL HEIGHT STORAGE				
DETAIL	NOTE- M/S ARCHIVENTIONS- ARCHITECTS & ENGINEERS RESERVES THE COPYRIGHT OF THE DRAWING AND HENCE IT SHOULD NOT BE REPRODUCED OR USED WITHOUT THE PRIOR PERMISSION FROM ARCHIVENTIONS. HOWEVER THE CLIENT MAY USE THE DRAWING FOR FURTHER APPROVAL AND TENDERING PURPOSE FOR THE SAID PROJECT				
	JOB NO.	DATE	SCALE	DEALT BY	CHKD BY
			N.T.S	AR. DEEPAJ DUTTA	AR. DEBOJYOTI DEBROY
				DRG NO.	ARC-12

SIGN & STAMP



FIRM NAME & ADDRESS

ARCHIVENTIONS
Architects , Planners & Interior Designers
C.O.A. Regd. No.- CA / 2004 / 32922
Associate Member, IIA Regdn No- 17418

ADDRESS
Above Kalita Enterprises, 1st Floor
Bank of India Zoo Road Branch Building
Zunali, R.G. Baruah Road, Guwahati-781024
Ph- +91-361-2970463 / +91-9854062928
email- debojyoti@archiventions.com

4" STAINLESS STEEL DRAWER HANDLE

SHUTTER FINISH WITH LAMINATE (Light)

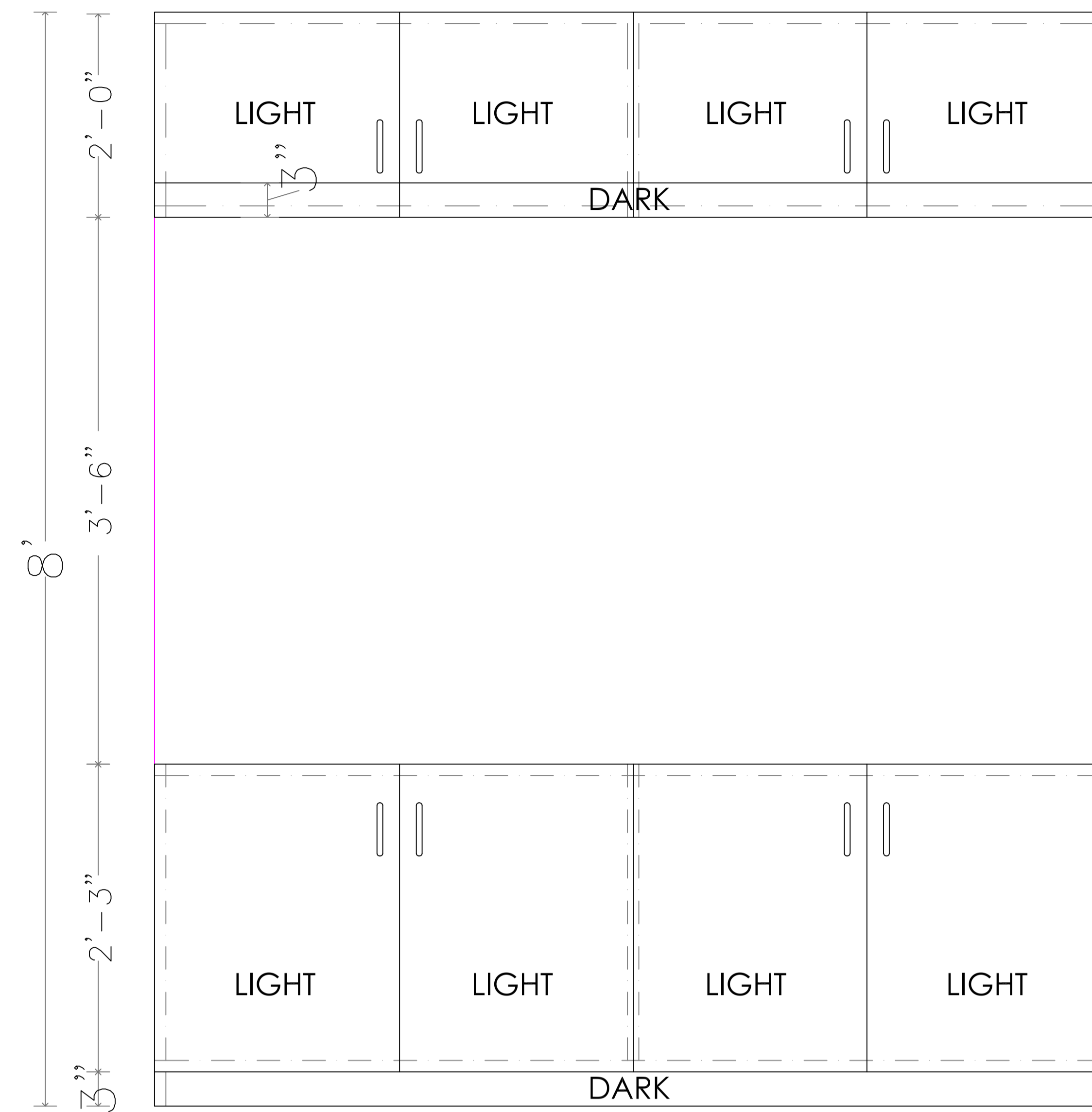
SKIRTING FINISH WITH LAMINATE (Dark)

STORAGE TOP FINISH WITH LAMINATE (light)

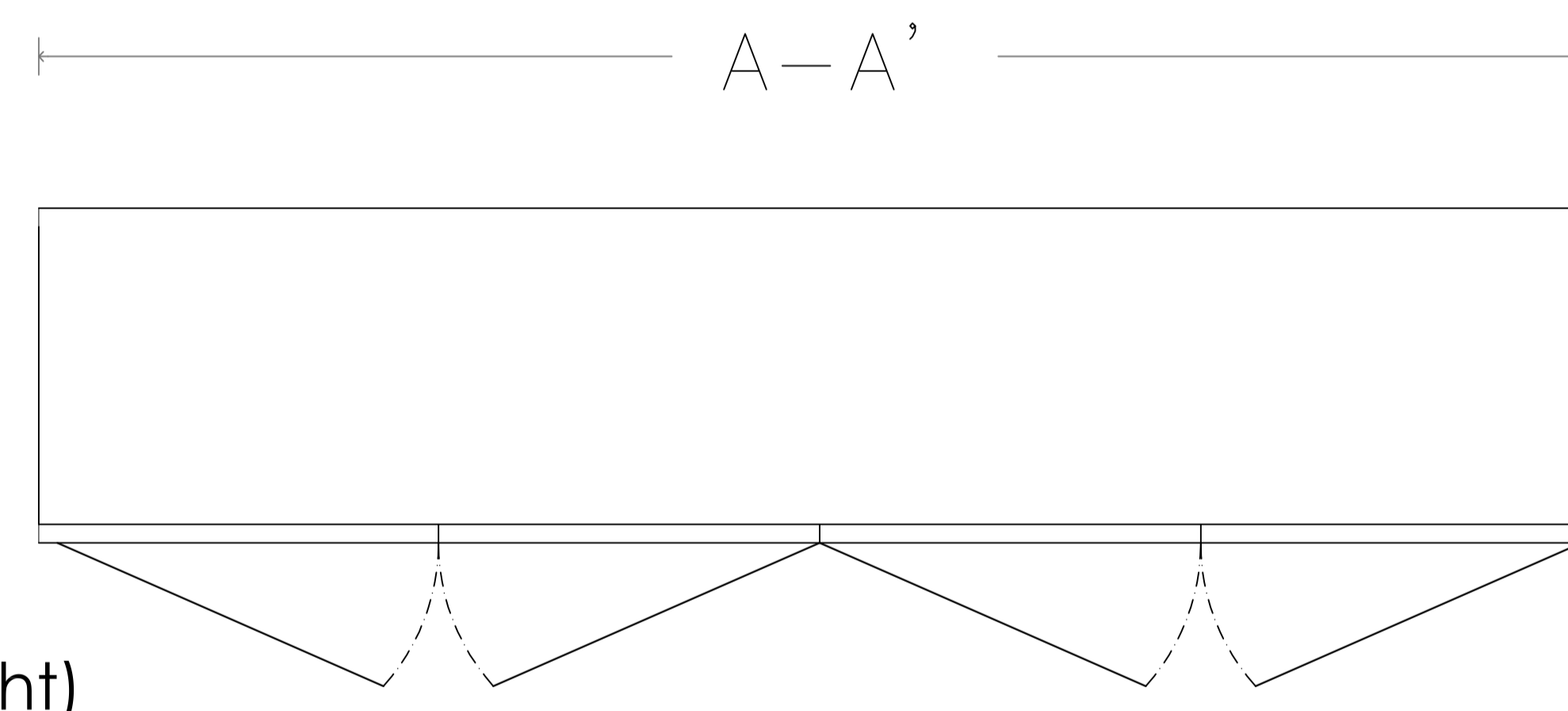
SKIRTING FINISH WITH LAMINATE (Dark)

SHUTTER FINISH WITH LAMINATE (Light)

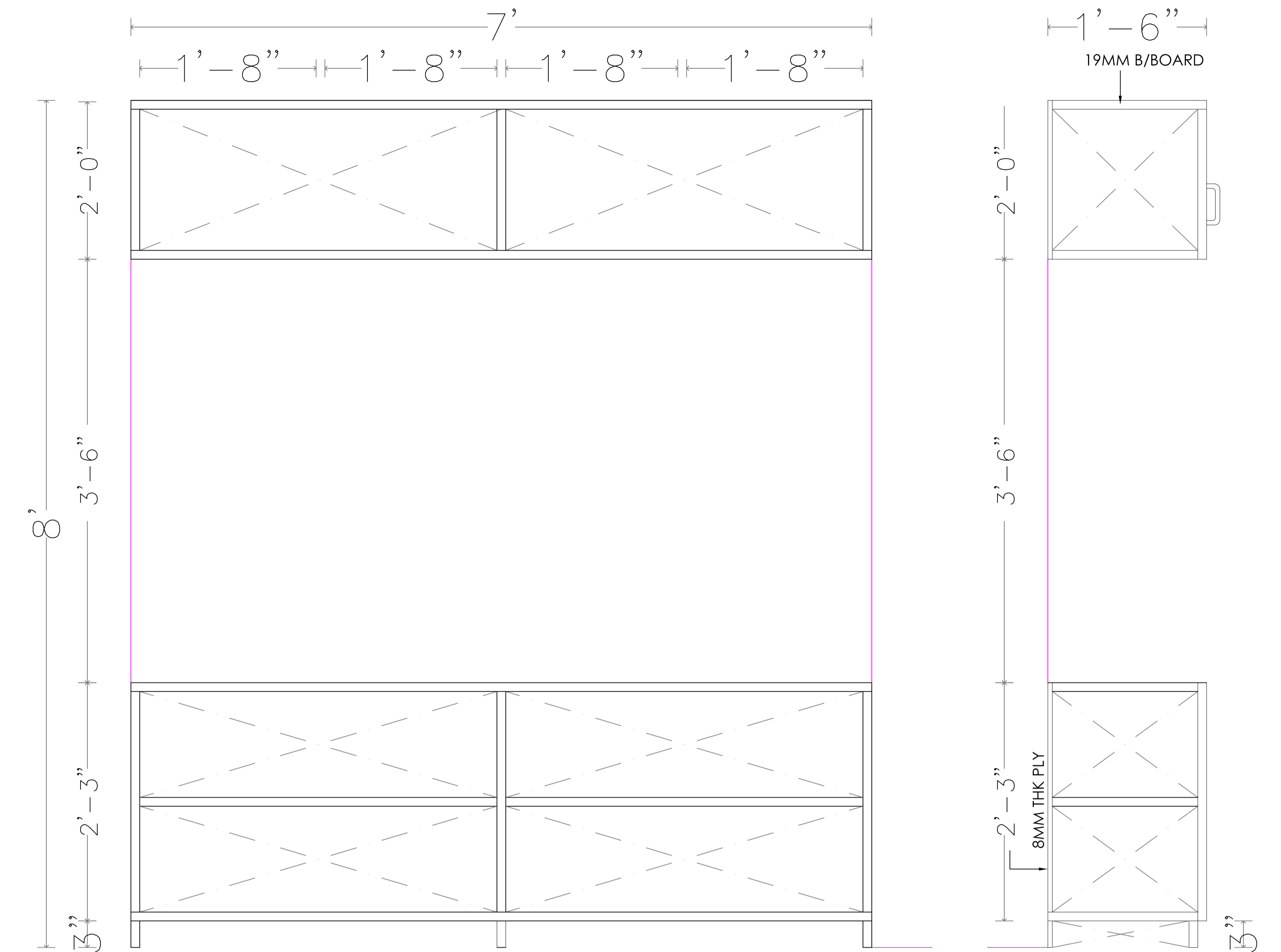
ISOMETRIC VIEW



FRONT ELEVATION

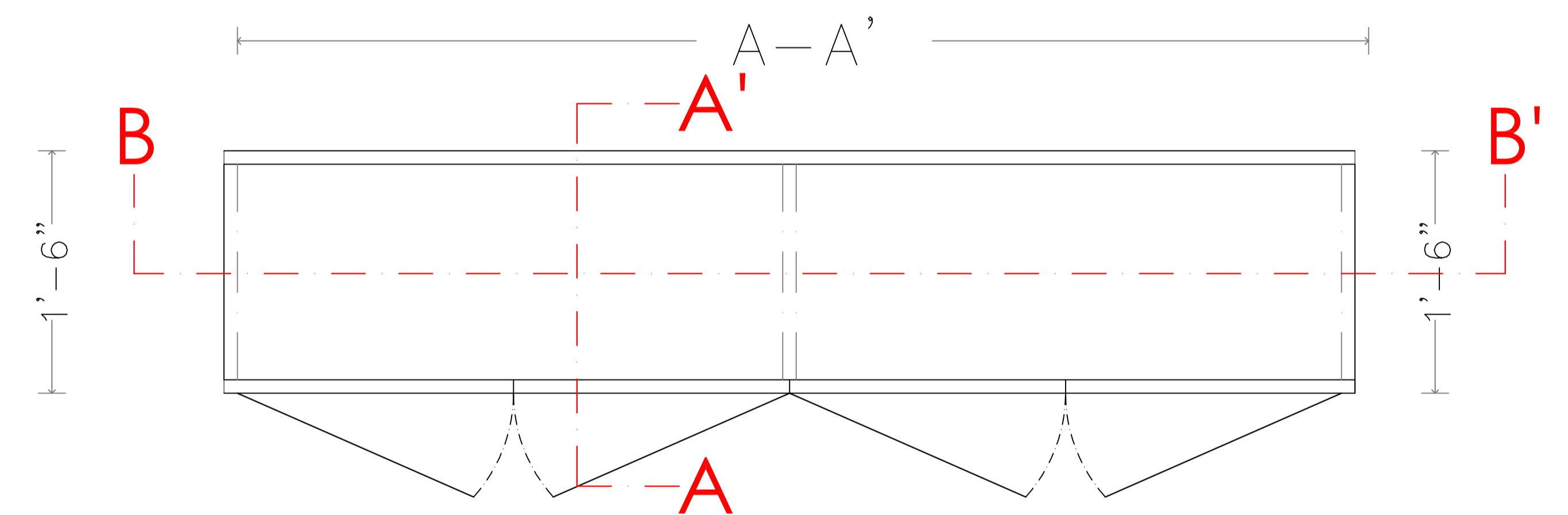


PLAN OF LOW HT STORAGE WITH OVER HEAD STORAGE



SECTION BB'

SECTION AA'



PLAN OF LOW HT STORAGE WITH OVER HEAD STORAGE

CLIENT	Description of Proposal.				
ASSAM GRAMIN VIKAS BANK GUWAHATI HEAD OFFICE BHANGAGARH, G.S ROAD	DETAIL OF LOW HT. & OVER HT. STORAGE				
DETAIL	NOTE- M/S ARCHIVENTIONS- ARCHITECTS & ENGINEERS RESERVES THE COPYRIGHT OF THE DRAWING AND HENCE IT SHOULD NOT BE REPRODUCED OR USED WITHOUT THE PRIOR PERMISSION FROM ARCHIVENTIONS. HOWEVER THE CLIENT MAY USE THE DRAWING FOR FURTHER APPROVAL AND TENDERING PURPOSE FOR THE SAID PROJECT				
	JOB NO.	DATE	SCALE	DEALT BY	CHKD BY
			N.T.S	AR. DEEPAJ DUTTA	AR. DEBOJYOTI DEBROY
				DRG NO.	ARC-14

SIGN & STAMP

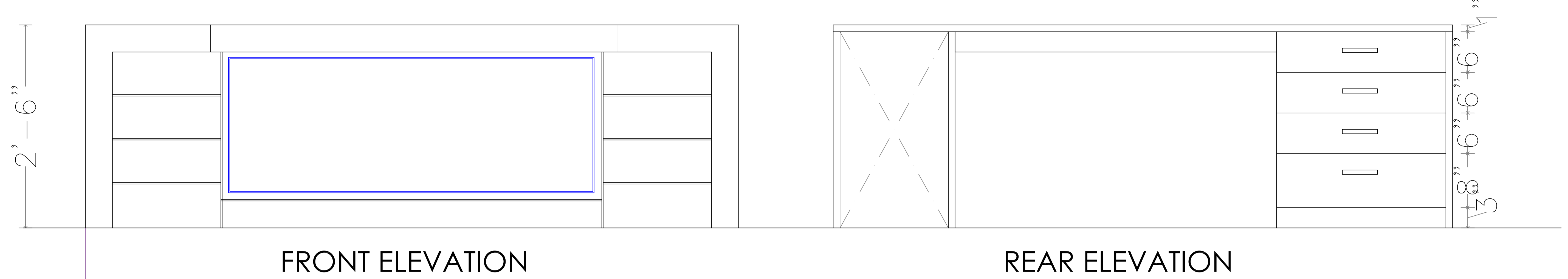


FIRM NAME & ADDRESS
ARCHIVENTIONS
 Architects , Planners & Interior Designers
 C.O.A. Regd. No.- CA / 2004 / 32922
 Associate Member, IIA Regdn No- 17418
ADDRESS
 Above Kalita Enterprises, 1st Floor
 Bank of India Zoo Road Branch Building
 Zunali, R.G. Baruah Road, Guwahati-781024
 Ph- +91-361-2970463 / +91-9854062928
 email- debojyoti@archiventions.com

12MM BEVELLED GLASS OVER TABLE TOP FINISHED WITH WOOD GRAIN TEXTURE LAMINATE

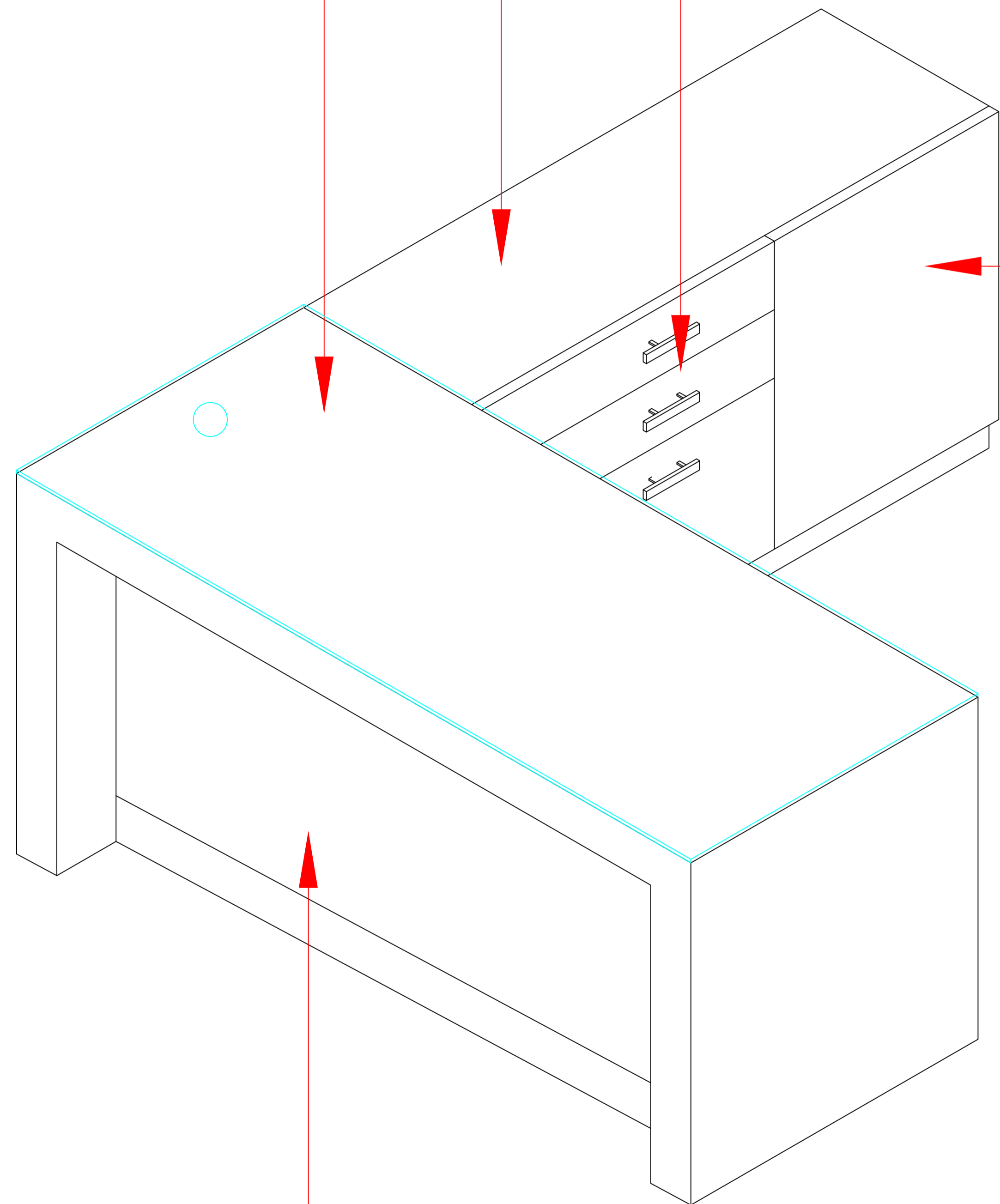
STORAGE TOP FINISH
WOOD GRAIN
TEXTURE LAMINATE

SHUTTER FINISH
WOOD GRAIN
TEXTURE LAMINATE

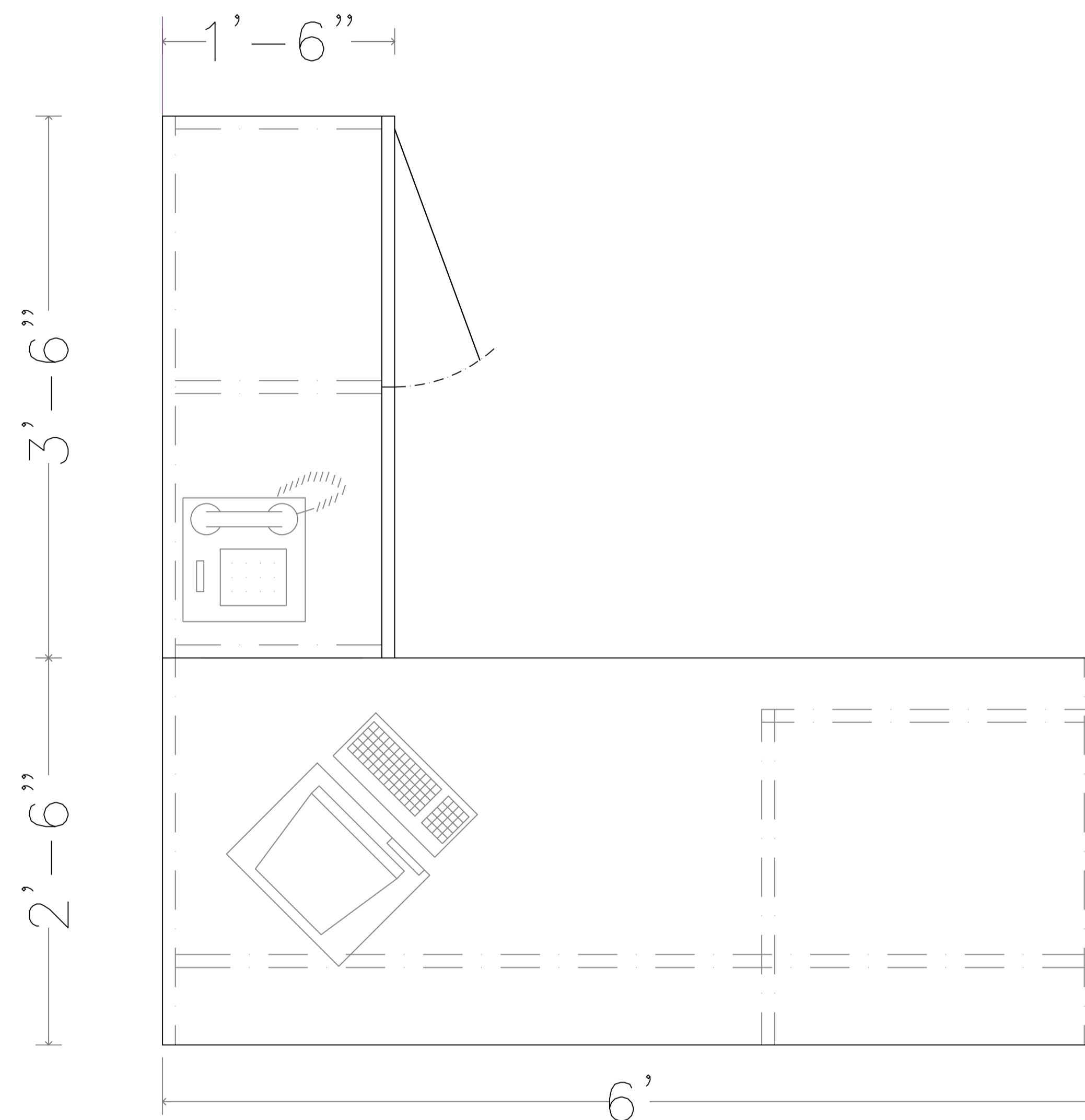


FRONT ELEVATION

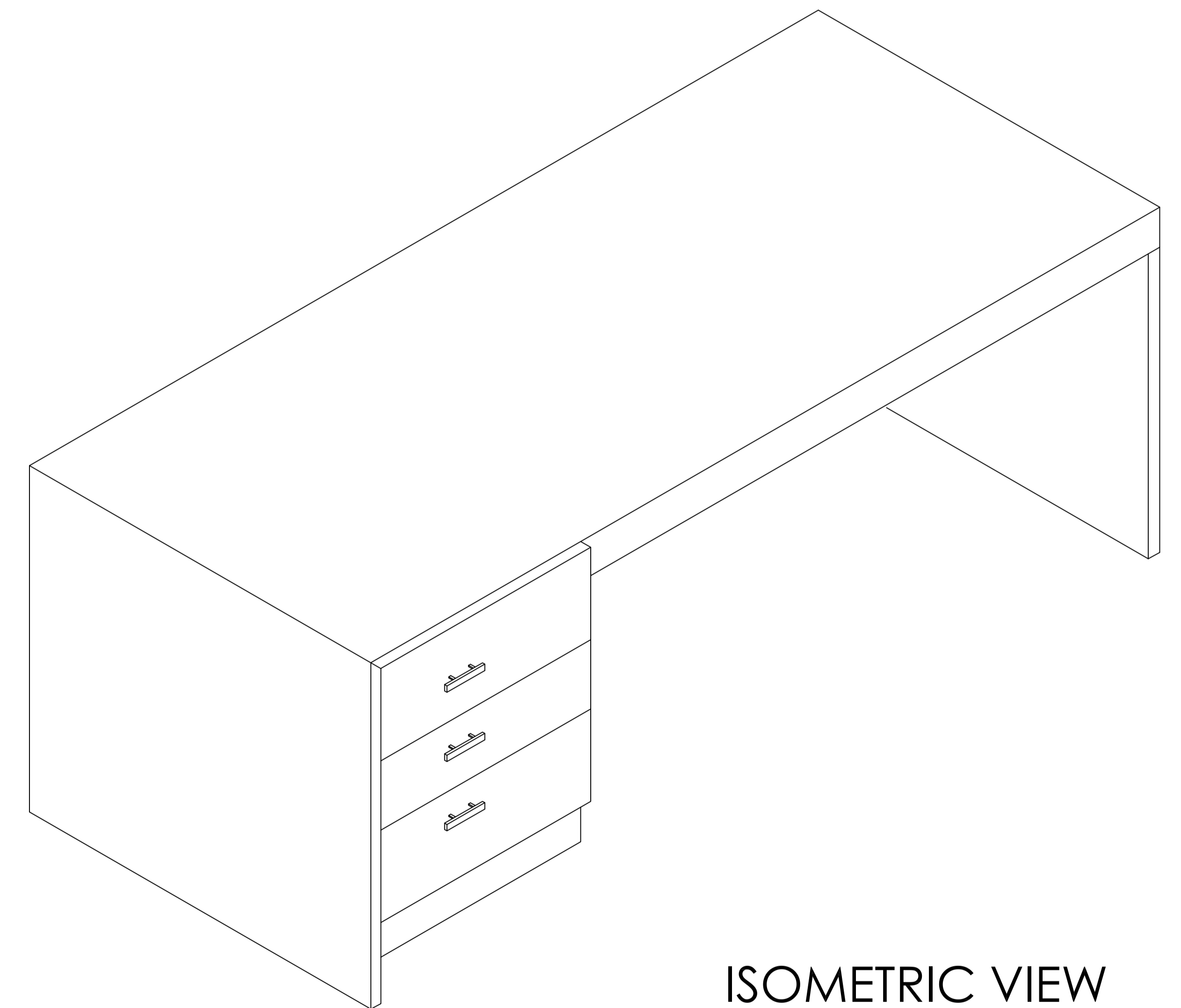
REAR ELEVATION



ISOMETRIC VIEW



PLAN

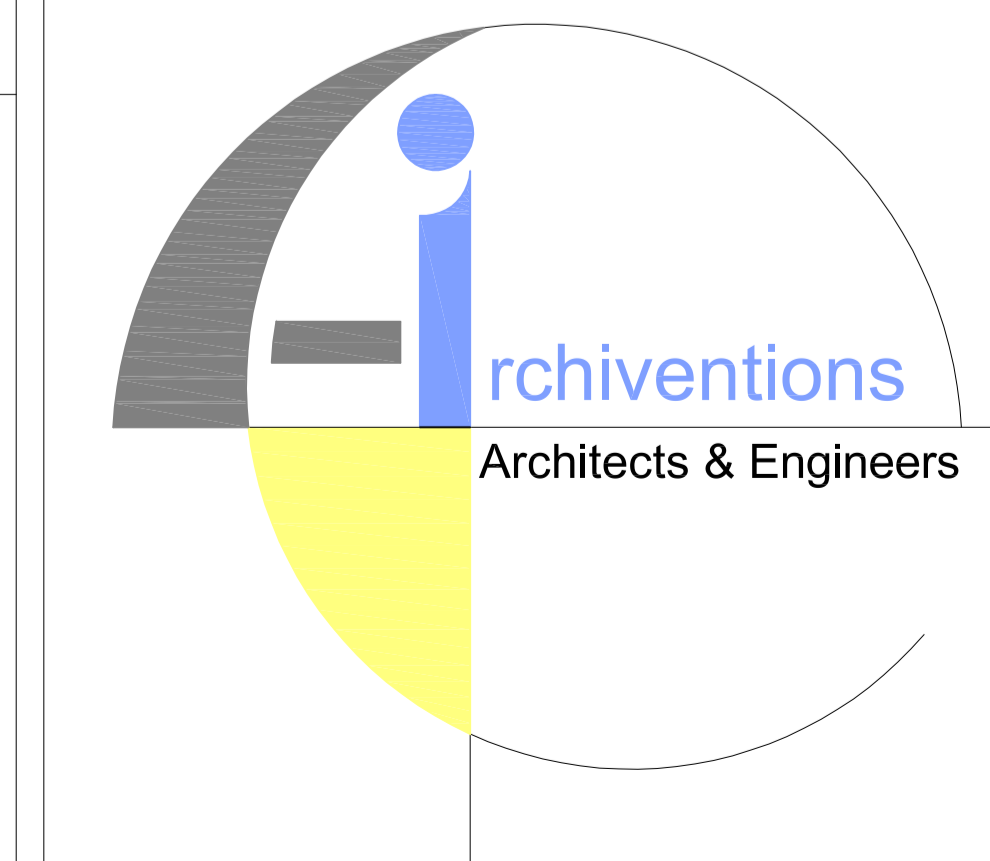


ISOMETRIC VIEW

ACRYLIC SHEET ON S S STUD WITH COLOURED LOGO

CLIENT	Description of Proposal.				
ASSAM GRAMIN VIKAS BANK GUWAHATI HEAD OFFICE BHANGAGARH, G.S ROAD	DETAILS OF GENERAL MANAGER'S TABLE				
DETAIL	NOTE- M/S ARCHIVENTIONS- ARCHITECTS & ENGINEERS RESERVES THE COPYRIGHT OF THE DRAWING AND HENCE IT SHOULD NOT BE REPRODUCED OR USED WITHOUT THE PRIOR PERMISSION FROM ARCHIVENTIONS. HOWEVER THE CLIENT MAY USE THE DRAWING FOR FURTHER APPROVAL AND TENDERING PURPOSE FOR THE SAID PROJECT				
	JOB NO.	DATE	SCALE	DEALT BY	CHKD BY
			N.T.S	AR. DEEPAJ DUTTA	AR. DEBOJYOTI DEBROY
				DRG NO.	ARC-15

SIGN & STAMP



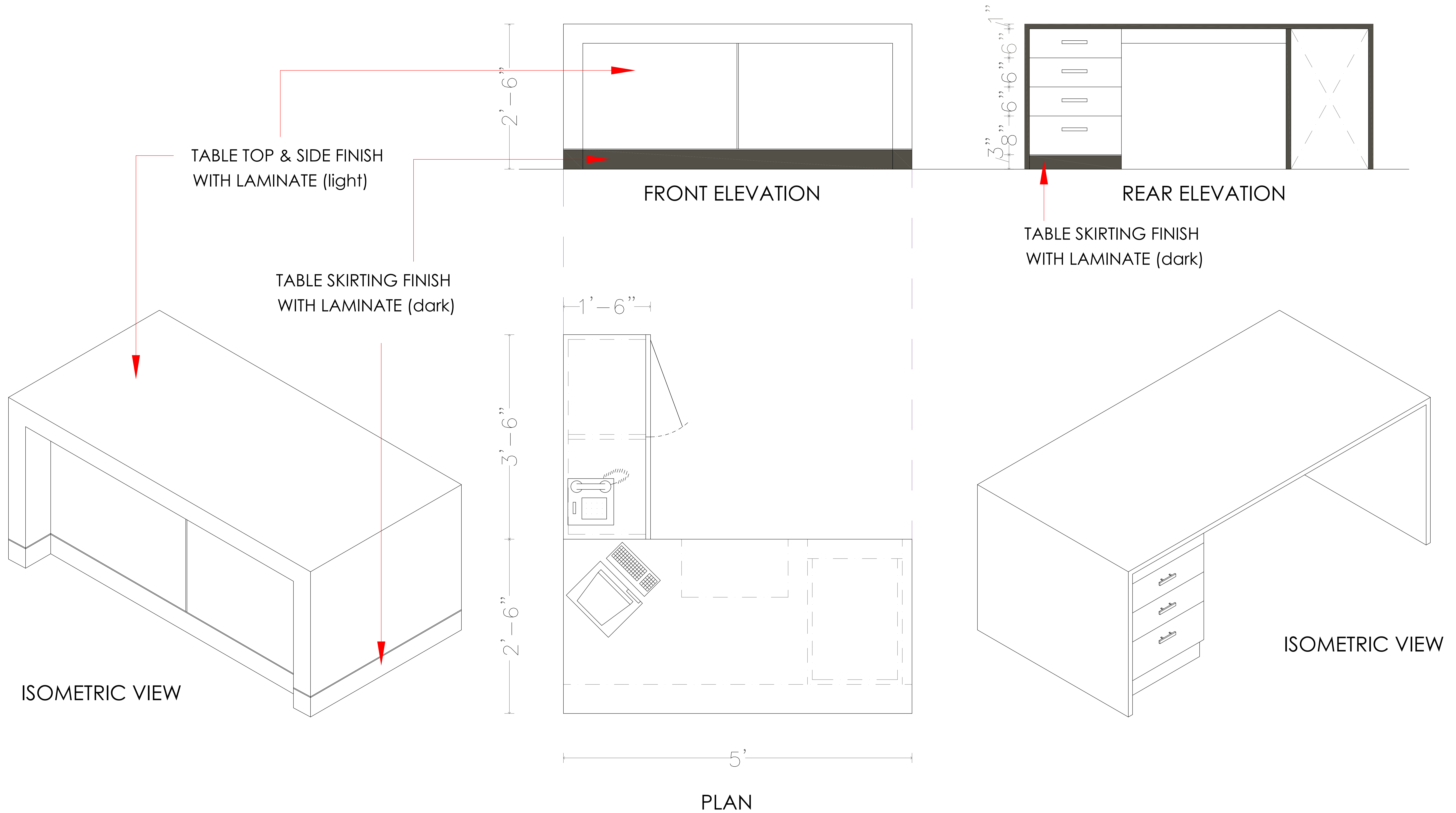
FIRM NAME & ADDRESS

ARCHIVENTIONS

Architects , Planners & Interior Designers
C.O.A. Regd. No.- CA / 2004 / 32922
Associate Member, IIA Regdn No- 17418

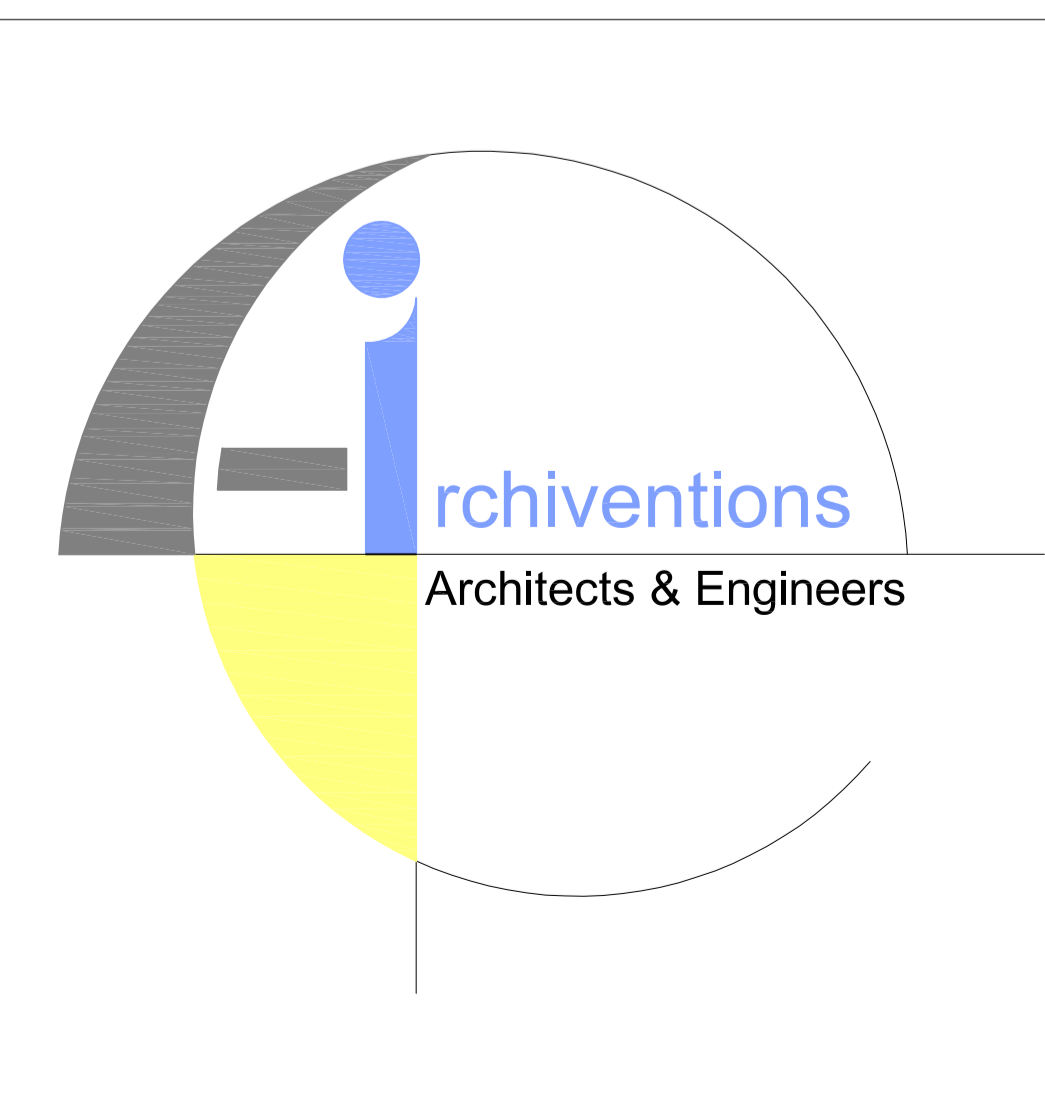
ADDRESS

Above Kalita Enterprises, 1st Floor
Bank of India Zoo Road Branch Building
Zunali, R.G. Baruah Road, Guwahati-781024
Ph- +91-361-2970463 / +91-9854062928
email- debojyoti@archiventions.com



CLIENT	Description of Proposal.				
ASSAM GRAMIN VIKAS BANK GUWAHATI HEAD OFFICE BHANGGARH, G.S ROAD	DETAILS OF SR. MANAGER/ OFFICER TABLE				
DETAIL	NOTE- M/S ARCHIVENTIONS- ARCHITECTS & ENGINEERS RESERVES THE COPYRIGHT OF THE DRAWING AND HENCE IT SHOULD NOT BE REPRODUCED OR USED WITHOUT THE PRIOR PERMISSION FROM ARCHIVENTIONS. HOWEVER THE CLIENT MAY USE THE DRAWING FOR FURTHER APPROVAL AND TENDERING PURPOSE FOR THE SAID PROJECT				
	JOB NO.	DATE	SCALE	DEALT BY	CHKD BY
			N.T.S	AR. DEEPAJ DUTTA	AR. DEBOJYOTI DEBROY
				DRG NO.	ARC-17

SIGN & STAMP

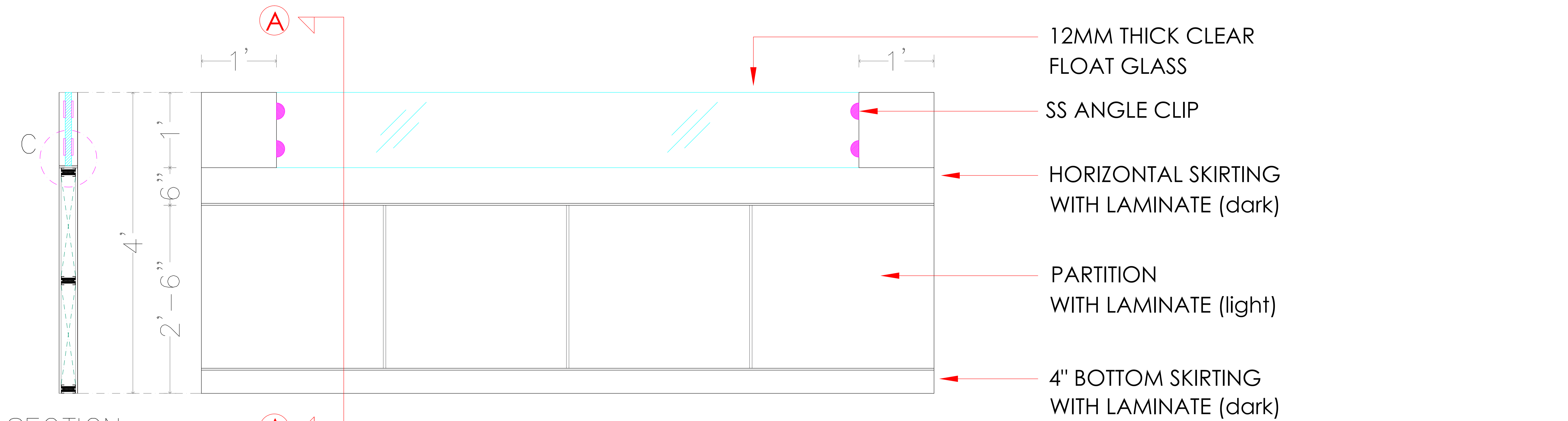


FIRM NAME & ADDRESS

ARCHIVENTIONS

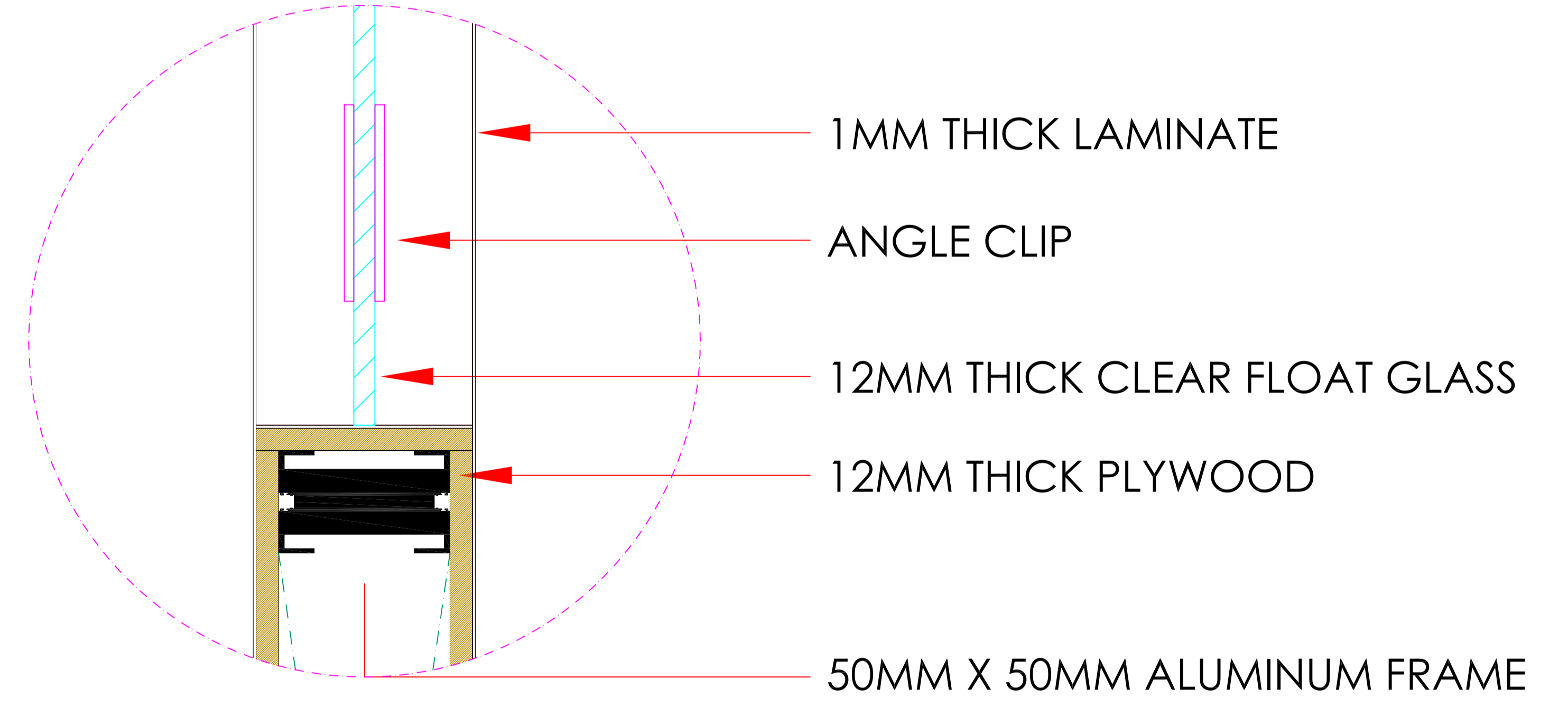
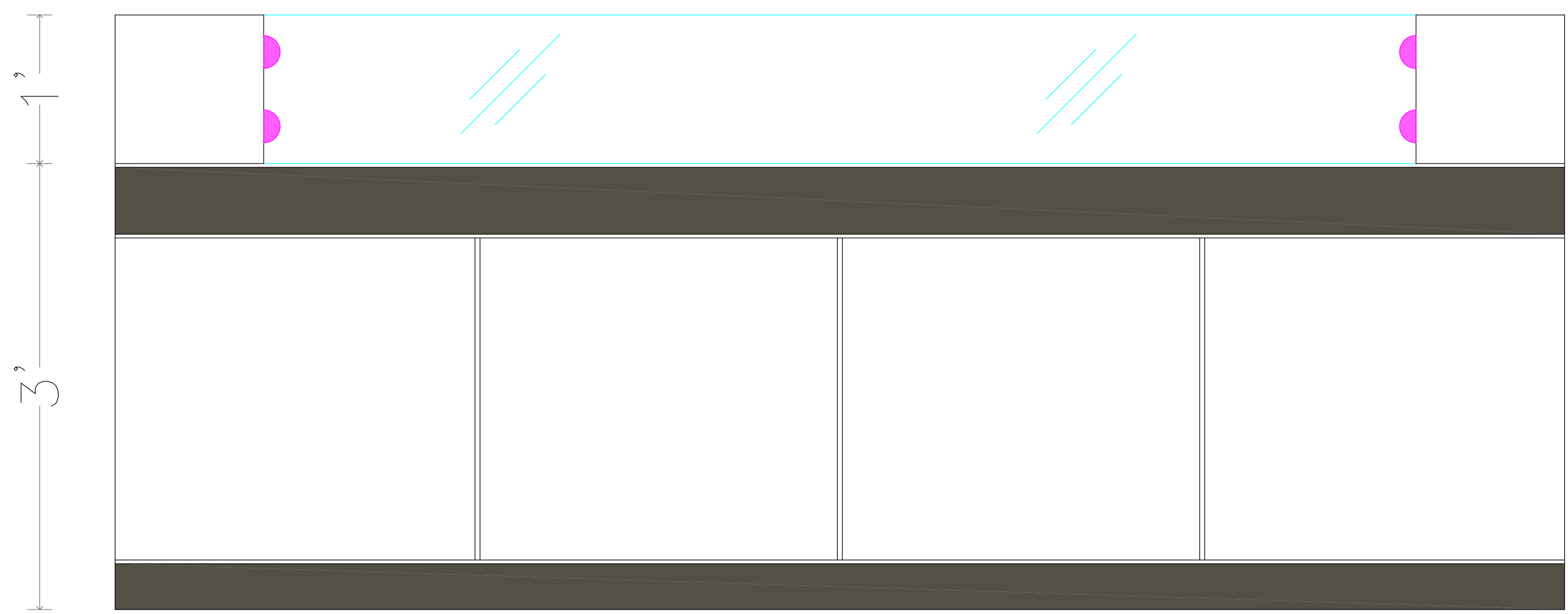
Architects , Planners & Interior Designers
C.O.A. Regd. No.- CA / 2004 / 32922
Associate Member, IIA Regdn No- 17418

ADDRESS
Above Kalita Enterprises, 1st Floor
Bank of India Zoo Road Branch Building
Zunali, R.G. Baruah Road, Guwahati-781024
Ph- +91-361-2970463 / +91-9854062928
email- debojyoti@archiventions.com

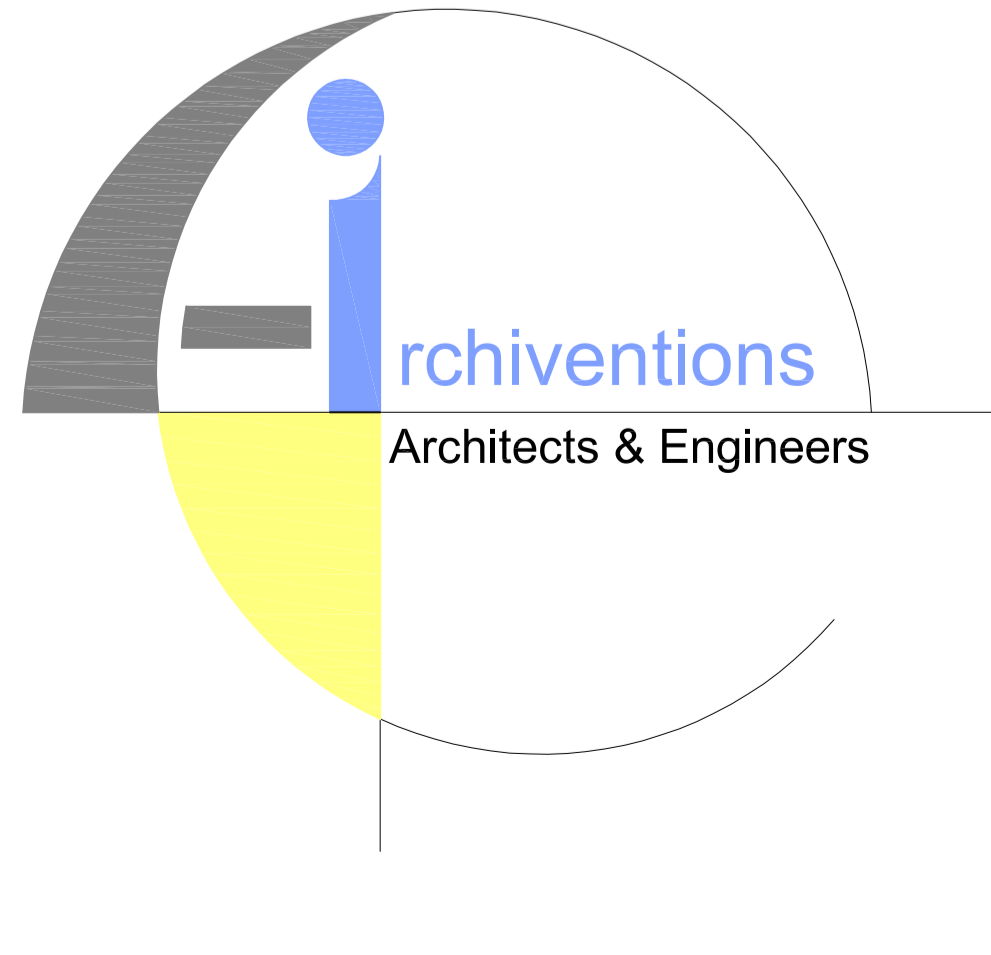


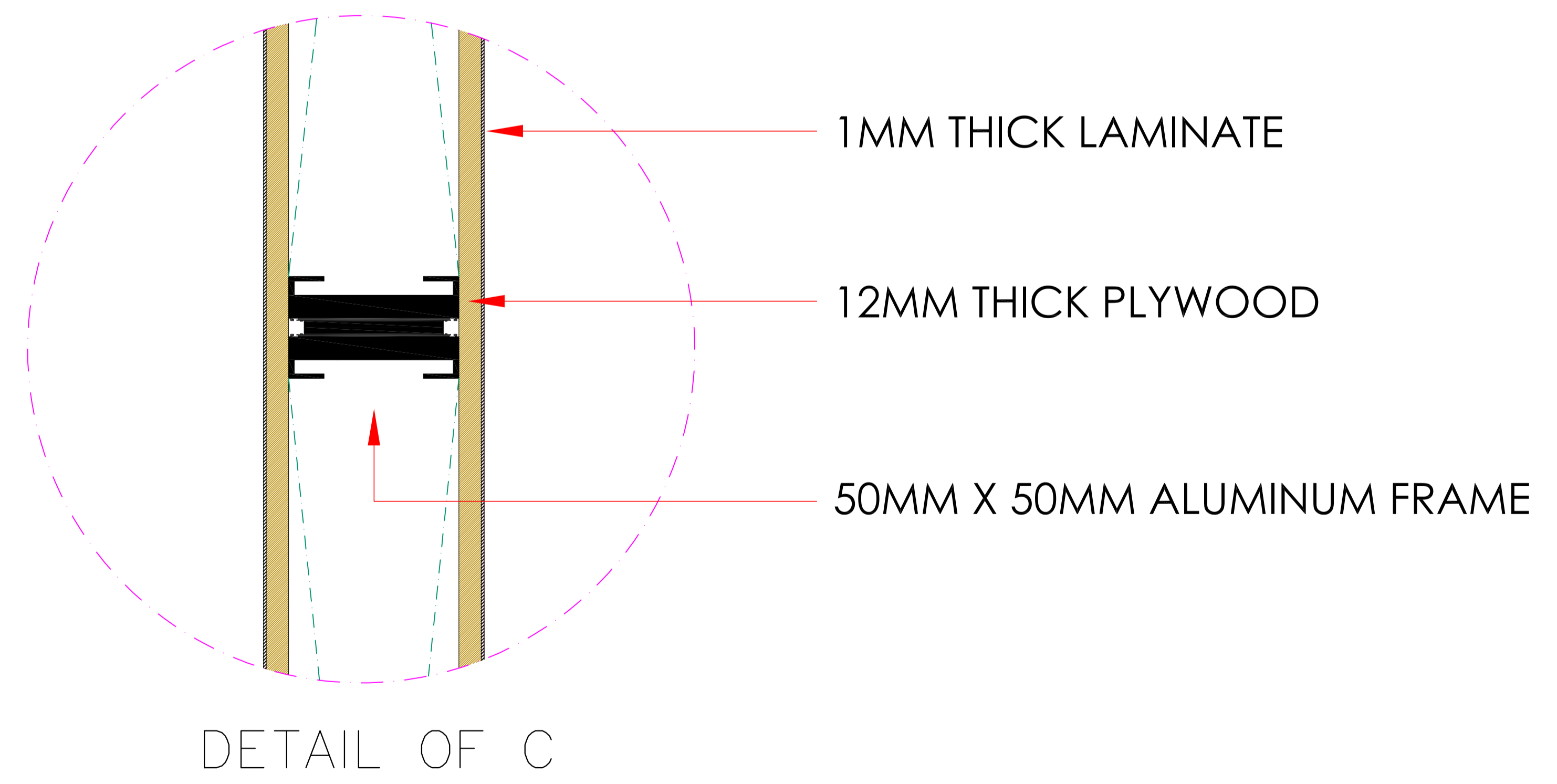
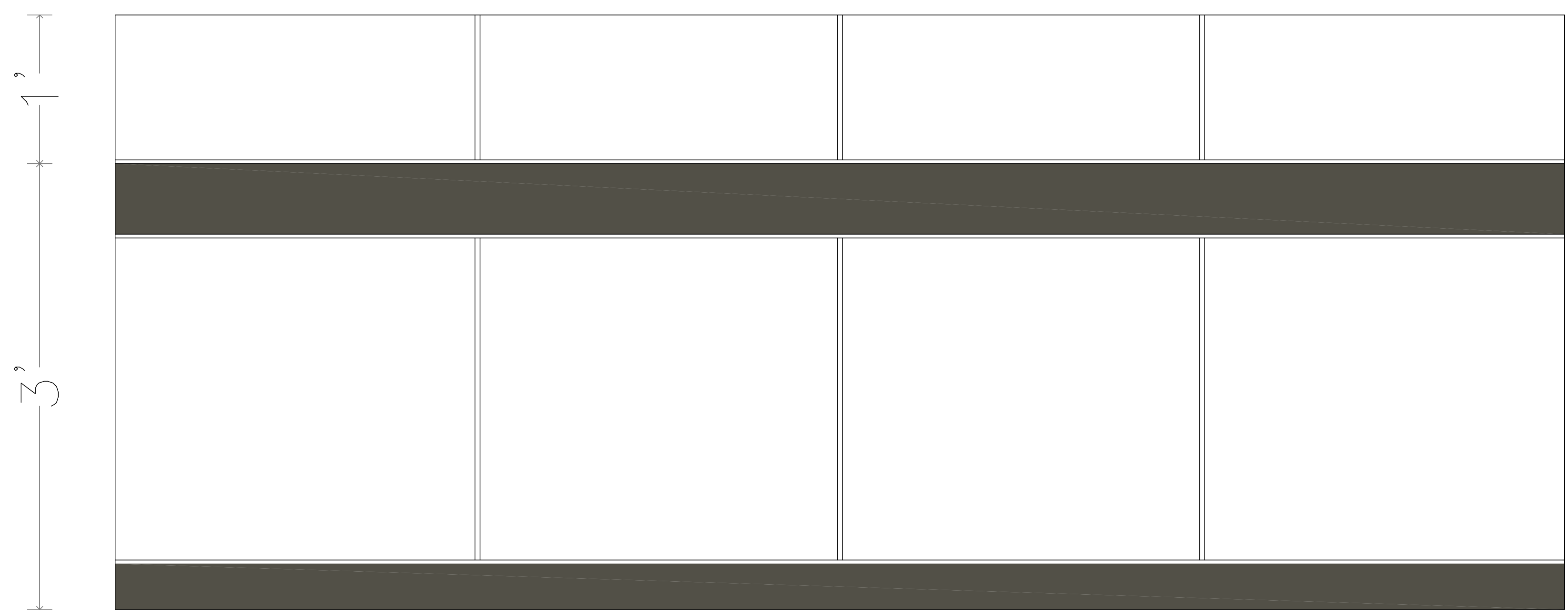
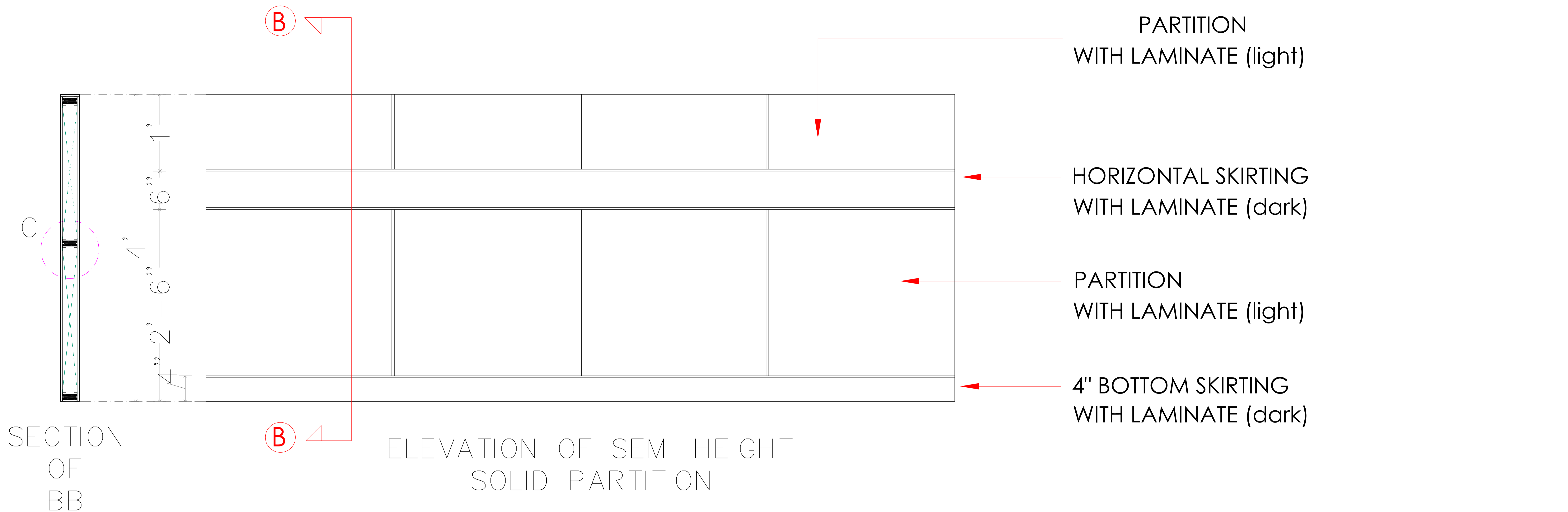
SECTION OF AA

ELEVATION OF SEMI HEIGHT SEMI GLAZED PARTITION



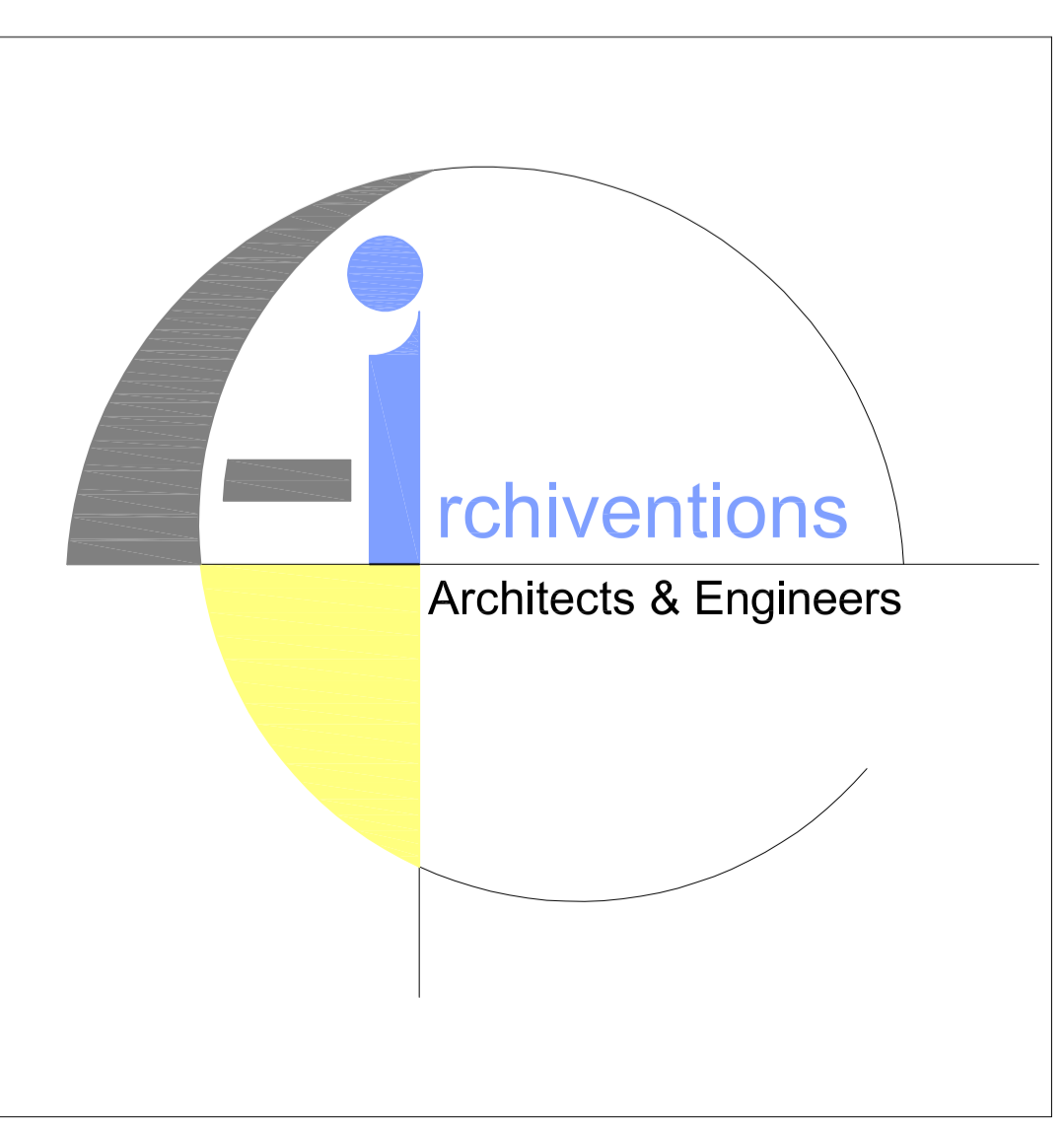
DETAIL OF C

CLIENT	Description of Proposal.					SIGN & STAMP		FIRM NAME & ADDRESS	
ASSAM GRAMIN VIKAS BANK GUWAHATI HEAD OFFICE BHANGAGARH, G.S ROAD	DETAILS OF SEMI HT SEMI GLAZED PARTITION							ARCHIVENTIONS Architects , Planners & Interior Designers C.O.A. Regd. No.- CA / 2004 / 32922 Associate Member, IIA Regdn No- 17418	
DETAIL	<small>NOTE- M/S ARCHIVENTIONS- ARCHITECTS & ENGINEERS RESERVES THE COPYRIGHT OF THE DRAWING AND HENCE IT SHOULD NOT BE REPRODUCED OR USED WITHOUT THE PRIOR PERMISSION FROM ARCHIVENTIONS. HOWEVER THE CLIENT MAY USE THE DRAWING FOR FURTHER APPROVAL AND TENDERING PURPOSE FOR THE SAID PROJECT</small>							ADDRESS Above Kalita Enterprises, 1st Floor Bank of India Zoo Road Branch Building Zunali, R.G. Baruah Road, Guwahati-781024 Ph- +91-361-2970463 / +91-9854062928 email- debojyoti@archiventions.com	
	JOB NO.	DATE	SCALE	DEALT BY	CHKD BY				DRG NO.
			N.T.S	AR. DEEPAJ DUTTA	AR. DEBOJYOTI DEBROY				ARC-18



CLIENT	Description of Proposal.				
ASSAM GRAMIN VIKAS BANK GUWAHATI HEAD OFFICE BHANGAGARH, G.S ROAD	DETAILS OF SEMI HT SOLID PARTITION				
DETAIL	NOTE- M/S ARCHIVENTIONS- ARCHITECTS & ENGINEERS RESERVES THE COPYRIGHT OF THE DRAWING AND HENCE IT SHOULD NOT BE REPRODUCED OR USED WITHOUT THE PRIOR PERMISSION FROM ARCHIVENTIONS. HOWEVER THE CLIENT MAY USE THE DRAWING FOR FURTHER APPROVAL AND TENDERING PURPOSE FOR THE SAID PROJECT				
	JOB NO.	DATE	SCALE	DEALT BY	CHKD BY
			N.T.S	AR. DEEPAJ DUTTA	AR. DEBOJYOTI DEBROY
				DRG NO.	ARC-19

SIGN & STAMP

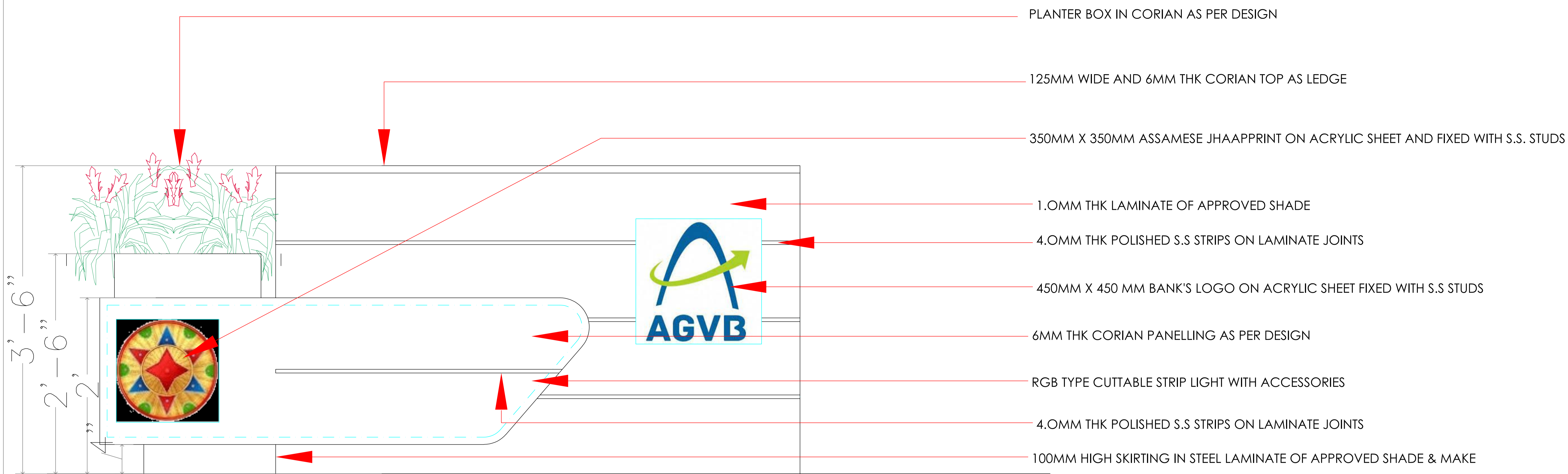


FIRM NAME & ADDRESS

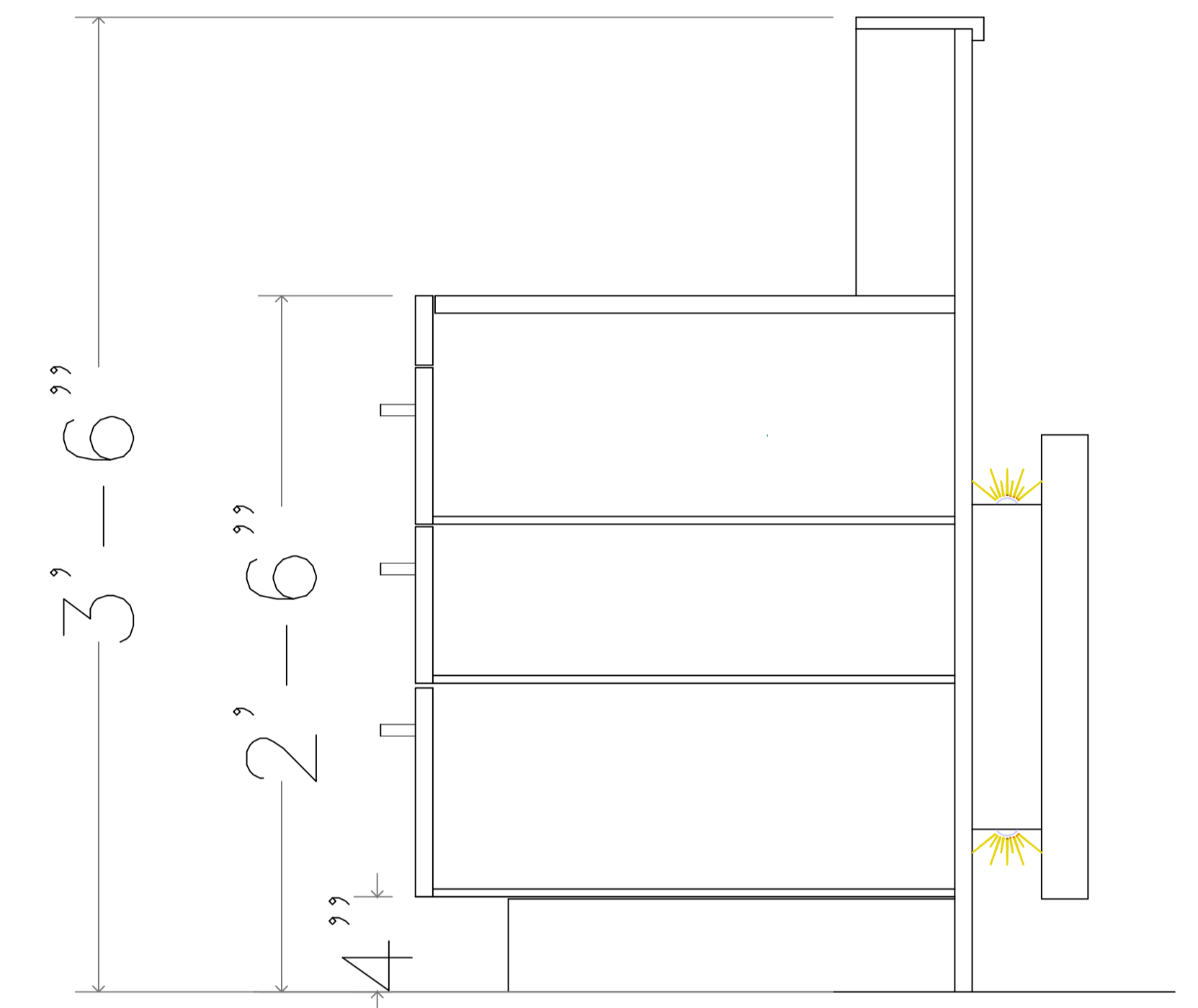
ARCHIVENTIONS

Architects , Planners & Interior Designers
C.O.A. Regd. No.- CA / 2004 / 32922
Associate Member, IIA Regdn No- 17418

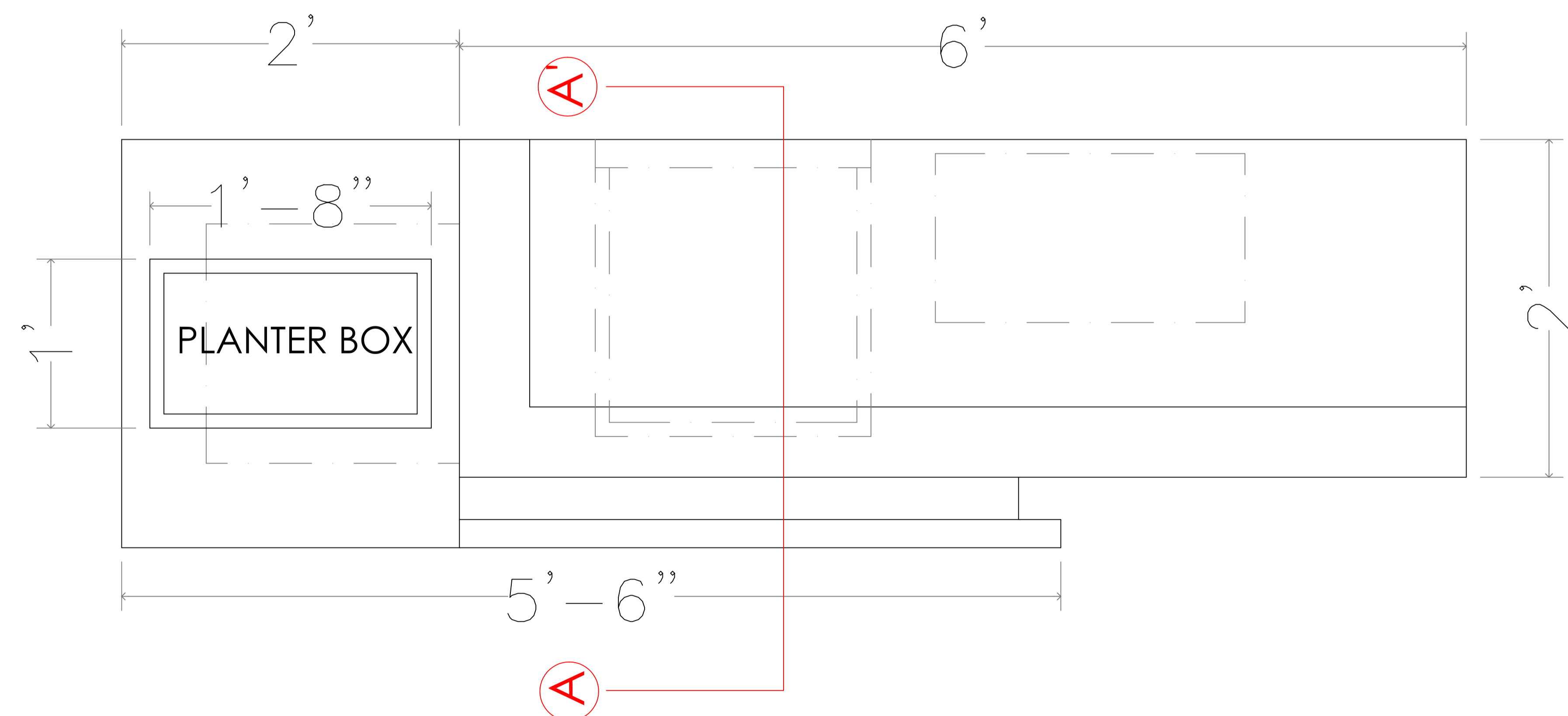
ADDRESS
Above Kalita Enterprises, 1st Floor
Bank of India Zoo Road Branch Building
Zunali, R.G. Baruah Road, Guwahati-781024
Ph- +91-361-2970463 / +91-9854062928
email- debojyoti@archiventions.com



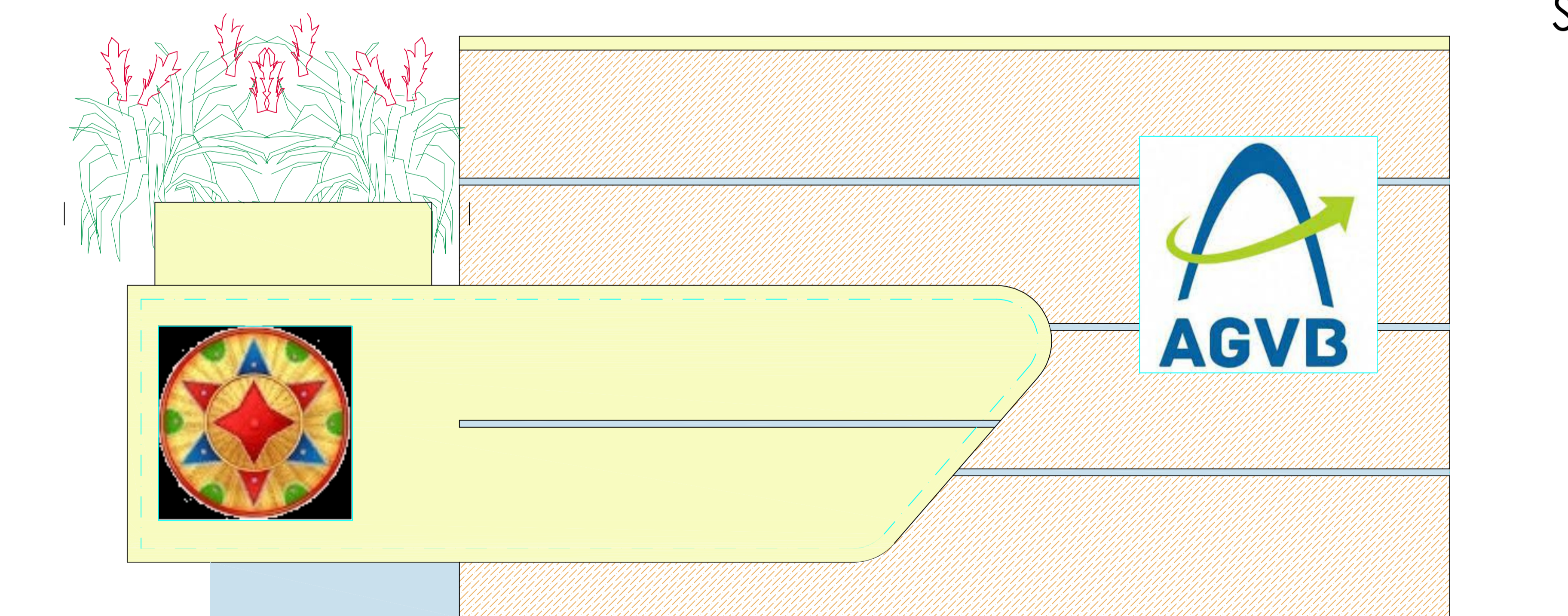
FRONT ELEVATION OF RECEPTION TABLE



SECTION A-A'



PLAN OF RECEPTION TABLE



FRONT ELEVATION OF RECEPTION TABLE

CLIENT	Description of Proposal.				
ASSAM GRAMIN VIKAS BANK GUWAHATI HEAD OFFICE BHANGGARH, G.S ROAD	DETAILS OF RECEPTION TABLE				
DETAIL					
NOTE- M/S ARCHIVENTIONS- ARCHITECTS & ENGINEERS RESERVES THE COPYRIGHT OF THE DRAWING AND HENCE IT SHOULD NOT BE REPRODUCED OR USED WITHOUT THE PRIOR PERMISSION FROM ARCHIVENTIONS. HOWEVER THE CLIENT MAY USE THE DRAWING FOR FURTHER APPROVAL AND TENDERING PURPOSE FOR THE SAID PROJECT					
JOB NO.	DATE	SCALE	DEALT BY	CHKD BY	DRG NO.
		N.T.S	AR. DEEPAJ DUTTA	AR. DEBOJYOTI DEBROY	ARC-

SIGN & STAMP



FIRM NAME & ADDRESS

ARCHIVENTIONS
 Architects , Planners & Interior Designers
 C.O.A. Regd. No.- CA / 2004 / 32922
 Associate Member, IIA Regdn No- 17418

ADDRESS
 Above Kalita Enterprises, 1st Floor
 Bank of India Zoo Road Branch Building
 Zunali, R.G. Baruah Road, Guwahati-781024
 Ph- +91-361-2970463 / +91-9854062928
 email- debojyoti@archiventions.com